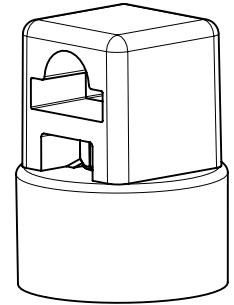
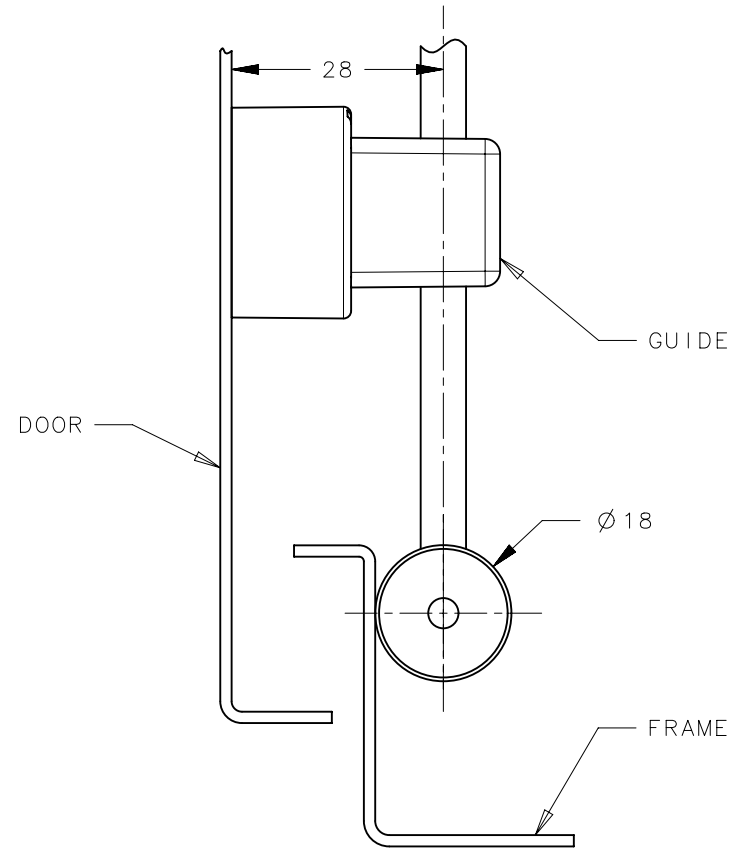
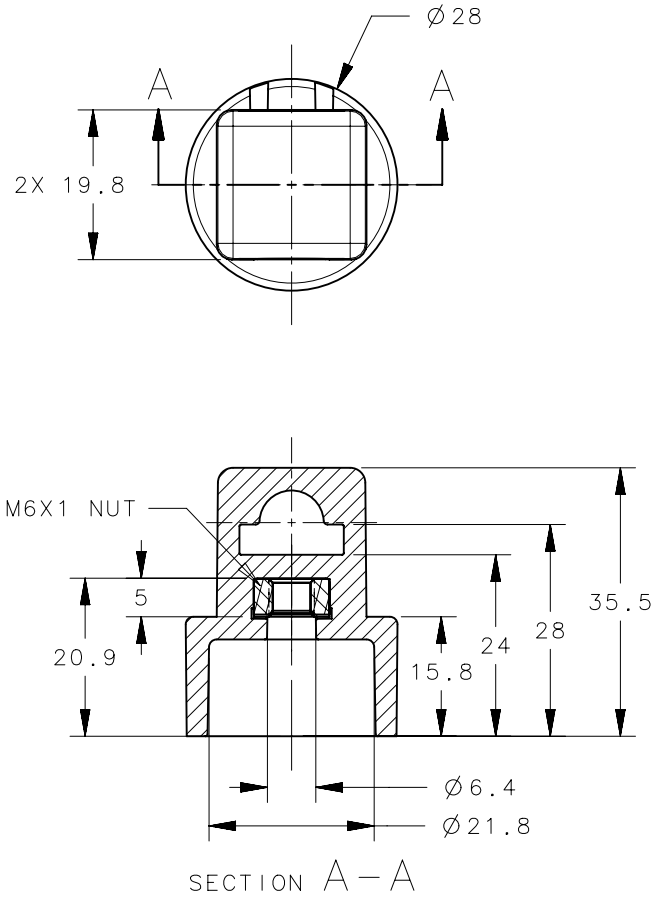


REVISION HISTORY			
REV	DATE	BY	DESCRIPTION
G	18APR2018	CJ/JQ	PRN: P2018-0885



SCALE 1:1

ROD GUIDE ASSEMBLY
NOT TO SCALE

NOTES:

- A. MATERIAL AND FINISH:
ROD GUIDE: PLASTIC, BLACK
NUT: STEEL, ZINC PLATING
- B. WHEN INSTALL, RECOMMENDED SCREW THREAD LENGTH OVER THE PANEL IS 20±0.1.
- C. MATERIAL AND FINISH:
ROD GUIDE: PLASTIC, BLACK
NUT: STAINLESS STEEL, PASSIVATED

PART NUMBER	TYPE OF COMPONENT	MATERIAL	FINISH
A5-81-301-71	ASSEMBLY	SEE NOTES A	SEE NOTES A
A5-81-301-74	ASSEMBLY	SEE NOTES C	SEE NOTES C

THIRD ANGLE PROJECTION				southco [®] CONNECT • CREATE • INNOVATE					
MILLIMETERS [IN]									
SURFACE AREA		TOLERANCES UNLESS OTHERWISE NOTED		DESCRIPTION A5 ROD GUIDE					
mm ²		UP TO 0.5 ±0.1							
VOLUME		OVER 0.5 UP TO 6 ±0.2		SIZE		SYSTEM		DWG NO.	
mm ³		OVER 6 UP TO 30 ±0.4		A4		NX		J-A5-81-301-71	
PROPRIETARY ITEM		ANGLES ±5°		DRAWN BY		DATE		SCALE	
EXCEPT FOR USES EXPRESSLY GRANTED IN WRITING, INFORMATION DISCLOSED HEREON IS CONFIDENTIAL AND ALL RIGHTS, PATENT AND OTHERWISE, ARE RESERVED BY SOUTHCO, INC.		PER ASME Y14.5M-1994		CJ/JQ		12APR2018		1:1	
								SHEET 1 OF 1	