

# B4 Handle

## Surface mount

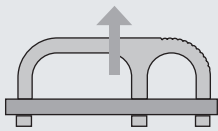
- Easy concealed installation
- Light-weight

### Material and Finish

Aluminum, anodized, clear or black

### Performance Details

Maximum static load:  
5560 N (1250 lbf)



### Installation Notes

Screws not supplied.

Calculate screw length using the following formula:

Door thickness + 9.5 (.38)

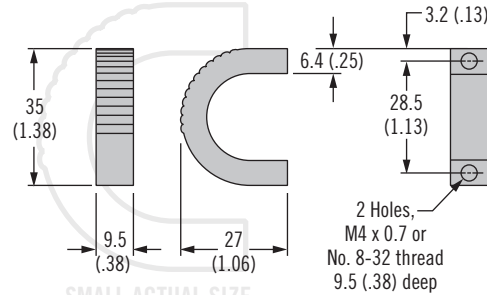
Center screw may be eliminated if desired (Medium, Large, and Extra Large sizes only)

Maximum recommended tightening torque of mounting screws:

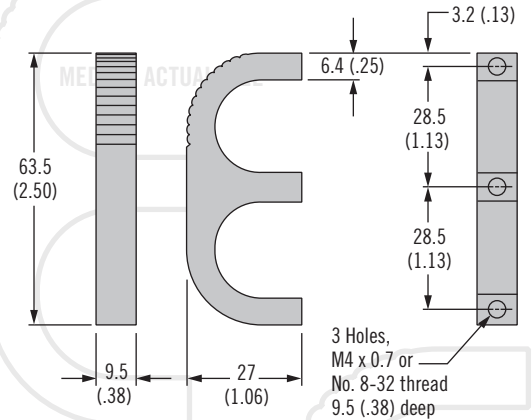
2.3 N·m (20 in·lbf) (not supplied)

### Part Number Selection

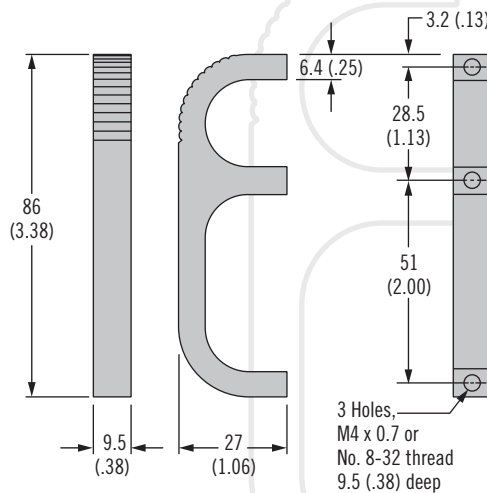
#### Small



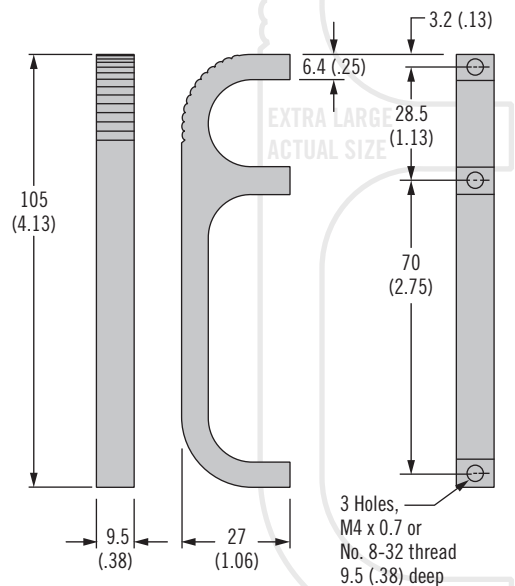
#### Medium



#### Large



#### Extra Large



**B4 - T - S 03 - 1 F - P**

**T** Tapped mounting hole

10 Imperial 8-32

50 Metric M4 x 0.7

**S** Size

1 Small

2 Medium

3 Large

4 Extra large

**P** Packing option

Omit for individual packaging

3 Layer packaged contact Southco

**F** Finish

1 Clear anodized

5 Black anodized

Other options available. For complete details on variety, part numbers, installation and specification, go to



[www.southco.com/B4](http://www.southco.com/B4)

Dimensions in millimeters (inch) unless otherwise stated