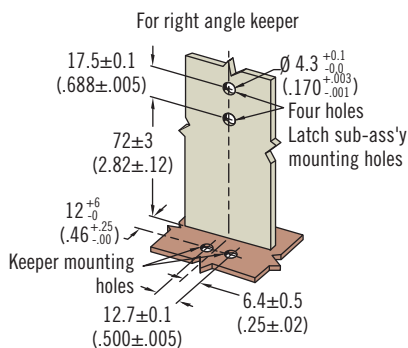
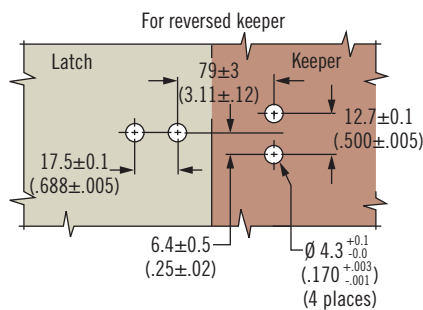
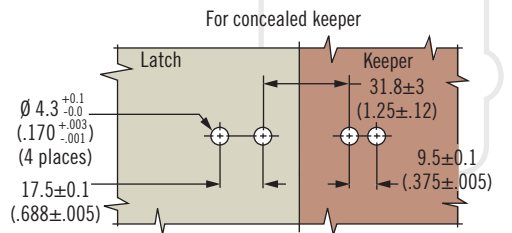
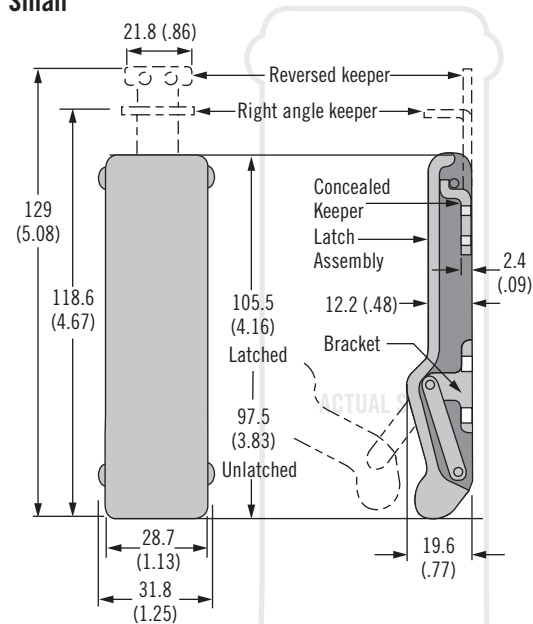


C7 Draw Latch

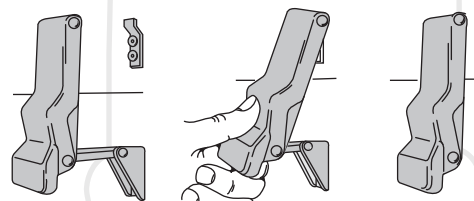
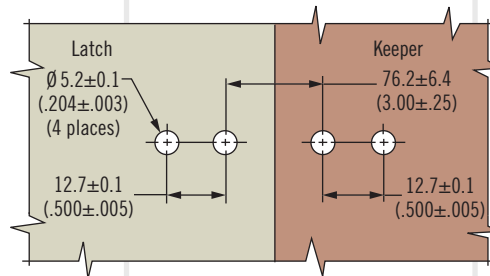
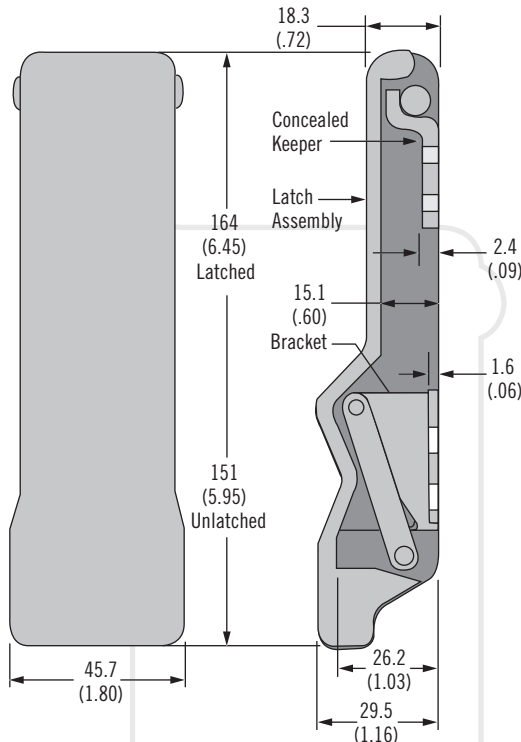
Flexible · Over-center



Small



Large



- Low profile design
- Non-corrosive materials
- Cushions impact and accommodates misalignment

Material and Finish

Latch:
Thermoplastic elastomer, black
Link and bushings:
Glass-filled nylon
Keeper and bracket: Stainless steel

Performance Details

Small:
Clamping force: 49 N (11 lbf)
Large:
Clamping force: 176 N (40 lbf)
Flammability rating: UL94-HB

Installation Notes

Small:
Install assembly with four Ø 4 (.170) rivets or M4 (No. 8) screws (not supplied)
Large:
Install assembly with four Ø5 (.204) rivets or M5 (No. 10) screws (not supplied)

Size	Keeper Style	Assembly Part Number
Small	Concealed	C7-10
	Reverse Keeper	C7-11
	Right Angle Keeper	C7-12
Large	Concealed	C7-20

Part Number

See table
Assembly complete with keeper