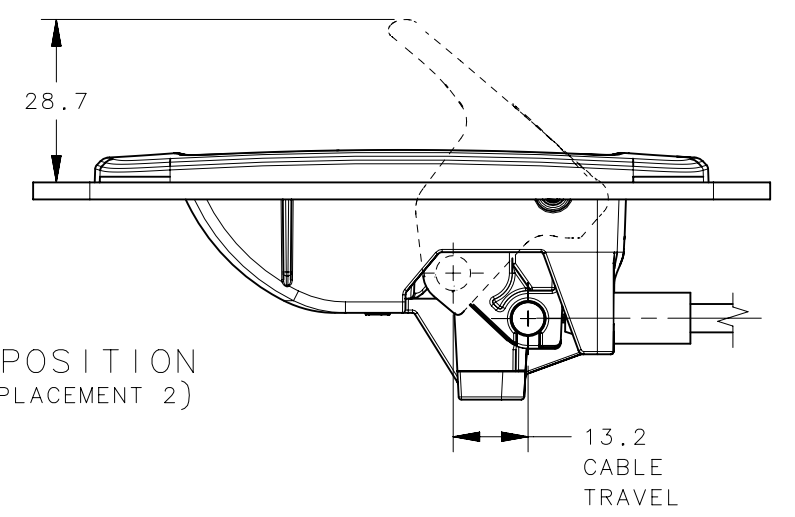
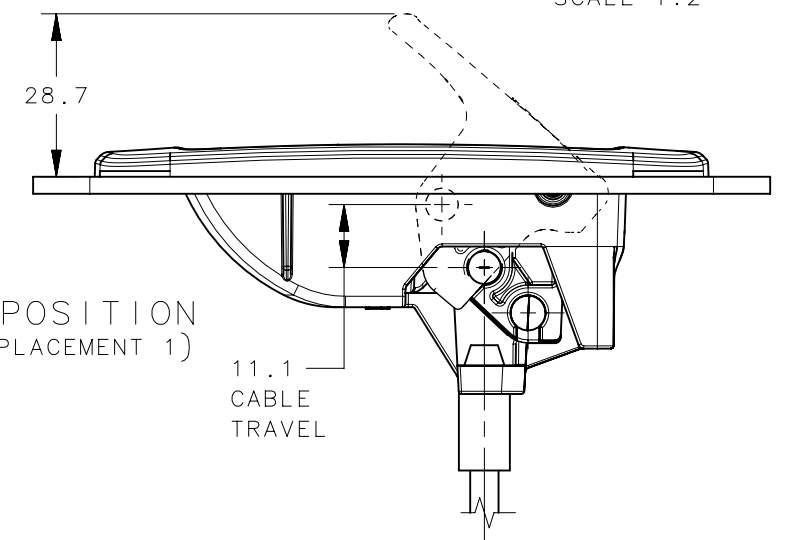
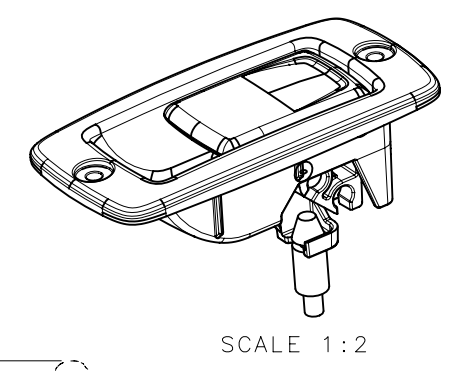
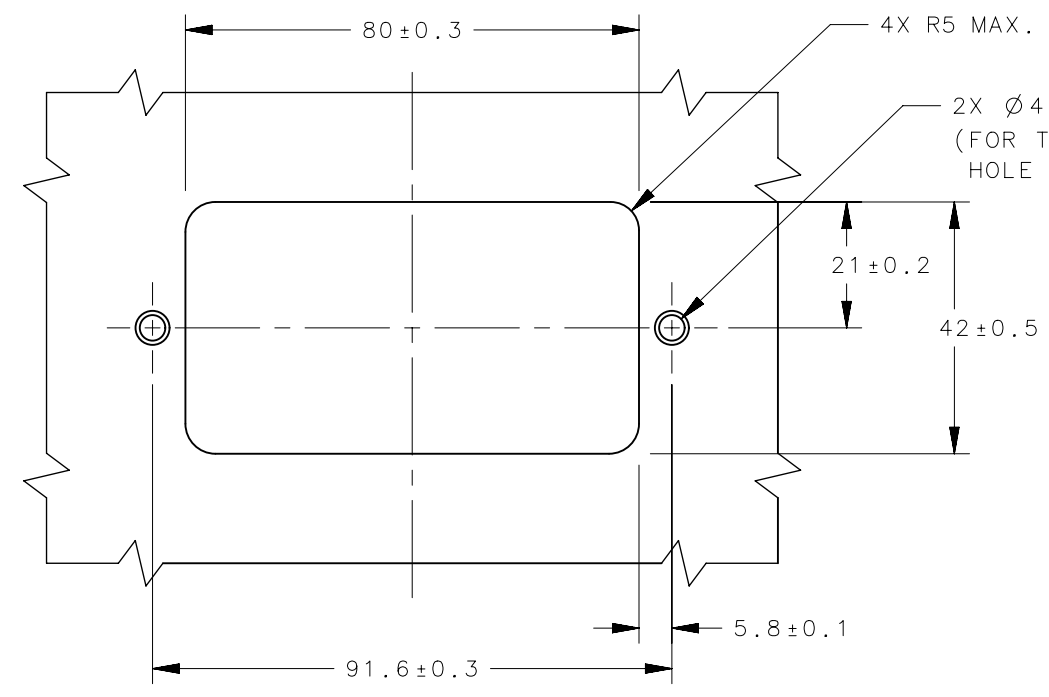
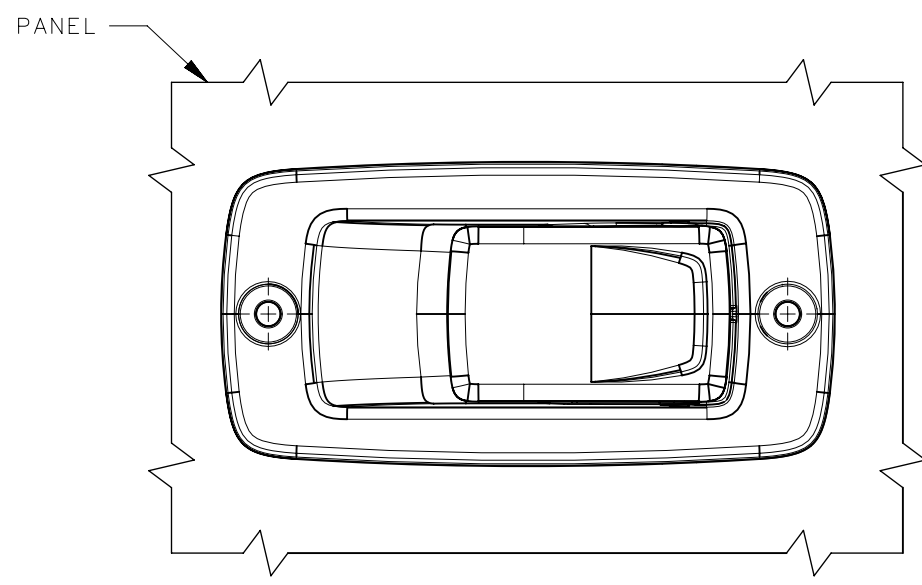
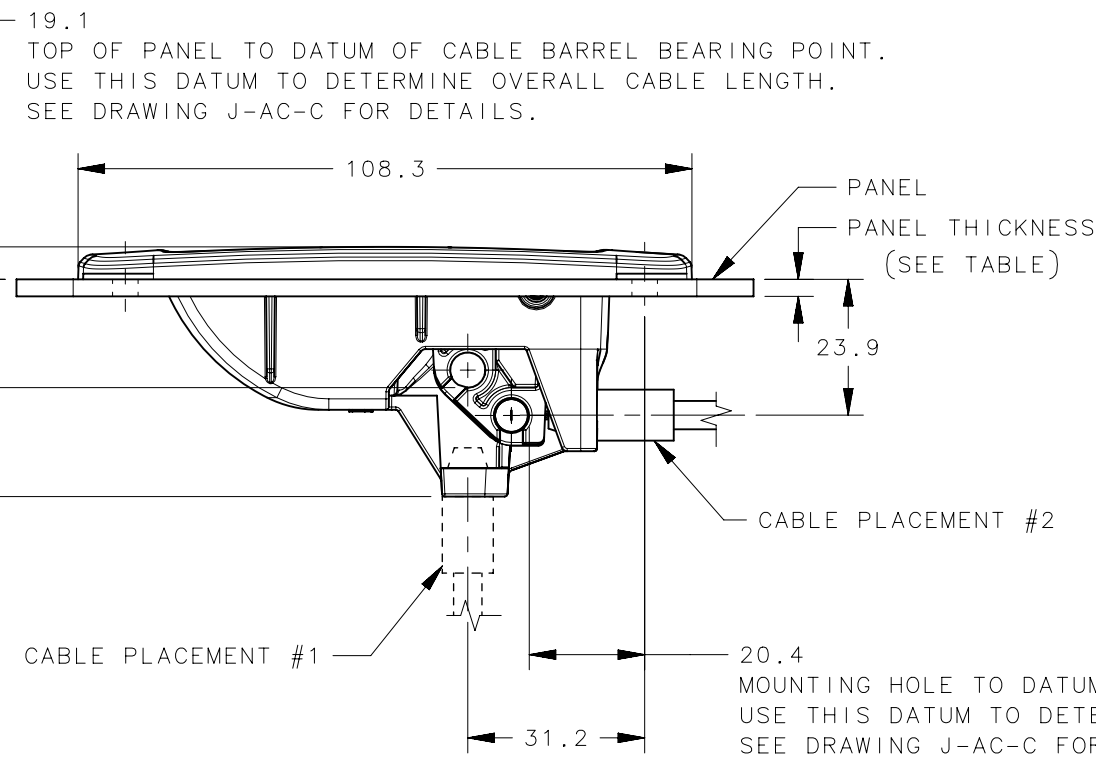
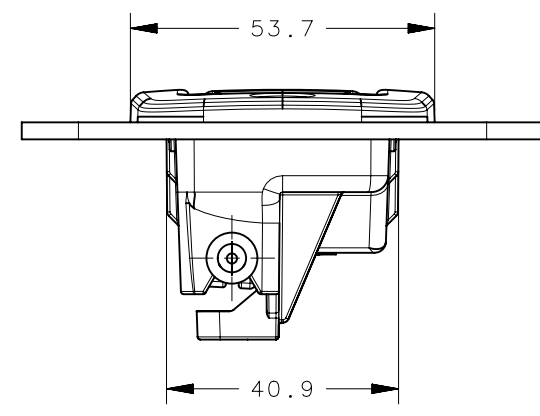


REVISION HISTORY			
REV	DATE	BY	DESCRIPTION
F	20SEP2021	OAP/MBT	PRN: P2021-1847



PANEL PREPARATION



CABLE ORIENTATION	PANEL THICKNESS	TA VALUES	
		CABLE TYPE 5	CABLE TYPE 6 OR 7
PLACEMENT #1	12.5 MAX.	TA=11	TA=16
PLACEMENT #2	16 MAX.	TA=4	TA=9

- NOTES:
- FOR CABLE CONFIGURATION, SEE CABLE CONFIGURATOR ON SOUTHCO.COM.
 - PACKAGING NOTES:
CELL PACKED, 25 ASSEMBLIES PER LAYER, 3 LAYER MAX PER BOX. WHEN ORDERING, SPECIFY QUANTITY IN MULTIPLES OF 25.
 - INSTALLATION NOTES:
A. PLACE ACTUATOR INTO PANEL OPENING, ORIENTING PADDLE END TOWARDS THE CABLE ROUTING END.
B. USE M4 OR #8 SCREWS TO MOUNT ACTUATOR TO PANEL.
C. INSERT CABLE BARREL FITTING IN PADDLE ACTUATOR HOLE, THEN SNAP CONDUIT FITTING TO HOUSING TO SECURE CABLE.

NO.	PART NUMBER	QTY	TYPE OF COMPONENT	MATERIAL	FINISH
5	-	1	BUMPER	EPDM	BLACK
4	-	1	PADDLE HANDLE	33% GLASS FILLED NYLON	BLACK
3	-	1	SPRING	302 STAINLESS STEEL	NATURAL
2	-	1	PIN	STEEL	ZINC PLATE WITH TRIVALENT CHROMATE
1	-	1	HOUSING	33% GLASS FILLED NYLON	BLACK
-	AC-70-101-11	-	ASSEMBLY	-	-

THIRD ANGLE PROJECTION			
TOLERANCES UNLESS OTHERWISE NOTED	DESCRIPTION PADDLE ACTUATOR ASSEMBLY		
ALL DIMENSIONS WITHOUT TOLERANCES ARE FOR REFERENCE ONLY.	SIZE A3	SYSTEM NX	DWG NO. J-AC-70-101
PROPRIETARY ITEM EXCEPT FOR USES EXPRESSLY GRANTED IN WRITING, INFORMATION DISCLOSED HEREON IS CONFIDENTIAL AND ALL RIGHTS, PATENT AND OTHERWISE, ARE RESERVED BY SOUTHCO, INC.	PER ASME Y14.5M-1994	DRAWN BY CW/MJS	DATE 14AUG2008
		SCALE 3:4	SHEET 1 OF 1