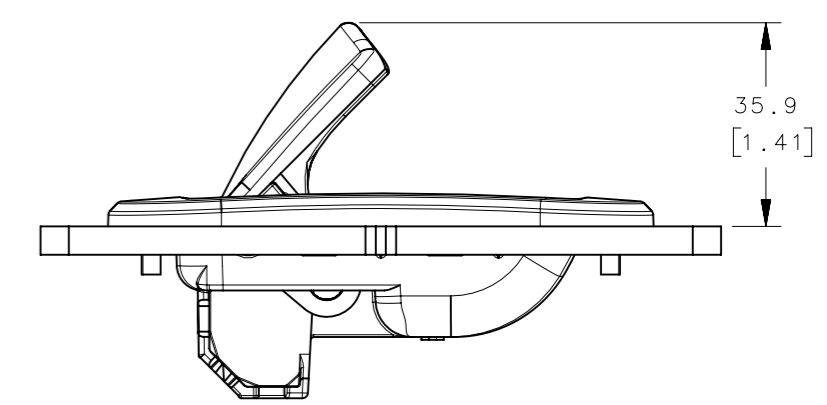
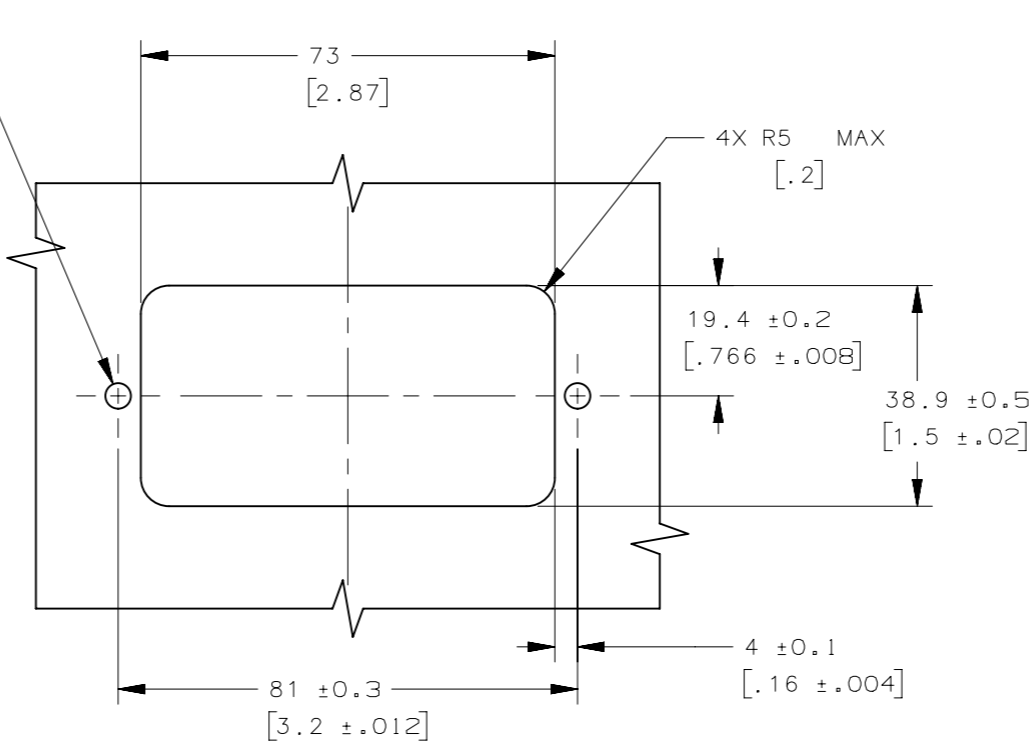
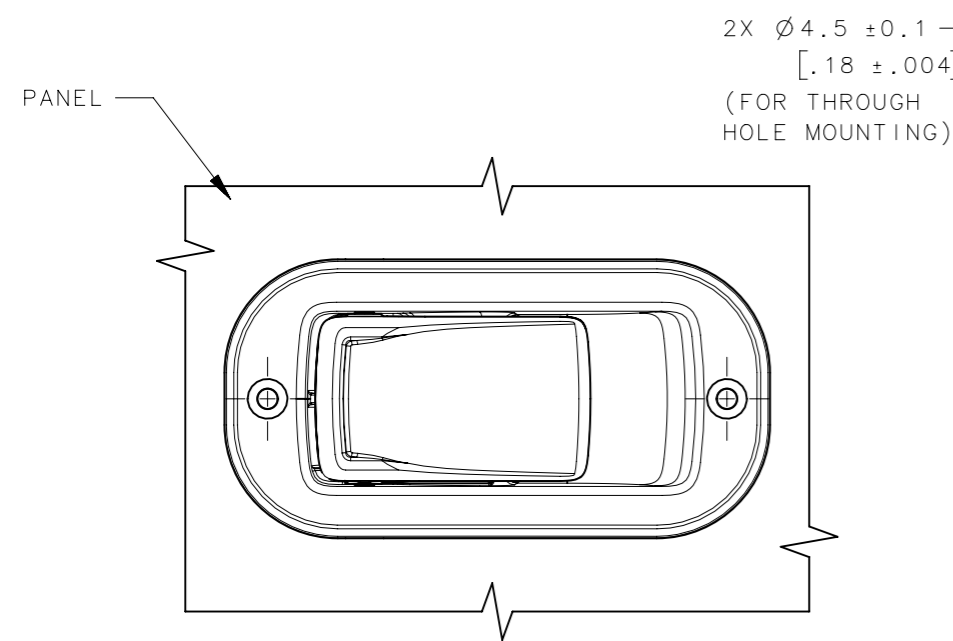
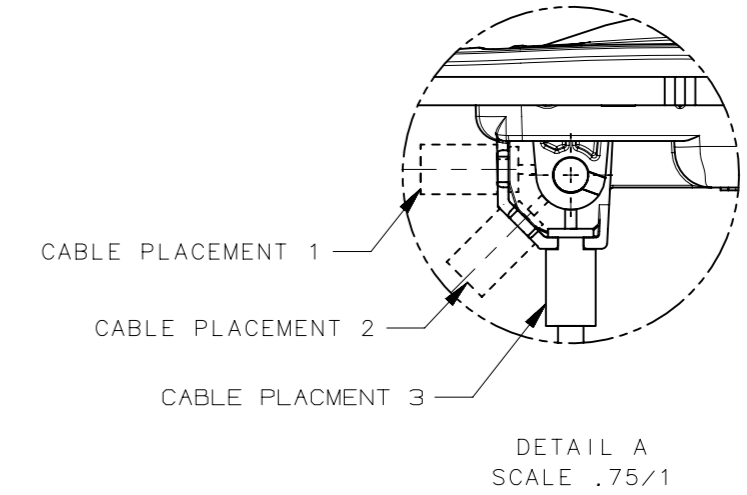
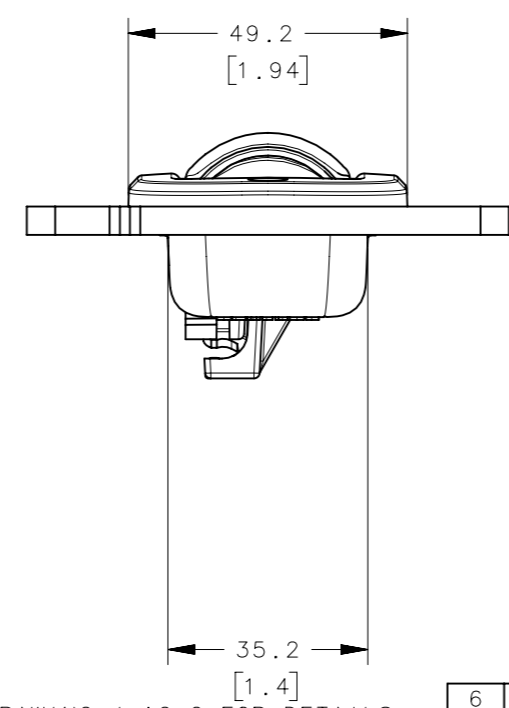
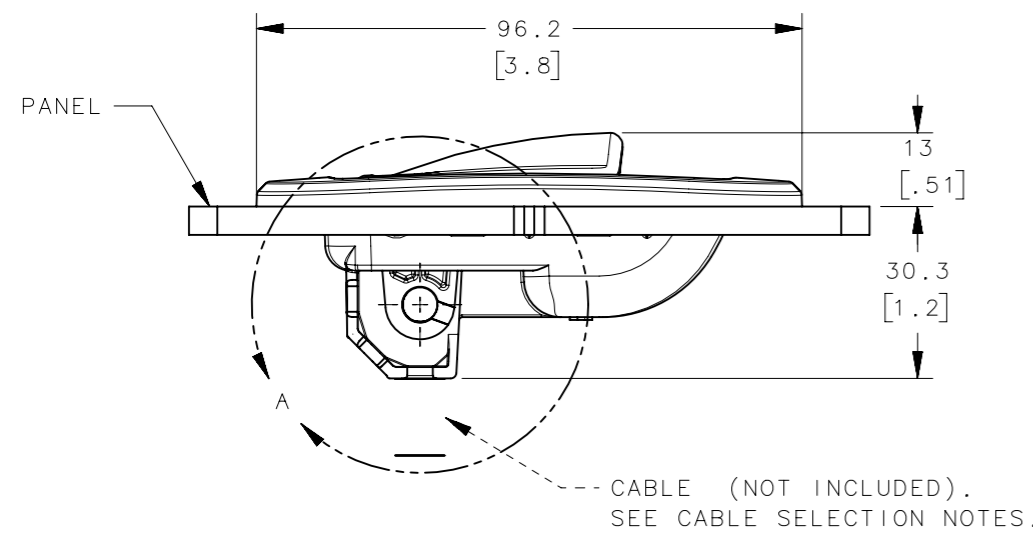


REVISION HISTORY			
REV	DATE	BY	DESCRIPTION
G	14AUG2017	JDB/CTG	PRN: P2017-2011



PANEL PREPARATION

OPEN POSITION



CABLE SELECTION NOTES:
 USE SOUTHCO CABLE WITH CABLE FITTING "A" AND CABLE TYPE "6" OR "7." SEE DRAWING J-AC-C FOR DETAILS.
PACKAGING NOTES:
 CELL PACKED, 40 ASSEMBLIES PER LAYER, 4 LAYER MAX PER BOX. WHEN ORDERING, SPECIFY QUANTITY IN MULTIPLES OF 40.
INSTALLATION NOTES:
ACTUATOR:
 1. PLACE ACTUATOR INTO PANEL OPENING, ORIENTING PADDLE END TOWARDS THE CABLE ROUTING END.
 2. USE M3.5 OR #6 SCREWS TO MOUNT ACTUATOR TO PANEL.
CABLE INSTALLATION:
 1. INSERT CABLE BARREL FITTING IN PADDLE ACTUATOR HOLE, THEN SNAP CONDUIT FITTING TO HOUSING TO SECURE CABLE.

CABLE ORIENTATION	PANEL THICKNESS	CABLE TRAVEL	TA
PLACEMENT #1	12.5 [.49] MAX	11.1 [.44]	7
PLACEMENT #2	16 [.63] MAX	13.2 [.52]	7
PLACEMENT #3	16 [.63] MAX	13.2 [.52]	7

NO.	PART NUMBER	QTY	TYPE OF COMPONENT	MATERIAL	FINISH
6	AC-75-101-11	1	ASSEMBLY	-	-
5	-	1	HOUSING	ALUMINUM	BLACK POWDER COATED
4	-	1	PADDLE	ALUMINUM	BLACK POWDER COATED
3	-	1	TORSION SPRING	302 STAINLESS STEEL	PASSIVATED
2	-	1	COIL PIN	NICKEL STAINLESS STEEL	OIL FINISH
1	-	1	BUMPER	RUBBER	BLACK

THIRD ANGLE PROJECTION				
MILLIMETERS [IN]				
SURFACE AREA	TOLERANCES UNLESS OTHERWISE NOTED		DESCRIPTION	
VOLUME	ALL DIMENSIONS WITHOUT TOLERANCES ARE FOR REFERENCE ONLY.		SOUTHCO PADDLE ACTUATOR	
PROPRIETARY ITEM	SIZE	SYSTEM	DWG NO.	
EXCEPT FOR USES EXPRESSLY GRANTED IN WRITING, INFORMATION DISCLOSED HEREON IS CONFIDENTIAL AND ALL RIGHTS, PATENT AND OTHERWISE, ARE RESERVED BY SOUTHCO, INC.	A3	NX	J-AC-75-101	
	PER ASME Y14.5M-1994	DRAWN BY	DATE	SCALE
		ACH	15JUL2010	.75:1
				SHEET 1 OF 1