



# PT Tubular Key Cam Locks

Fixed core

- 7-pin tumbler lock security
- Keyed alike, keyed differently or custom key code options
- Cams sold separately

### Material and Finish

Zinc alloy, chrome plated

### Performance Details

Average ultimate load on cam:  
645 N (145 lbf)

### Accessories

See page 169

### Installation Notes

1. Install mounting nut and tighten to 5 N•m (44 in•lbf) Max.
2. Install cam to assembly. Properly orient for rotation and grip.
3. Install lockwasher and cam mounting nut. Tighten to 2 N•m (18 in•lbf).

### Part Number Selection

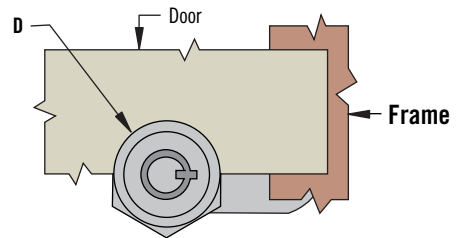
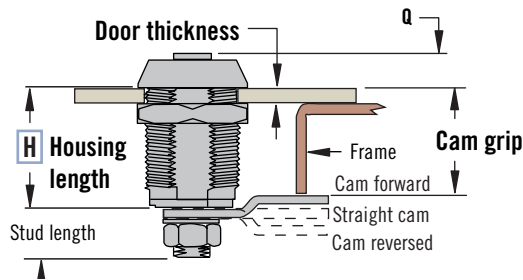
See table

Lock part number (no cam)

Order lock and cam separately

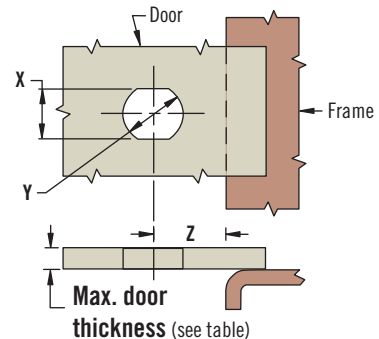
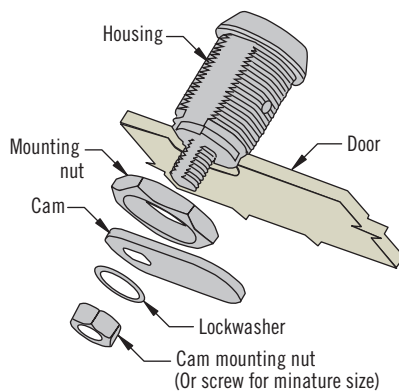
Cam page 171

### Non-Sealed Pin Tumbler



Series	Non-Sealed Pin Tumbler	
	Q	D
Standard	6.8 (.27)	Ø 22 (.87)

Series	Installation		
	X	Y	Z
Standard	16.26 - 16.36 (.640 - .644)	Ø 19±0.2 (.75±.007)	19±2 (.75±.08)



**R** Rotation  
01 Clockwise  
09 Counter-clockwise

**K** Key removal  
B Locked / unlocked removal  
L Locked removal only

PT - 1 - H C1 R - 20 K - KC

H Housing Length Number	Housing Length	Stud Length	Max. Door Thickness
1	12.7 (.50)	8.9 (.35)	5.1 (.20)
2	17.5 (.69)	9.5 (.37)	10.9 (.43)
3	23.8 (.94)	9.5 (.37)	15.9 (.63)
4	30.5 (1.20)	9.5 (.37)	22.9 (.90)
5	36.5 (1.44)	9.5 (.37)	28.9 (1.14)

**KC** Key Code

- KA Keyed alike T0001 (2 keys supplied)
- KD Keyed differently 50 key codes (T0001 to T0050) provided in a non-master key system (2 keys supplied)

Other options available. For complete details on variety, part numbers, installation and specification, go to



[www.southco.com/PT](http://www.southco.com/PT)

Dimensions in millimeters (inch) unless otherwise stated

# PT Tubular Key Cam Locks

## Cams & installation



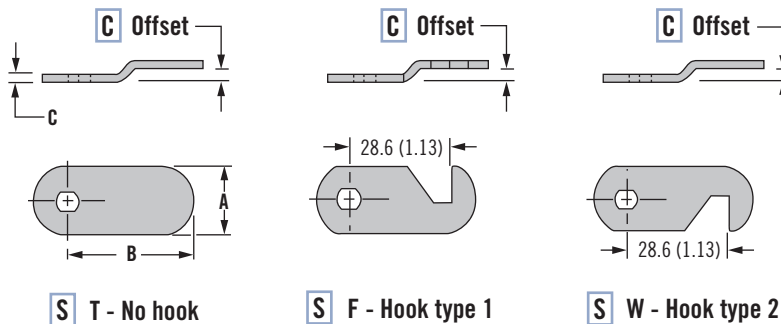
### Installation

#### Standard

Cam Grip					Max. Door Thickness	Housing Length Number
19.0 (.75)	15.9 (.63)	12.7 (.50)	9.5 (.38)	6.4 (.25)	5.1 (.20)	1
23.8 (.94)	20.7 (.81)	17.5 (.69)	14.3 (.56)	11.2 (.44)	10.9 (.43)	2
30.1 (1.19)	27 (1.06)	23.8 (.94)	20.6 (.81)	17.5 (.69)	15.9 (.63)	3
36.8 (1.45)	33.7 (1.33)	30.5 (1.20)	27.3 (1.08)	24.2 (.95)	22.9 (.90)	4
42.8 (1.69)	39.7 (1.56)	36.5 (1.44)	33.3 (1.31)	30.2 (1.19)	28.9 (1.14)	5
Cam Part Number					Cam Type	
Cam Reversed		Straight	Cam Forward		Cam Type	
PT-T409	PT-T209	PT-T009	PT-T209	PT-T409	No Hook	
PT-W409	PT-W209	PT-F009	PT-F209	PT-F409	Left	
PT-F409	PT-F209	PT-F009	PT-W209	PT-W409	Right	

Also use the online configurator at [www.southco.com](http://www.southco.com)

### Cam Styles



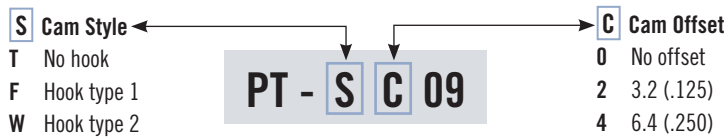
### Material

- In the **TAN** section, locate the cam grip calculated for your application. If your grip falls between two values, use the higher value.  
Notes: For cam grips that can be achieved with multiple housing lengths, use the value that results in the shortest housing possible based on the Max. door thickness allowed.
- From this value, move right horizontally into the **Gray** section and verify your door thickness falls within the Max. door thickness listed. Once this is verified, the housing length is selected and is illustrated by the housing length number.
- Returning to your original grip value in the **TAN** section, move down vertically into the **GREEN** section. The **GREEN** section illustrates the cams that are appropriate for your grip.
- By determining the required cam orientation and style in the **BLUE** section, the appropriate cam for your application is selected.

### Part Number Selection

See table

- Order lock and cam separately
- Cam part number (no lock)
- For Lock selection see page 170



Series	Cam Style T No hook		
	A	B	C
Standard	19 (.75)	28.6 (1.13)	3 (.12)

