

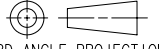
**southco**<sup>®</sup>

PROPRIETARY ITEM - EXCEPT FOR USES EXPRESSLY GRANTED IN WRITING INFORMATION DISCLOSED HEREON IS CONFIDENTIAL AND ALL RIGHTS PATENT AND OTHERWISE ARE RESERVED BY SOUTHCO, INC.

R4-EM ROTARY LATCH

DATE	DRAWN	CHKD	SCALE	DRAWING NUMBER
22JAN2009	MJS	GG	.5:1	TD-R4-EM-1-J

REV	DATE	DRAWN/CHKD	DESCRIPTION
C	28JUL2011	MJS/WB	ADDED TR R4-117

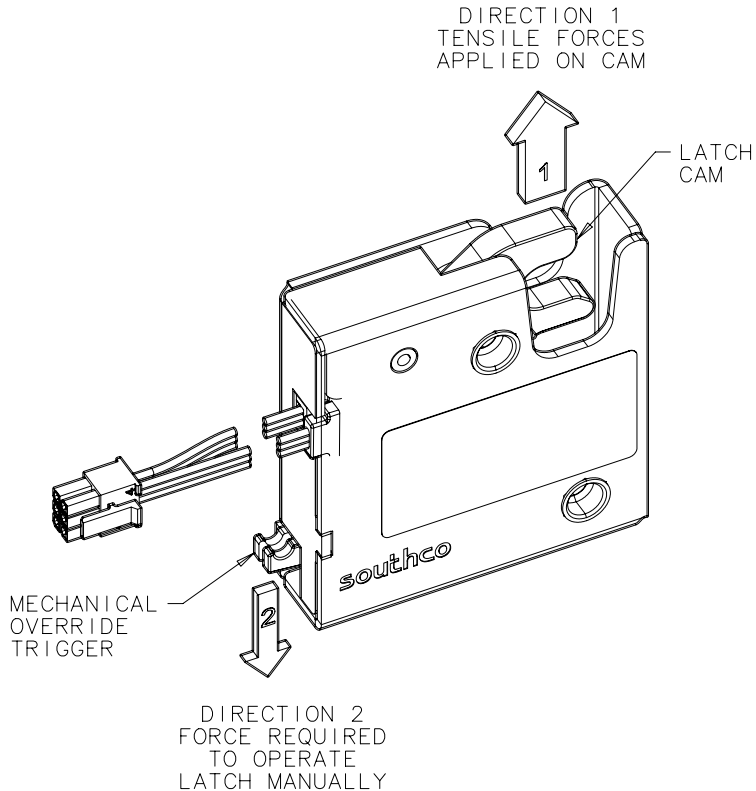
THIRD ANGLE PROJECTION  A4 PAPER SIZE

SOUTHCO PERFORMANCE GUIDELINES  
 THE PERFORMANCE GUIDELINES SHOWN ON THIS PAGE ARE SUPPLIED AS A GENERAL GUIDE ONLY, AS CONDITIONS VARY WITH EACH APPLICATION AND METHOD OF INSTALLATION. STRENGTH DATA GIVEN IS FOR FAILURE OF THE PRODUCT OR FOR SUFFICIENT DEFORMATION TO MAKE THE PRODUCT INOPERABLE. NO SAFETY FACTOR HAS BEEN APPLIED. IT IS RECOMMENDED THAT THE USER REQUEST A PRODUCT SAMPLE FOR TESTING TO DETERMINE THE SUITABILITY OF THE PRODUCT FOR THE PURPOSE INTENDED AND USER'S PARTICULAR APPLICATION.

TENSILE FORCE ON CAM	CYCLE LIFE
44 N (10 lb.)	100,000

Performance values for R4-EM-1X-XXX  
 See J-R4-EM-11-151 and J-R4-EM-11-161 for latch dimensions.

1. Testing performed using part number R4-EM-11-161.
2. TENSILE FORCES (Direction 1) are applied at the nominal lateral position (zero misalignment).
3. MAXIMUM TENSILE FORCE (Direction 1) on the cam that the latch can release (open) electronically one time: 1557 N (350 lbf).
4. AVERAGE ULTIMATE TENSILE LOAD (Direction 1) on the cam before latch can fracture: 6770 N (1522 lbf).
5. AVERAGE ULTIMATE TENSILE LOAD (Direction 1) when used with Southco Striker Bolt R4-90-121-10: 4890 N (1100 lb.).
6. TENSILE FORCE (Direction 2) required on the mechanical override trigger to operate (open) the latch manually with a 100 N (22 lbf) tensile force on the cam: 4 N (0.9 lbf).



REF: TR R4-93  
 TR R4-4867  
 TR R4-117 (SUPERCEDES TEST #12 IN TR R4-93)