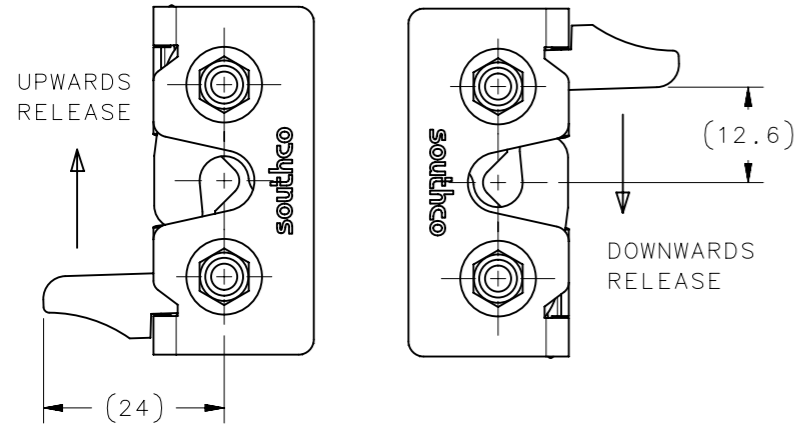


R4-05-SI-LOB-15

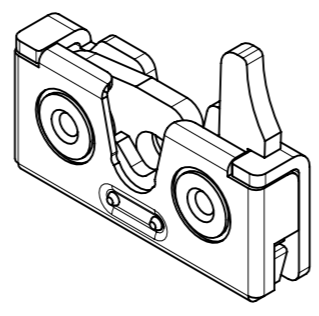
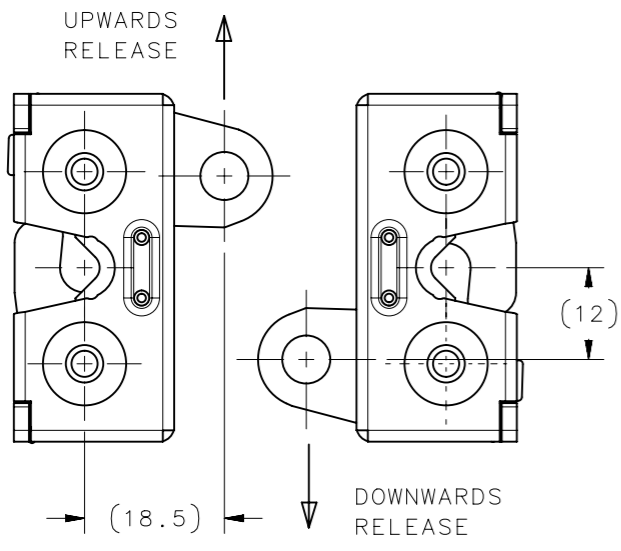
REVISION HISTORY			
REV	DATE	BY	DESCRIPTION
C	11JUN2019	NBK/VK	PRN: P2019-1467

- | | | | |
|--|--|---|--|
| S LATCHING
2 SINGLE STAGE
4 TWO STAGE | I MOUNTING OPTION
0 4.5MM THROUGH HOLE
1 8-32 UNC THREAD
2 M4x0.7 THREAD | L LATCH SERIES
4 HAND ACTUATED
5 BOTTOM ACTUATED | B BASE STYLE
1 STANDARD
5 INTEGRATED BUMPER |
|--|--|---|--|

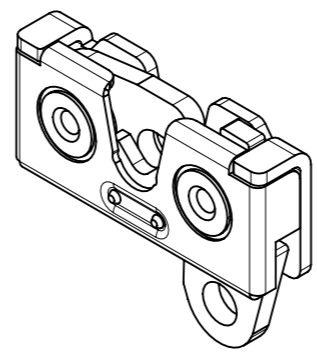
- HAND ACTUATED
4 MOUNTING OPTIONS
- UPWARDS RELEASE, RIGHT HAND
 - DOWNWARDS RELEASE, RIGHT HAND
 - UPWARDS RELEASE, LEFT HAND
 - DOWNWARDS RELEASE, LEFT HAND



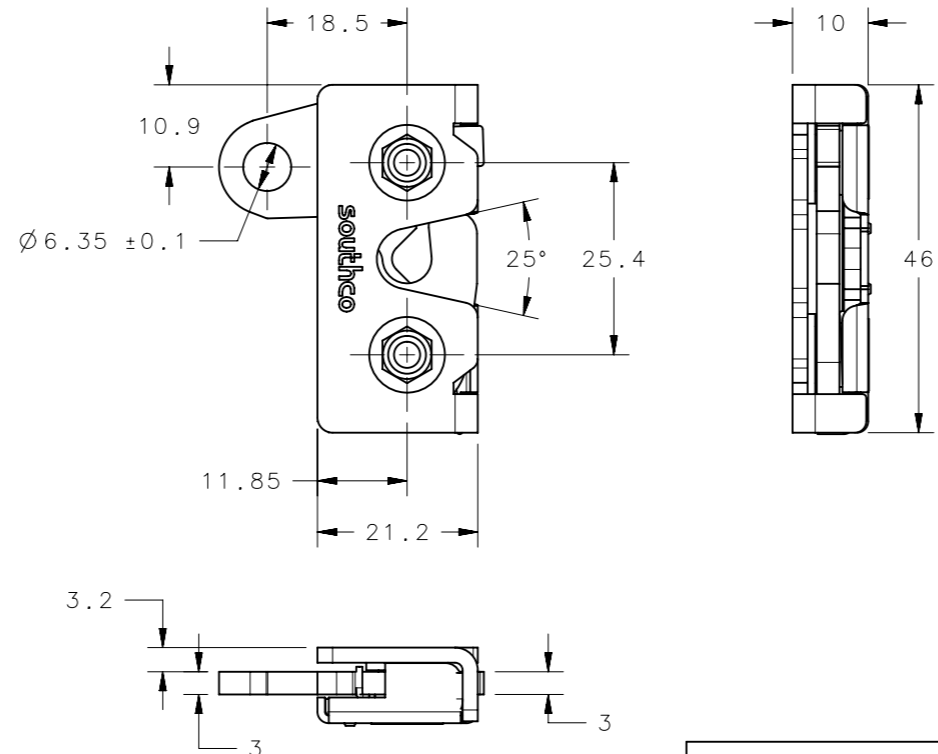
- BOTTOM ACTUATED
4 MOUNTING OPTIONS
- UPWARDS RELEASE, RIGHT HAND
 - DOWNWARDS RELEASE, RIGHT HAND
 - UPWARDS RELEASE, LEFT HAND
 - DOWNWARDS RELEASE, LEFT HAND



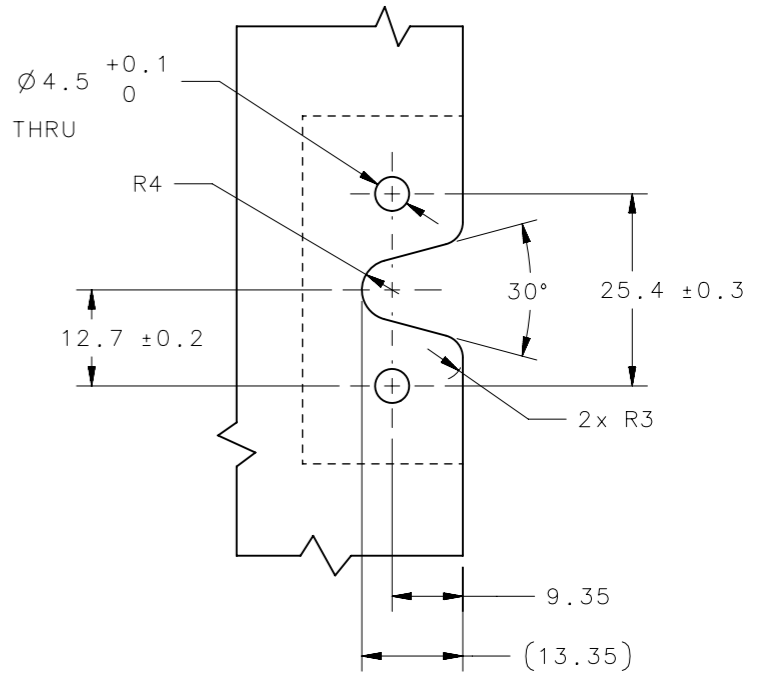
ISO VIEW
HAND ACTUATED



ISO VIEW
BOTTOM ACTUATED



PANEL PREPARATION

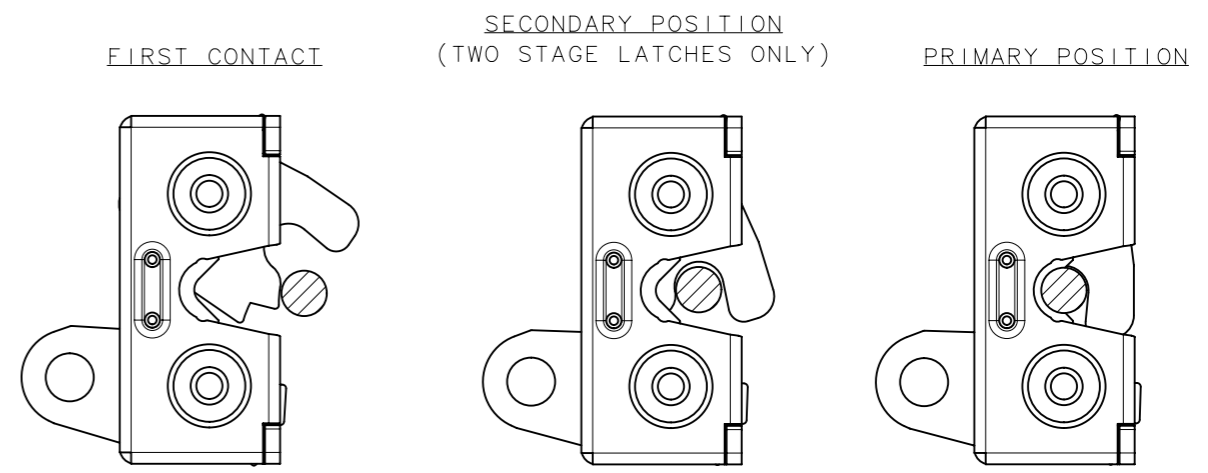
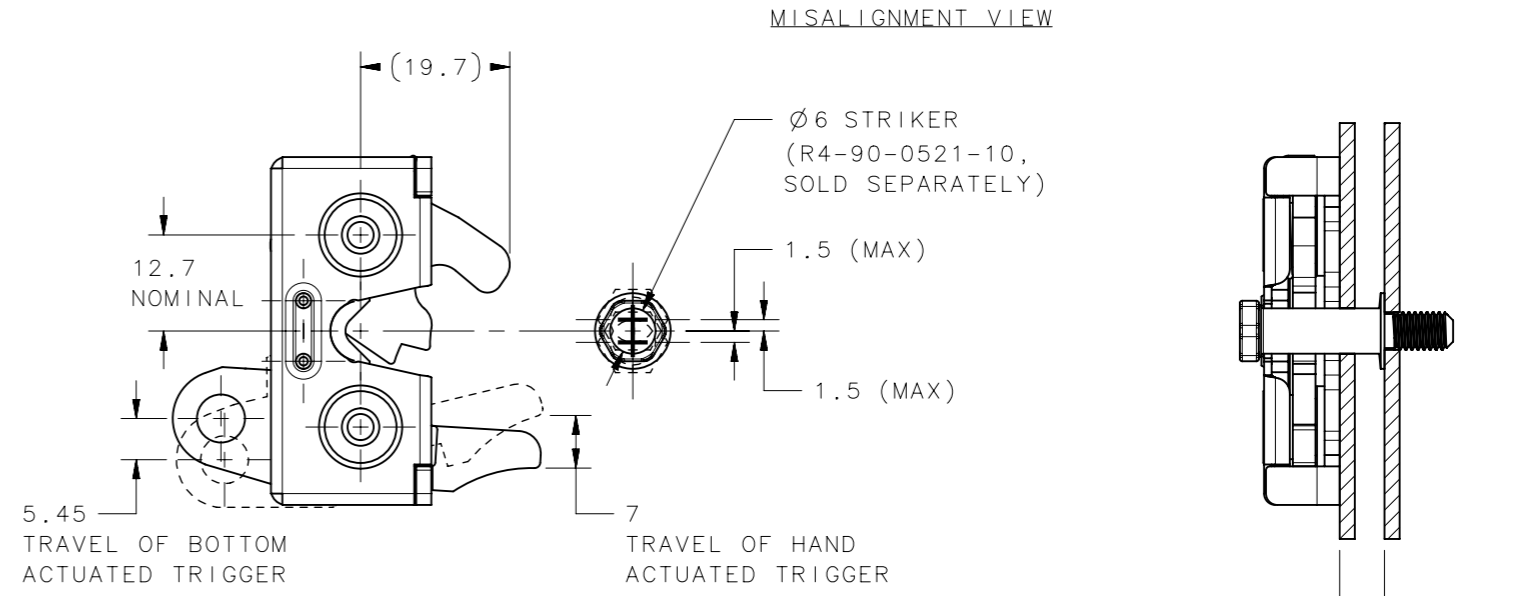
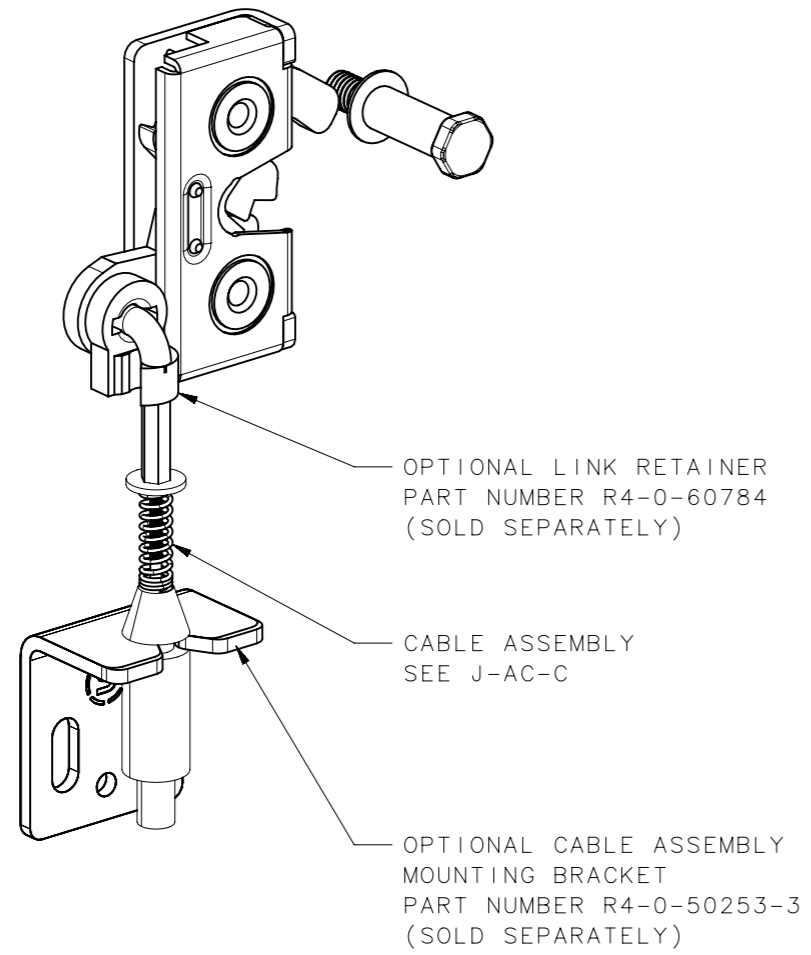


NOTES:

- 1, MATERIALS AND FINISH:
HOUSINGS: STEEL; BLACK ZINC NICKEL
PAWL AND TRIGGER: HARDENED STEEL; BLACK ZINC NICKEL
SPRING: STAINLESS STEEL, PASSIVATED
BUMPER: EPDM
- 2, SCREW MOUNTING TIGHTENING TORQUE: MAXIMUM 4Nm
- 3, SEE TD-R4-05-J FOR TEST DATA

THIRD ANGLE PROJECTION		 CONNECT • CREATE • INNOVATE	
MILLIMETERS [IN]			
TOLERANCES UNLESS OTHERWISE NOTED		DESCRIPTION R4-05 ROTARY LATCH BLACK	
ALL DIMENSIONS WITHOUT TOLERANCES ARE FOR REFERENCE ONLY.		SIZE A3	SYSTEM NX
PROPRIETARY ITEM EXCEPT FOR USES EXPRESSLY GRANTED IN WRITING, INFORMATION DISCLOSED HEREON IS CONFIDENTIAL AND ALL RIGHTS, PATENT AND OTHERWISE, ARE RESERVED BY SOUTHCO, INC.		DWG NO. J-R4-05-15	DATE 11APR2019
PER ASME Y14.5M-1994		DRAWN BY NBK/VK	SCALE 1:1
		SHEET 1 OF 2	

REVISION HISTORY			
REV	DATE	BY	DESCRIPTION
C	11JUN2019	NBK/VK	PRN: P2019-1467



NOTES:

A. THE TOLERANCE BETWEEN THE LATCH AND STRIKER BOLT ASSUMES A NON-RIGID DOOR INSTALLATION THAT WILL ALLOW THE DOOR TO MOVE INTO THE NOMINAL POSITION DURING LATCHING. RIGID DOORS MUST HAVE THE STRIKER INSTALLED PER THE PANEL PREPARATION RECOMMENDATION.

B. THE MISALIGNMENT VIEW ASSUMES THE LATCH IS CONNECTED TO A PERFECTLY RIGID DOOR AND HINGE; THEREFORE, THERE IS NO DOOR AND/OR HINGE SLACK ASSOCIATED WITH THESE DIMENSIONS. THE MISALIGNMENT VIEW DOES NOT TAKE FLEXING OF THE STRIKER BOLT INTO ACCOUNT.

	THIRD ANGLE PROJECTION			
	MILLIMETERS [IN]			
SURFACE AREA	TOLERANCES UNLESS OTHERWISE NOTED	DESCRIPTION R4-05 ROTARY LATCH BLACK		
VOLUME	ALL DIMENSIONS WITHOUT TOLERANCES ARE FOR REFERENCE ONLY.	SIZE A3	SYSTEM NX	DWG NO. J-R4-05-15
PROPRIETARY ITEM EXCEPT FOR USES EXPRESSLY GRANTED IN WRITING, INFORMATION DISCLOSED HEREON IS CONFIDENTIAL AND ALL RIGHTS, PATENT AND OTHERWISE, ARE RESERVED BY SOUTHCO, INC.	PER ASME Y14.5M-1994	DRAWN BY NBK/VK	DATE 11APR2019	SCALE 1:1
				SHEET 2 OF 2