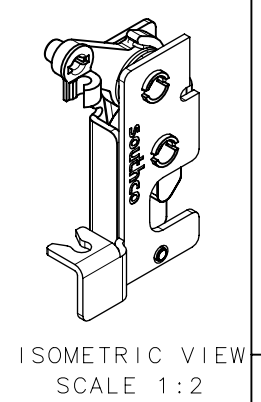
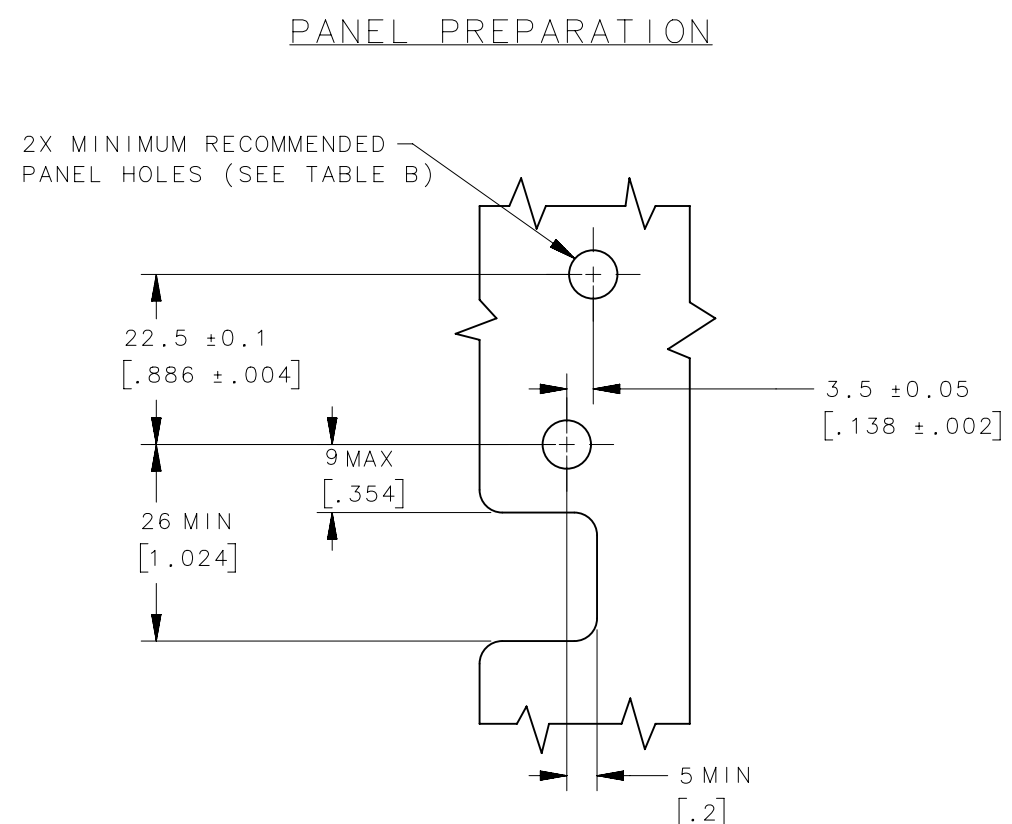
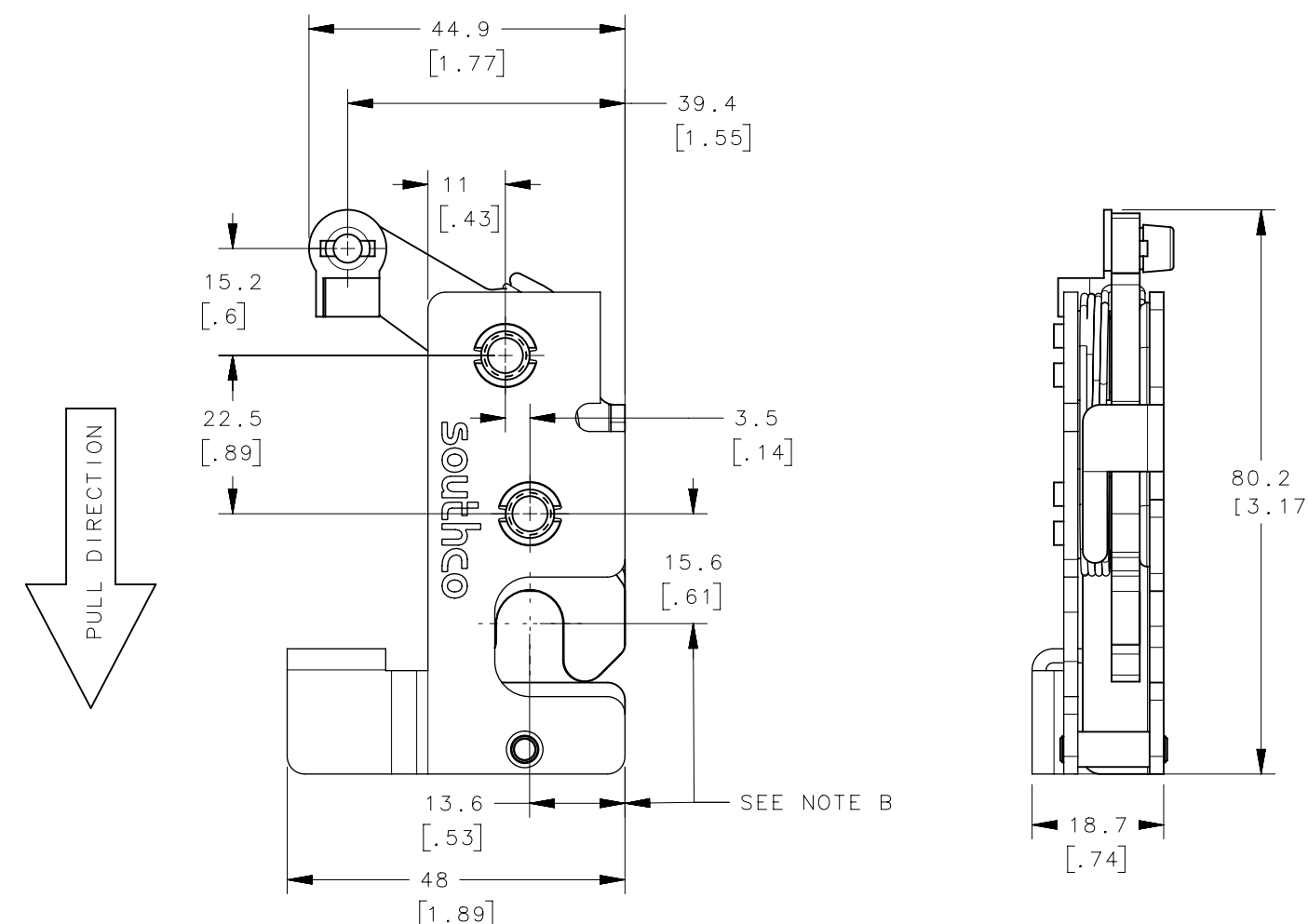


REVISION HISTORY			
REV	DATE	BY	DESCRIPTION
G	19SEP2019	MBT/DMS	PRN: P2019-2361



- A. MATERIAL AND FINISH:
- HOUSING, LEVER AND INTERNAL COMPONENTS:
MATERIAL - STEEL
-10 ZINC PLATED, BRIGHT CHROMATE
-77 ZINC NICKEL, BRIGHT CHROMATE
 - PAWL AND TRIGGER:
MATERIAL - HARDENED STEEL
-10 ZINC PLATED, BRIGHT CHROMATE
-77 ZINC NICKEL, BRIGHT CHROMATE
 - SPRING: STAINLESS STEEL, PASSIVATED
- B. THESE DIMENSIONS REQUIRED FOR MOUNTING STRIKER BOLT.

ASSEMBLY PART No.

R4-10-□□-502-□□

STAGE & ACTUATION	MOUNTING STYLE	MATERIAL / FINISH
2- SINGLE STAGE, LEFT HAND	0- Ø 7.2 THRU	10- LOW CARBON STEEL, ZINC PLATE CHROMATE
4- DUAL STAGE, LEFT HAND	1- 1/4-20 THREAD	77- LOW CARBON STEEL, ZINC NICKEL PLATED
	2- M6x1 THREAD	

TABLE A	
MOUNTING STYLE	MINIMUM RECOMMENDED PANEL HOLE
Ø 7.2 THRU	Ø 7.6 [.299]
1/4-20 THREAD	Ø 6.8 [.268]
M6x1 THREAD	Ø 6.4 [.252]

THIRD ANGLE PROJECTION	 CONNECT • CREATE • INNOVATE	
SURFACE AREA	TOLERANCES UNLESS OTHERWISE NOTED	
VOLUME	ALL DIMENSIONS WITHOUT TOLERANCES ARE FOR REFERENCE ONLY.	
PROPRIETARY ITEM <small>EXCEPT FOR USES EXPRESSLY GRANTED IN WRITING, INFORMATION DISCLOSED HEREON IS CONFIDENTIAL AND ALL RIGHTS, PATENT AND OTHERWISE, ARE RESERVED BY SOUTHCO, INC.</small>	DESCRIPTION R4-10 MINI ROTARY LATCH WITH INTEGRATED BRACKET - LEFT HAND	SIZE SYSTEM B NX
PER ASME Y14.5M-1994	DWG NO. J-R4-10-20-502	DATE 22JUN2015
	DRAWN BY CMG/DGJ	SCALE 1:1
		SHEET 1 OF 2

6

5

4

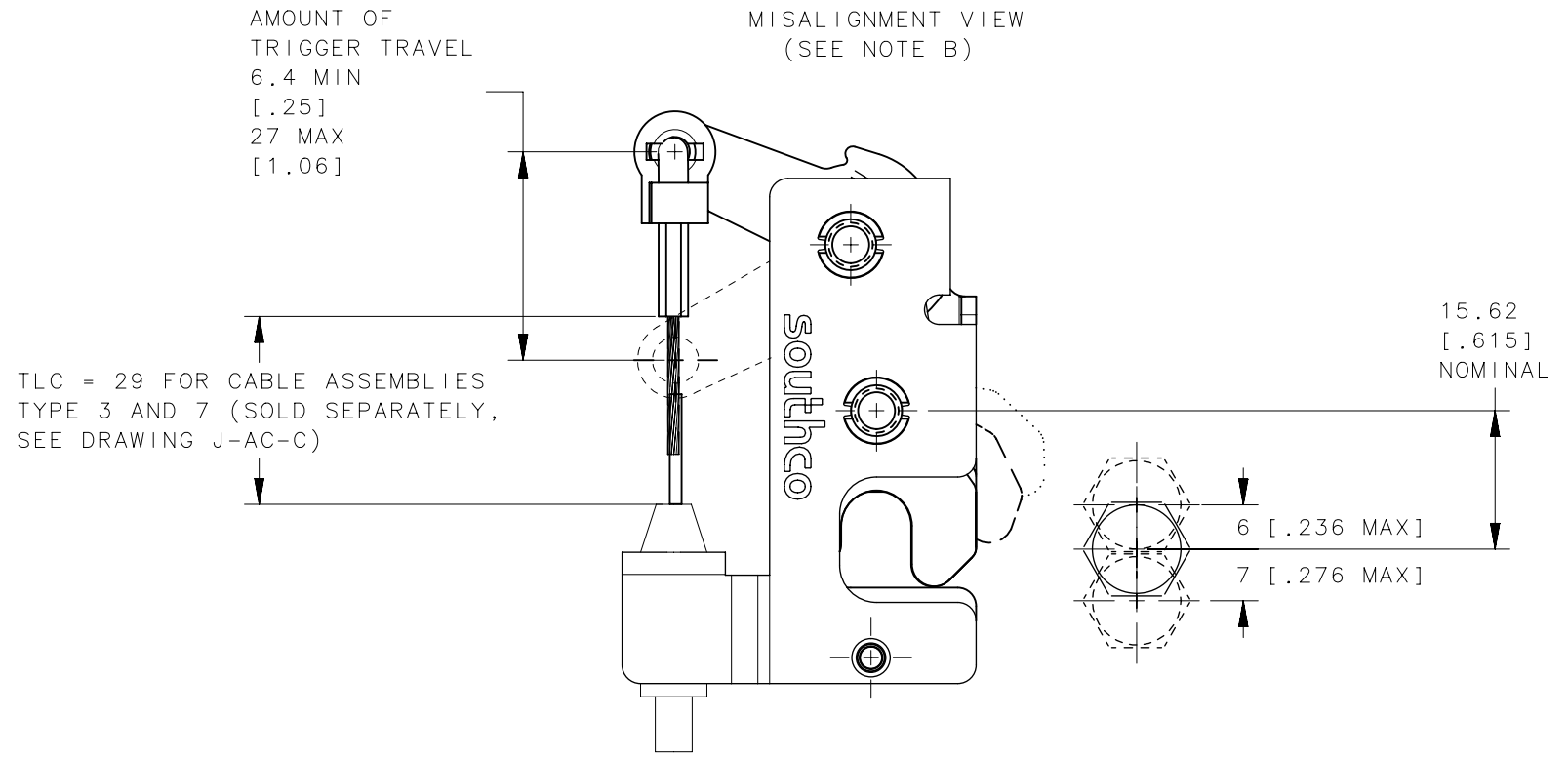
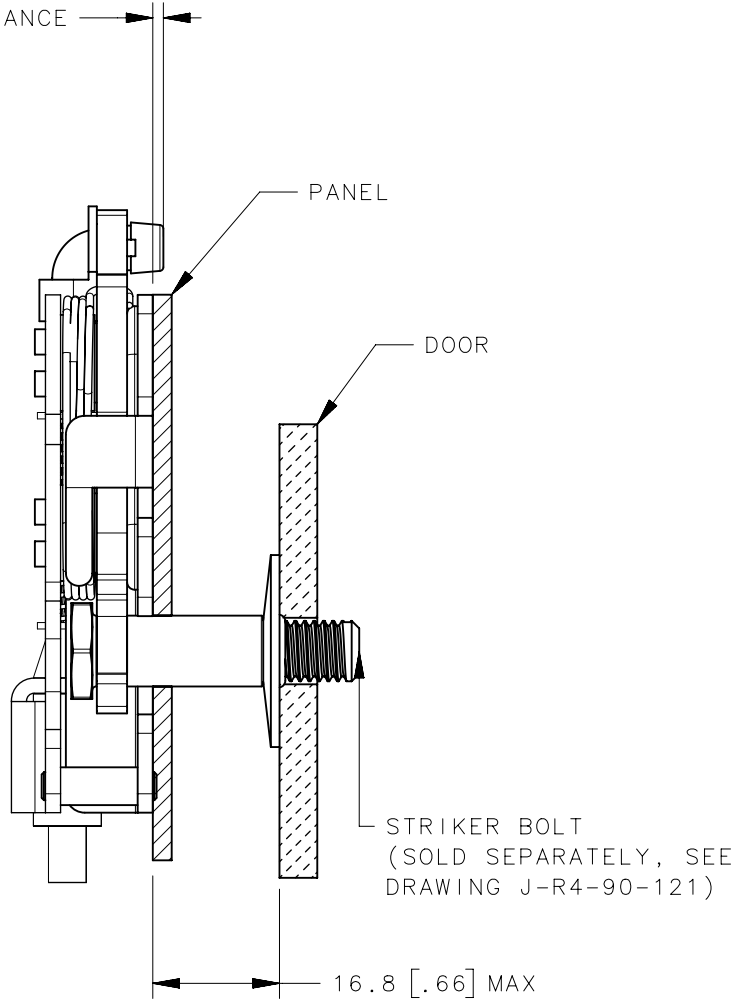
3

2

1

REVISION HISTORY			
REV	DATE	BY	DESCRIPTION
G	19SEP2019	MBT/DMS	PRN: P2019-2361

1.5 MIN CLEARANCE



- FULLY LATCHED POSITION
- - - - - SECONDARY LATCHED POSITION
- UNLATCHED POSITION

NOTES:

A. THE TOLERANCE BETWEEN THE LATCH AND STRIKER BOLT ASSUMES A NON-RIGID DOOR INSTALLATION THAT WILL ALLOW THE DOOR TO MOVE INTO THE NOMINAL POSITION DURING LATCHING. RIGID DOORS MUST HAVE THE STRIKER INSTALLED PER THE PANEL PREPARATION RECOMMENDATION.

B. THE MISALIGNMENT VIEW ASSUMES THE LATCH IS CONNECTED TO A PERFECTLY RIGID DOOR AND HINGE; THEREFORE, THERE IS NO DOOR AND/OR HINGE SLACK ASSOCIATED WITH THESE DIMENSIONS. THE MISALIGNMENT VIEW DOES NOT TAKE FLEXING OF THE STRIKER BOLT INTO ACCOUNT.

THIRD ANGLE PROJECTION				southco [®] CONNECT • CREATE • INNOVATE	
MILLIMETERS [IN]					
SURFACE AREA		TOLERANCES UNLESS OTHERWISE NOTED		DESCRIPTION R4-10 MINI ROTARY LATCH WITH INTEGRATED BRACKET - LEFT HAND	
VOLUME		ALL DIMENSIONS WITHOUT TOLERANCES ARE FOR REFERENCE ONLY.			
PROPRIETARY ITEM <small>EXCEPT FOR USES EXPRESSLY GRANTED IN WRITING, INFORMATION DISCLOSED HEREON IS CONFIDENTIAL AND ALL RIGHTS, PATENT AND OTHERWISE, ARE RESERVED BY SOUTHCO, INC.</small>		SIZE B	SYSTEM NX	DWG NO. J-R4-10-20-502	
PER ASME Y14.5M-1994		DRAWN BY CMG/DGJ	DATE 22JUN2015	SCALE 1:1	SHEET 2 OF 2

6

5

4

3

2

1