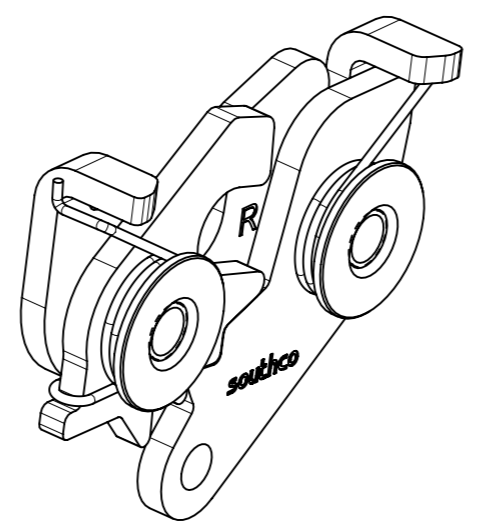


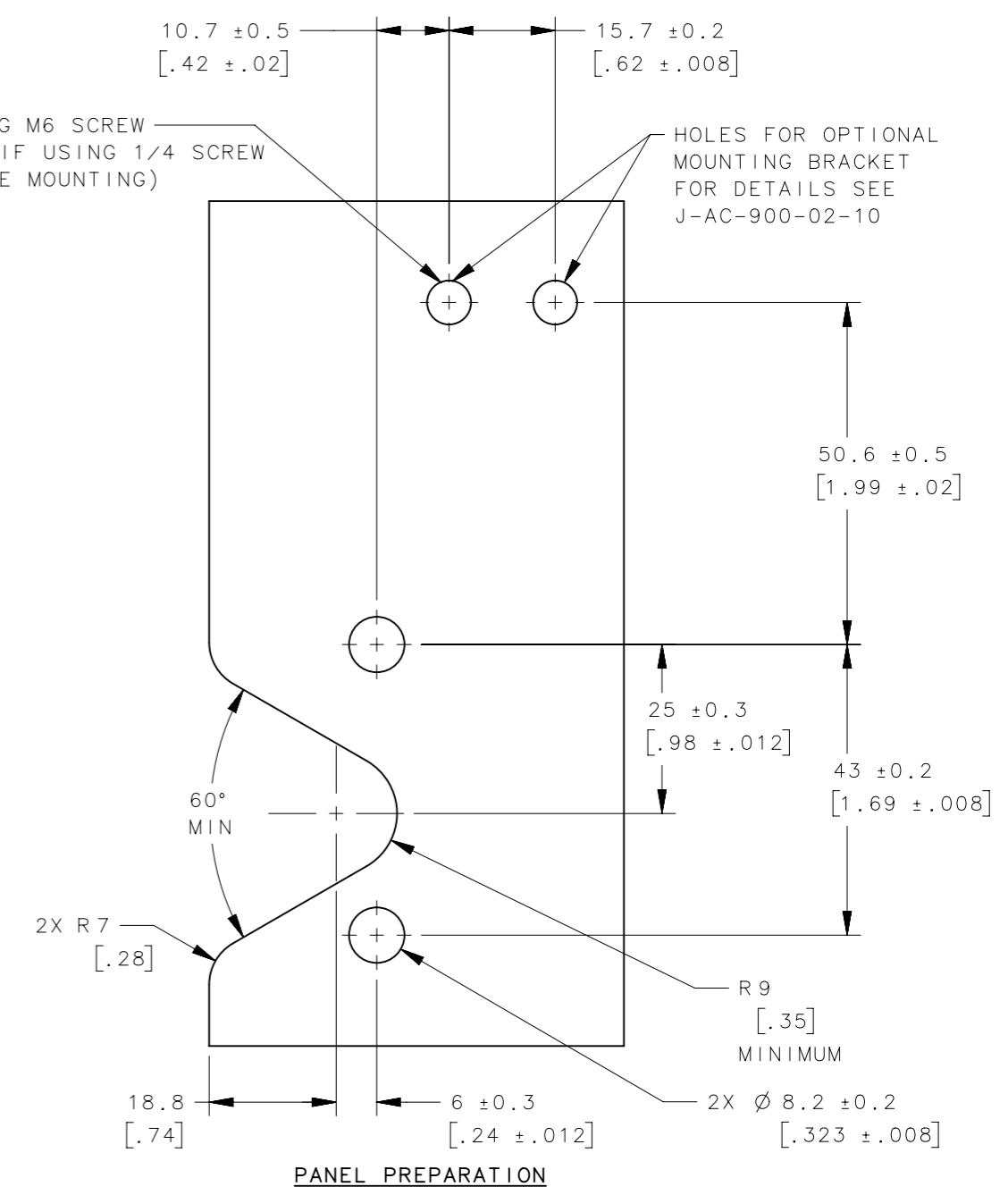
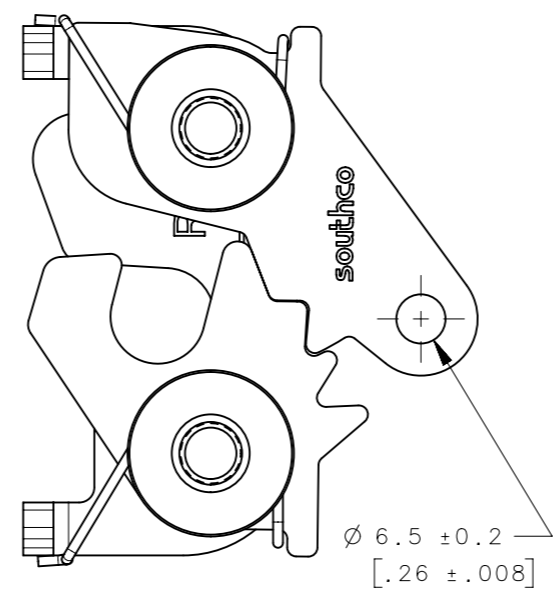
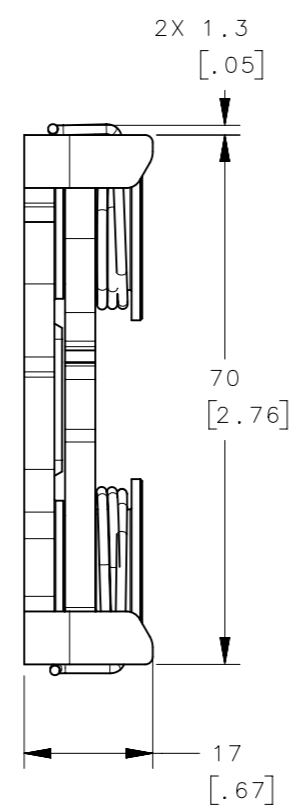
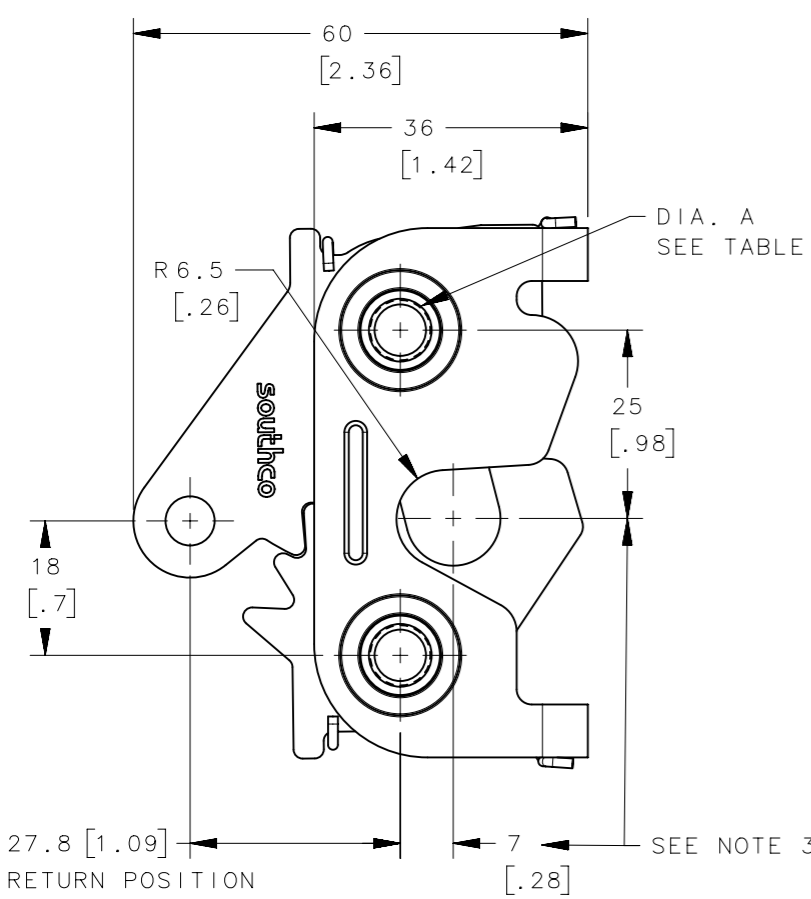
REVISION HISTORY			
REV	DATE	BY	DESCRIPTION
A	05JUN2018	VK/YGC	PRN: P2018-1377



SCALE 1:1


2X Ø6.5 IF USING M6 SCREW
 2X H-SIZE DRILL IF USING 1/4 SCREW
 (FOR THROUGH HOLE MOUNTING)

HOLES FOR OPTIONAL
 MOUNTING BRACKET
 FOR DETAILS SEE
 J-AC-900-02-10

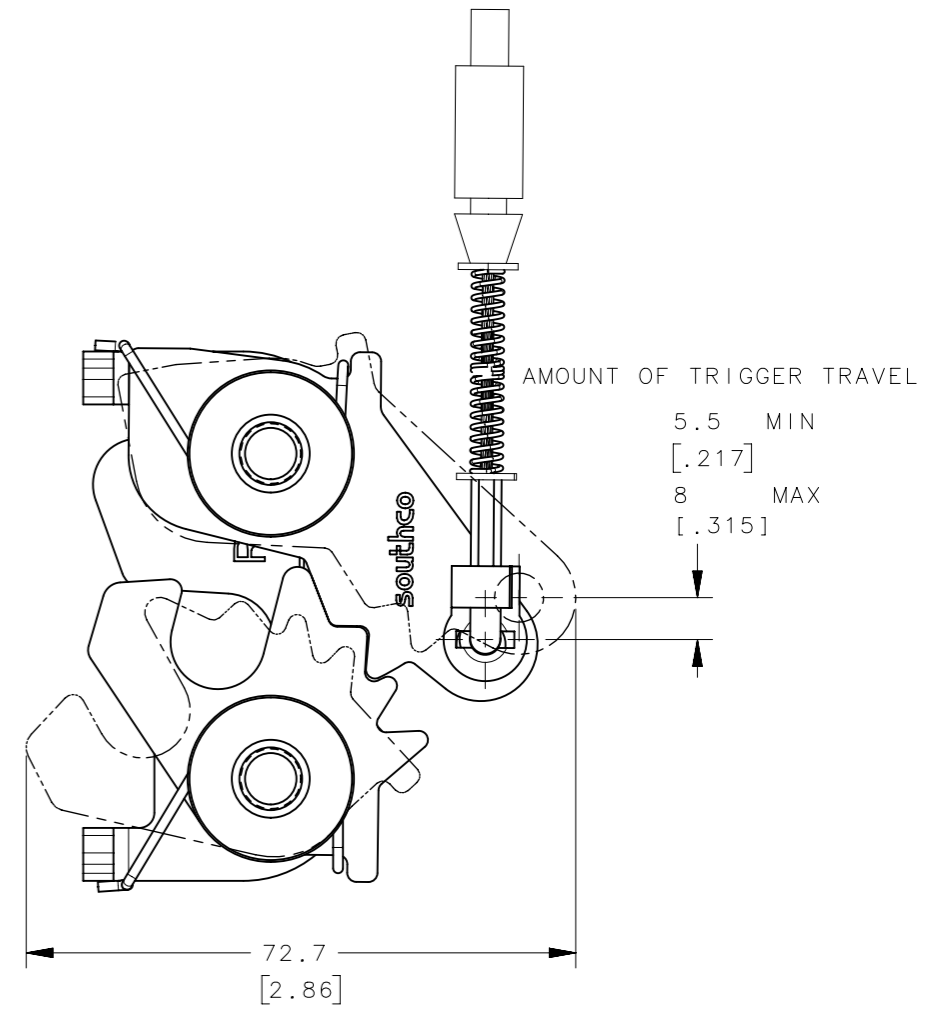
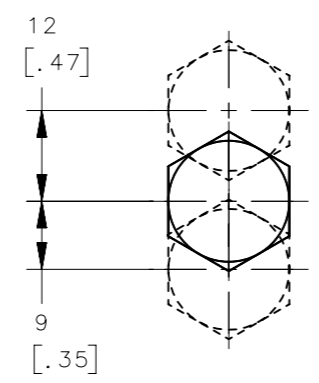
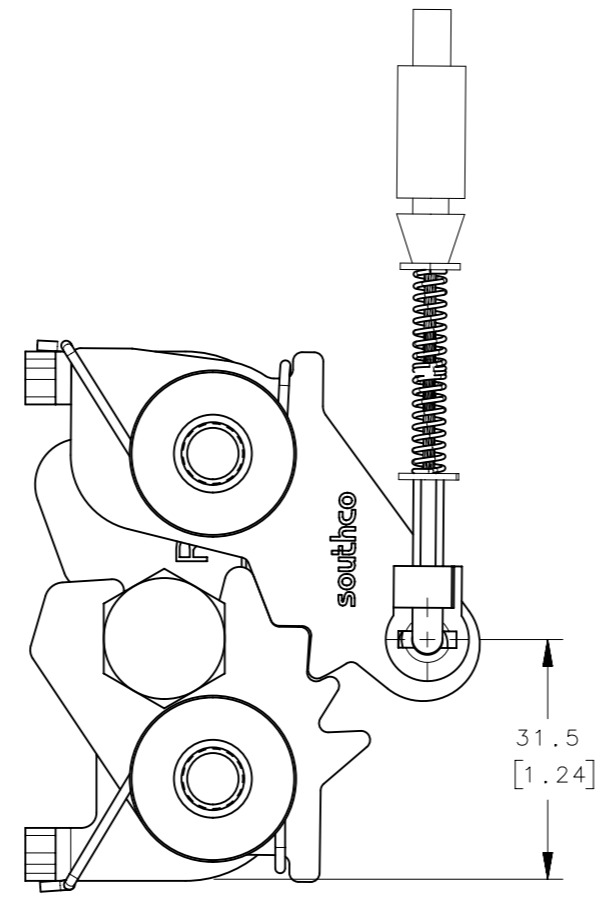
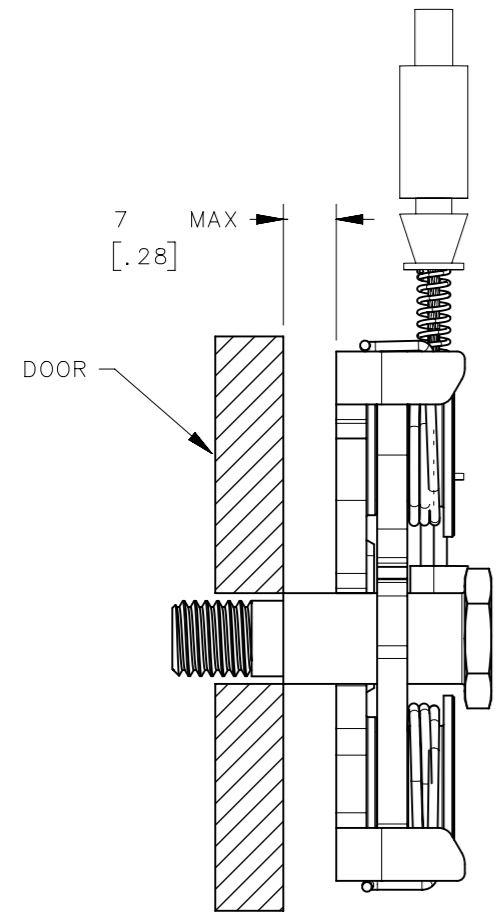


- NOTES:
1. MATERIAL AND FINISH:
 HOUSING, PIN, PAWL, TRIGGER AND SPRING:
 STAINLESS STEEL, PASSIVATED.
 2. REFER TO TRADE DRAWING J-AC-C FOR CABLE SELECTION.
 3. THESE DIMENSIONS REQUIRED FOR MOUNTING STRIKER BOLT.

R4-20-32-501-20	M8 THREAD ASSEMBLY	M8 x 1.25	SEE NOTE 1	SEE NOTE 1
R4-20-31-501-20	5/16-18 THREAD ASSEMBLY	5/16 - 18	SEE NOTE 1	SEE NOTE 1
R4-20-30-501-20	Ø 8.3 THRU ASSEMBLY	Ø 8.3 ± 0.12	SEE NOTE 1	SEE NOTE 1
PART NUMBER	DESCRIPTION	DIMENSION "A"	MATERIAL	FINISH

THIRD ANGLE PROJECTION	 CONNECT • CREATE • INNOVATE		
MILLIMETERS [IN]			
TOLERANCES UNLESS OTHERWISE NOTED	DESCRIPTION		
ALL DIMENSIONS WITHOUT TOLERANCES ARE FOR REFERENCE ONLY.	R4-20 DUAL STAGE, RIGHT HAND STAINLESS STEEL		
PROPRIETARY ITEM	SIZE	SYSTEM	DWG NO.
EXCEPT FOR USES EXPRESSLY GRANTED IN WRITING, INFORMATION DISCLOSED HEREON IS CONFIDENTIAL AND ALL RIGHTS, PATENT AND OTHERWISE, ARE RESERVED BY SOUTHCO, INC.	A3	NX	J-R4-20-30-501-20
PER ASME Y14.5M-1994	DRAWN BY	DATE	SCALE
	VK	18MAY2018	1:1
			SHEET 1 OF 3

REVISION HISTORY			
REV	DATE	BY	DESCRIPTION
A	05JUN2018	VK/YGC	PRN: P2018-1377



MISALIGNMENT VIEW
(SEE NOTE 4)

NOTES:

4. THE TOLERANCE BETWEEN THE LATCH AND THE STRIKER BOLT ASSUMES A NON-RIGID DOOR INSTALLATION THAT WILL ALLOW THE DOOR TO MOVE INTO THE NOMINAL POSITION DURING LATCHING. RIGID DOORS MUST HAVE THE STRIKER INSTALLED PER THE PANEL PREPARATION RECOMMENDATION.

THIRD ANGLE PROJECTION				southco [®] CONNECT • CREATE • INNOVATE		
TOLERANCES UNLESS OTHERWISE NOTED		DESCRIPTION				
ALL DIMENSIONS WITHOUT TOLERANCES ARE FOR REFERENCE ONLY.		R4-20 DUAL STAGE, RIGHT HAND STAINLESS STEEL				
PROPRIETARY ITEM	PER ASME Y14.5M-1994	SIZE	SYSTEM	DWG NO.		
EXCEPT FOR USES EXPRESSLY GRANTED IN WRITING, INFORMATION DISCLOSED HEREON IS CONFIDENTIAL AND ALL RIGHTS, PATENT AND OTHERWISE, ARE RESERVED BY SOUTHCO, INC.		A3	NX	J-R4-20-30-501-20		
		DRAWN BY	DATE	SCALE	SHEET	
		VK	18MAY2018	1:1	2 OF 3	

REVISION HISTORY			
REV	DATE	BY	DESCRIPTION
A	05JUN2018	VK/YGC	PRN: P2018-1377

NOTE:

ASSEMBLY SHOWN WITH SOUTHCO CABLE FITTING "B" AND CABLE "3". SEE J-AC-C FOR DETAILS

ROD OPTION

$\phi 4 \pm 0.1$
[.16 ±.004]

R 2.5 MAX
[.1]

13.5 ± 0.5
[.53 ±.02]

STRIKER BOLT
PART NUMBER R4-91-2X1-20
(SOLD SEPARATELY,
SEE J-R4-91-200-20 FOR DETAILS)

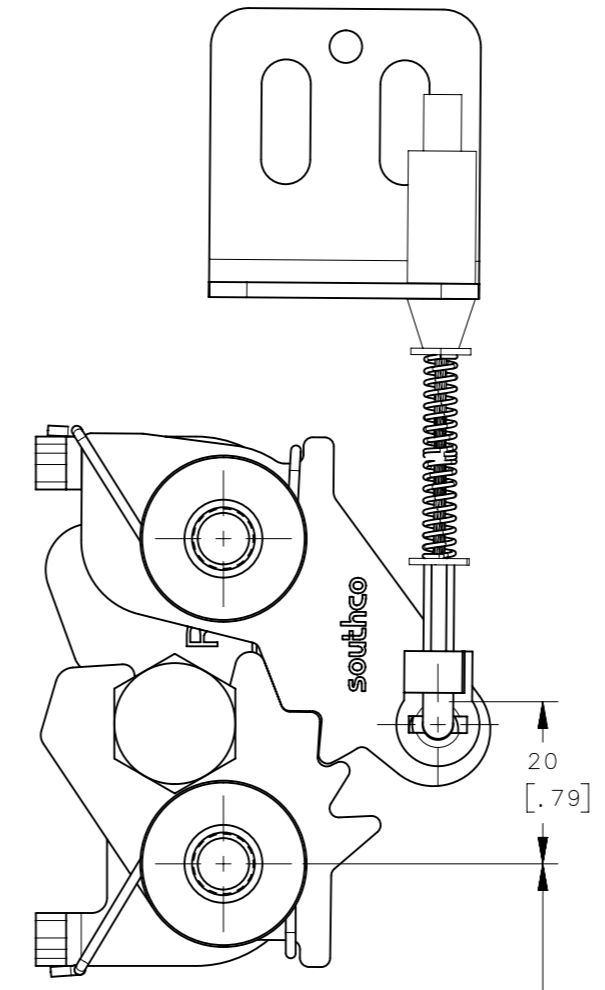
OPTIONAL CLIP
PART NUMBER R4-0-43922-1
(SOLD SEPARATELY,
SEE DRAWING J-R4-0-43922
FOR DETAILS)

OPTIONAL CABLE ASSEMBLY
SEE DRAWING J-AC-C FOR DETAILS
(SOLD SEPARATELY)

(CABLE SHOWN WITH
CABLE FITTING "B" IN
A CABLE ASSEMBLY "13")

OPTIONAL CABLE ASSEMBLY
MOUNTING BRACKET
PART NUMBER AC-900-02-10
(SOLD SEPARATELY)

INSTALL USING 3 SCREWS
(2 MOUNTING, 1 SET)
(SCREWS NOT SUPPLIED)
SEE J-AC-900-02-10 FOR
DETAILS



MOUNTING HOLE TO CABLE OR ROD
BEARING POINT. USE TO DETERMINE THE
OVERALL CABLE LENGTH, SEE J-AC-C FOR
ADDITIONAL DETAILS

	THIRD ANGLE PROJECTION	 CONNECT • CREATE • INNOVATE		
	MILLIMETERS [IN]			
SURFACE AREA	TOLERANCES UNLESS OTHERWISE NOTED	DESCRIPTION R4-20 DUAL STAGE, RIGHT HAND STAINLESS STEEL		
VOLUME	ALL DIMENSIONS WITHOUT TOLERANCES ARE FOR REFERENCE ONLY.	SIZE A3	SYSTEM NX	DWG NO. J-R4-20-30-501-20
PROPRIETARY ITEM <small>EXCEPT FOR USES EXPRESSLY GRANTED IN WRITING, INFORMATION DISCLOSED HEREON IS CONFIDENTIAL AND ALL RIGHTS, PATENT AND OTHERWISE, ARE RESERVED BY SOUTHCO, INC.</small>	PER ASME Y14.5M-1994	DRAWN BY VK	DATE 18MAY2018	SCALE 1:1
				SHEET 3 OF 3