

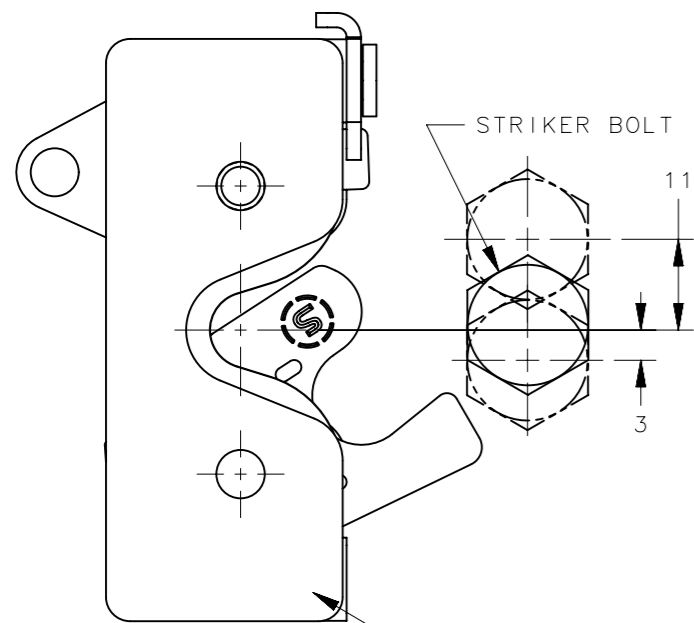
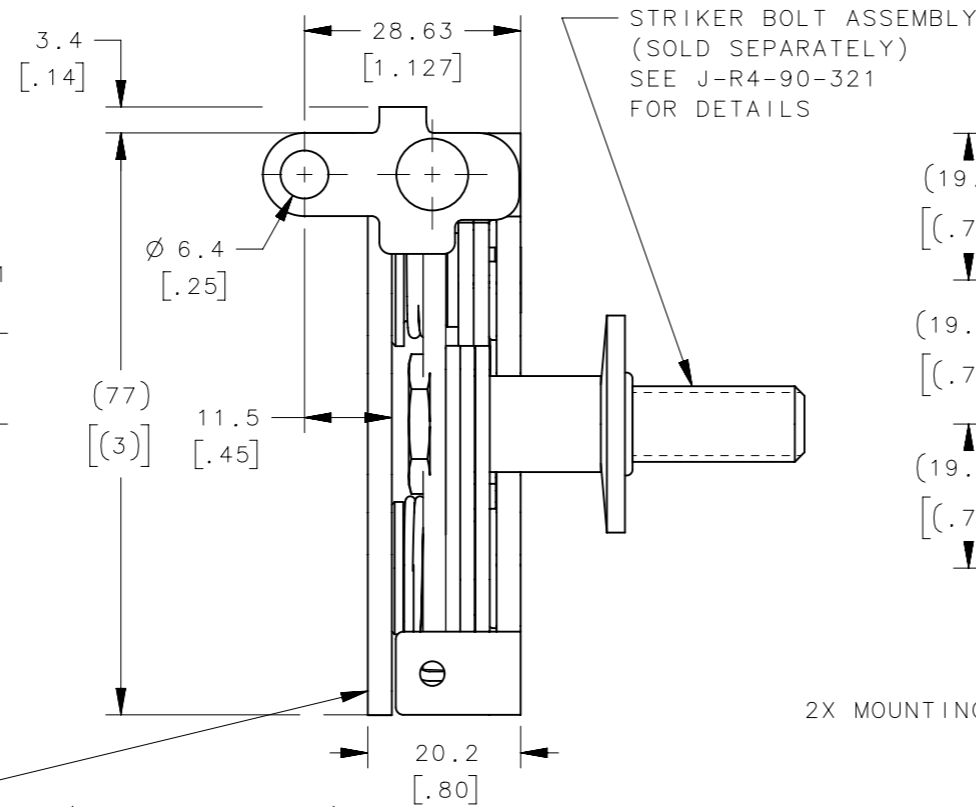
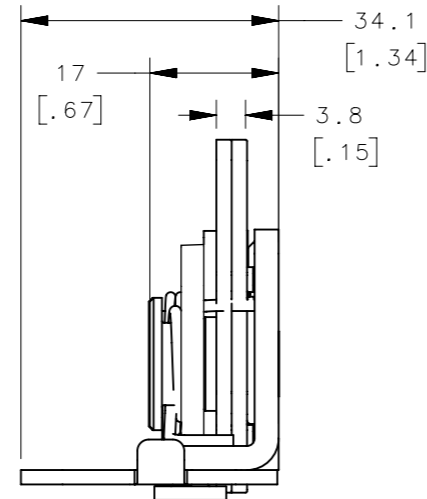
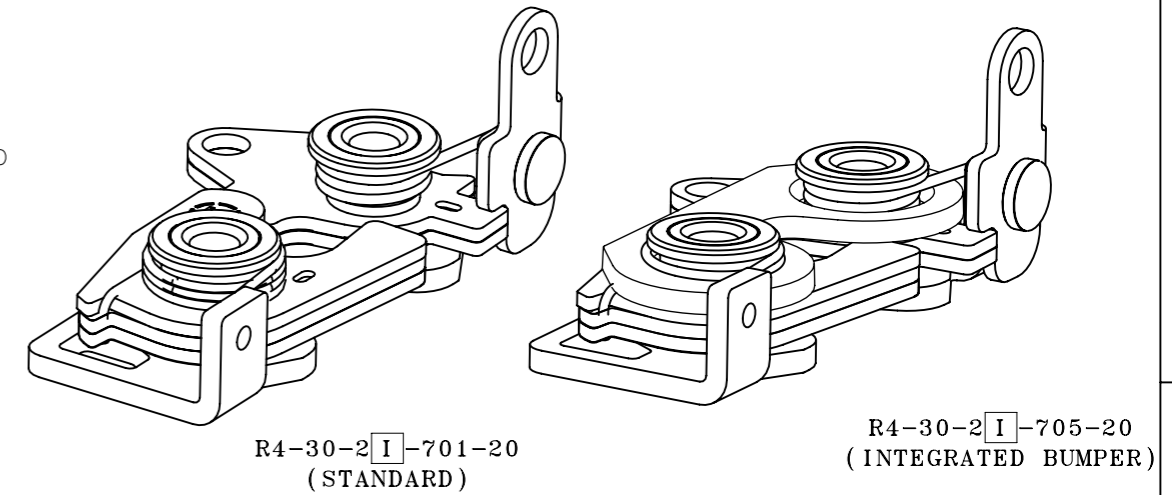
R4-30-2 I -70 B -20

REVISION HISTORY			
REV	DATE	BY	DESCRIPTION
B	02APR2021	ABK/VK	PRN: P2021-0654

I MOUNTING OPTION
 0 6.7 mm THRU HOLE
 1 1/4-20 THREAD
 2 M6 THREAD

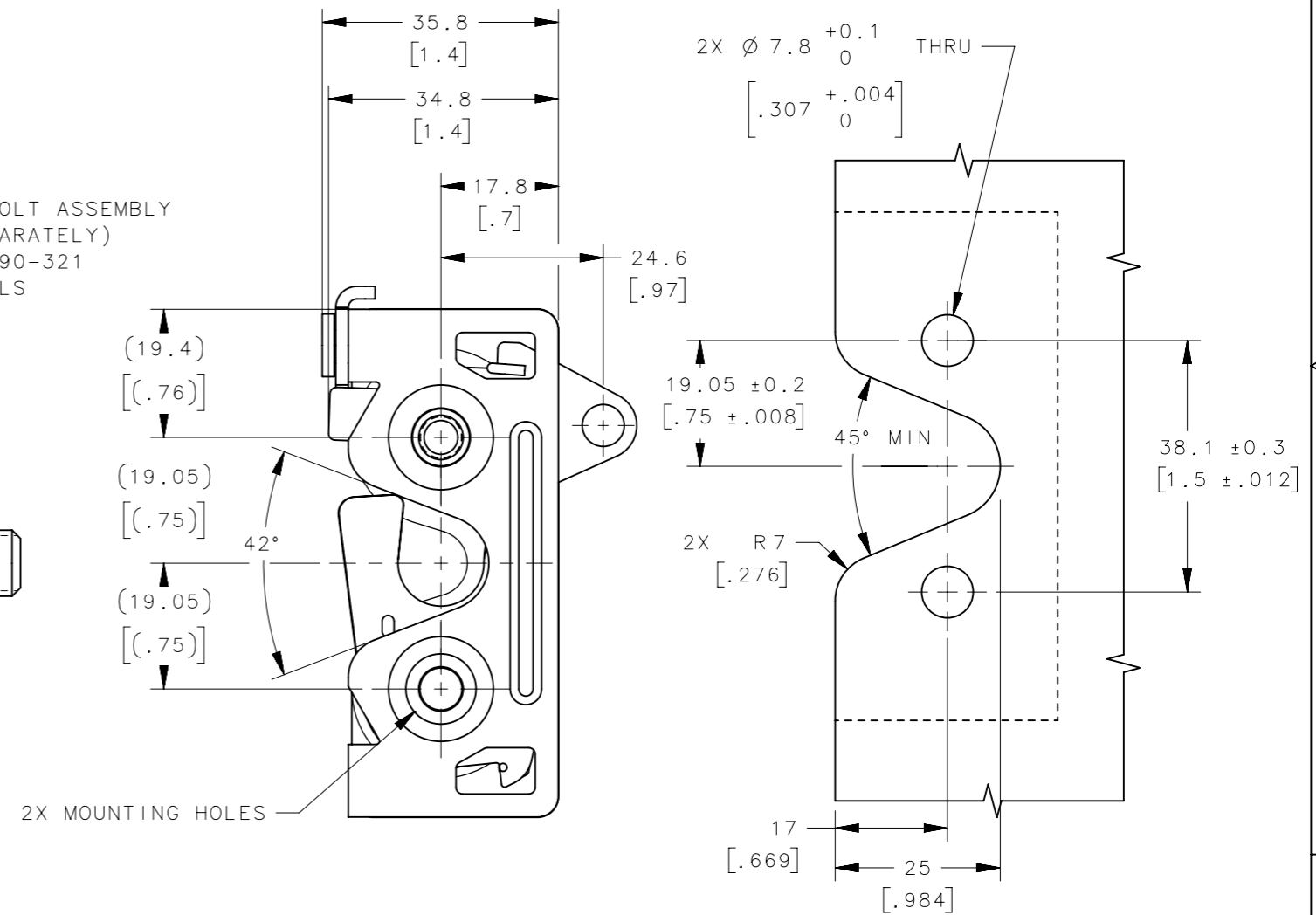
B LATCHING
 1 STANDARD
 5 INTEGRATED BUMPER

M MATERIAL
 20 STAINLESS STEEL, PASSIVATED



MISALIGNMENT VIEW
(SEE NOT 2)

OPTIONAL: (SOLD SEPARATELY)
 SUPPORT PLATE (R4-38-101-20)
 SEE J-R4-38-101-20 FOR DETAILS



NOTES:

- MATERIAL AND FINISH:
 A. HOUSING, LEVER AND INTERNAL COMPONENTS: STAINLESS STEEL, PASSIVATED
 B. PAWL AND TRIGGER: STAINLESS STEEL, PASSIVATED
 C. SPRINGS: STAINLESS STEEL, PASSIVATED
- THE MISALIGNMENT VIEW ASSUMES THE LATCH IS CONNECTED TO A PERFECTLY RIGID DOOR AND HINGE; THEREFORE, THERE IS NO DOOR AND/OR HINGE SLACK ASSOCIATED WITH THESE DIMENSIONS, THE MISALIGNMENT VIEW DOES NOT TAKE FLEXING OF THE STRIKER BOLT INTO ACCOUNT.
- SAME AS R4-4X-701-20 EXCPET SINGLE STAGE.

THIRD ANGLE PROJECTION		 CONNECT · CREATE · INNOVATE	
MILLIMETERS [IN]			
TOLERANCES UNLESS OTHERWISE NOTED		DESCRIPTION	
ALL DIMENSIONS WITHOUT TOLERANCES ARE FOR REFERENCE ONLY		R4 LATCH ASSEMBLY -DUAL TRIGGER LH, SS, SINGLE STAGE	
PROPRIETARY ITEM	PER ASME Y14.5M-1994	SIZE A3	SYSTEM NX
EXCEPT FOR USES EXPRESSLY GRANTED IN WRITING, INFORMATION DISCLOSED HEREON IS CONFIDENTIAL AND ALL RIGHTS, PATENT AND OTHERWISE, ARE RESERVED BY SOUTHCO, INC.	DATE 11DEC2019	DWG NO. J-R4-30-20-701-20	SCALE 1:1
		DRAWN BY RKS/VK	SHEET 1 OF 1