

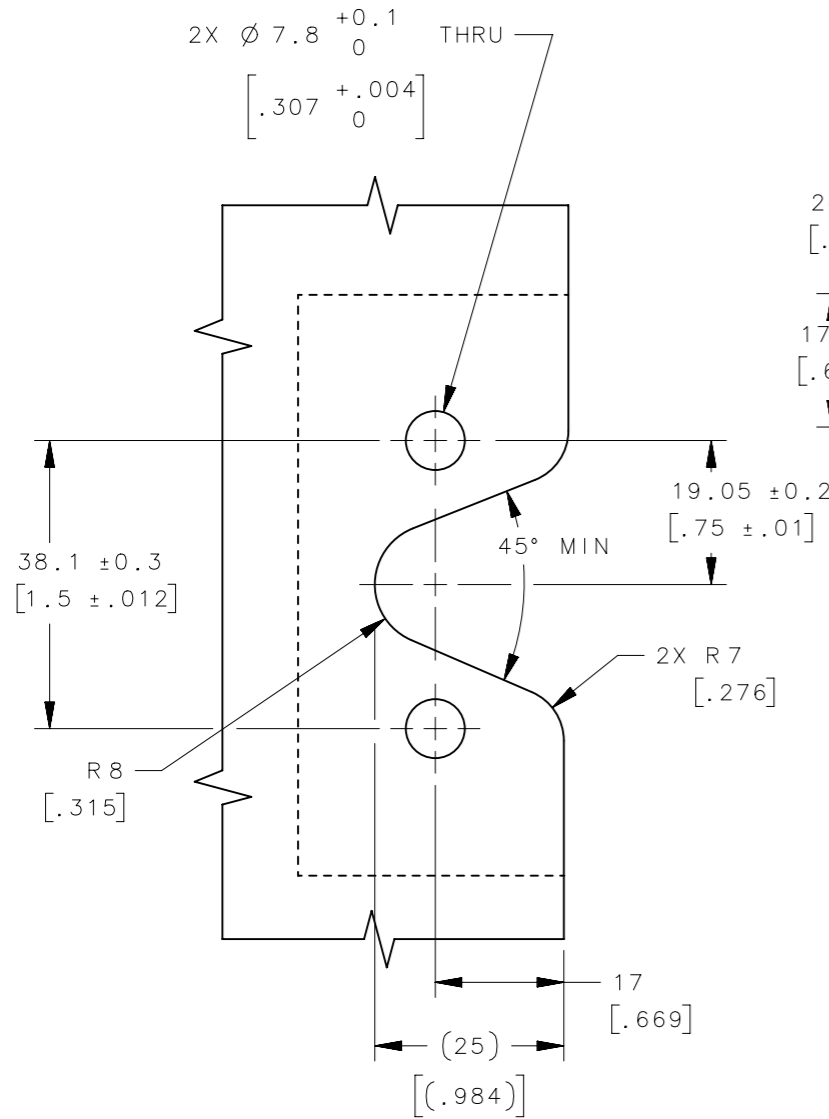
# R4-30-1 I -70 B-M

REVISION HISTORY			
REV	DATE	BY	DESCRIPTION
B	02APR2021	ABK/VK	PRN: P2021-0650

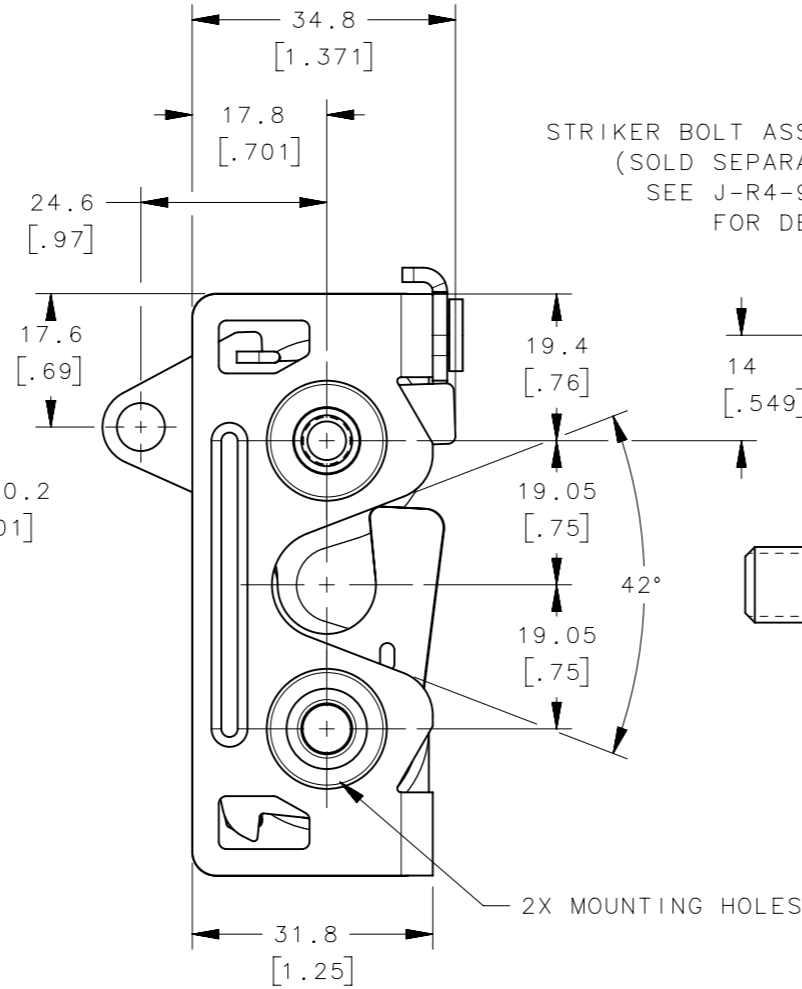
**I MOUNTING OPTION**  
 0 6.7 mm THRU HOLE  
 1 1/4-20 THREAD  
 2 M6 THREAD

**B LATCHING**  
 1 STANDARD  
 5 INTEGRATED BUMPER

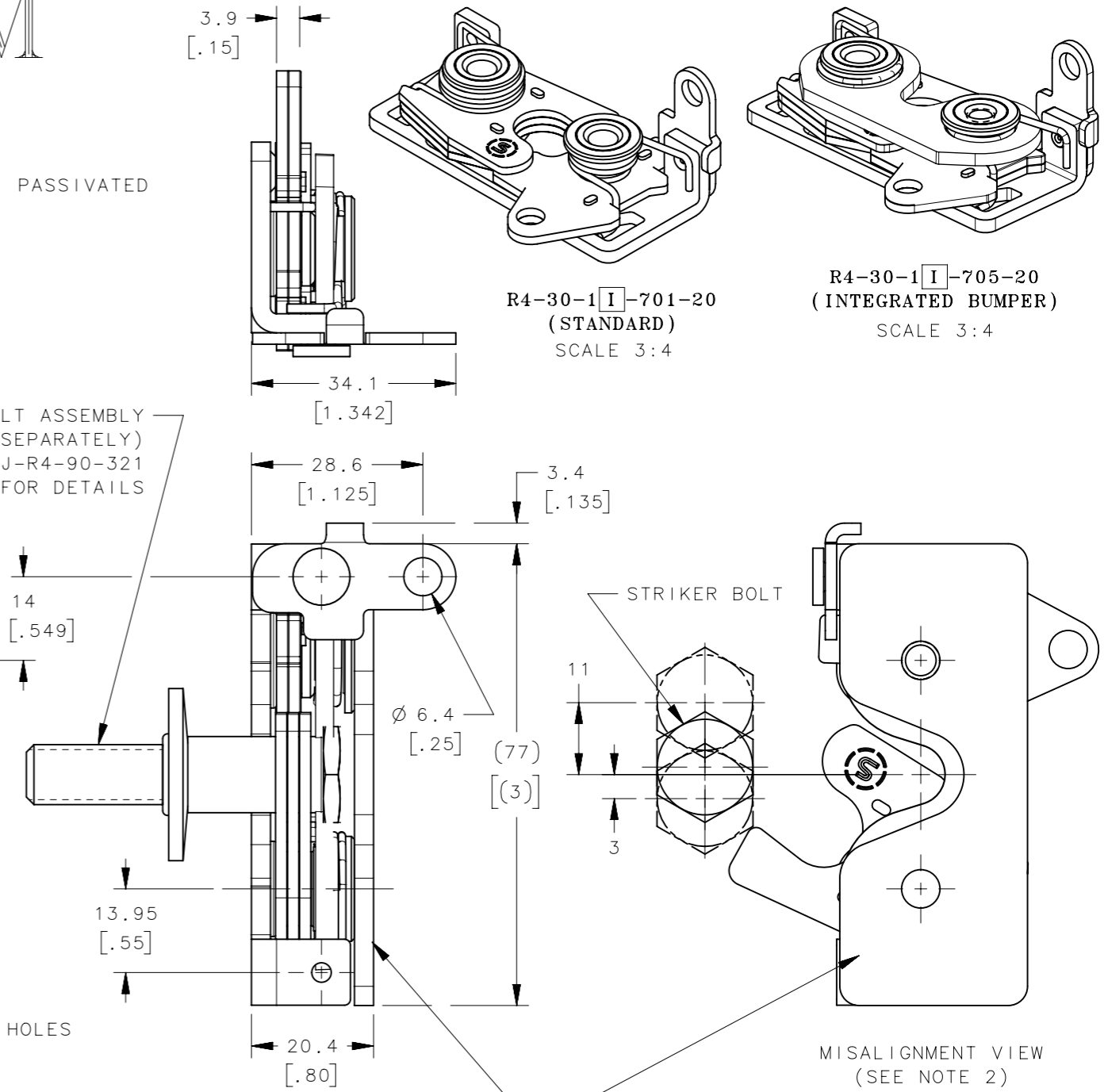
**M MATERIAL**  
 20 STAINLESS STEEL, PASSIVATED



## PANEL PREPARATION



STRIKER BOLT ASSEMBLY  
 (SOLD SEPARATELY)  
 SEE J-R4-90-321  
 FOR DETAILS



R4-30-1 I-701-20  
 (STANDARD)  
 SCALE 3:4

R4-30-1 I-705-20  
 (INTEGRATED BUMPER)  
 SCALE 3:4

OPTIONAL: (SOLD SEPARATELY)  
 SUPPORT PLATE (R4-38-101-20)  
 SEE J-R4-38-101-20 FOR DETAILS

### NOTES:

- MATERIAL AND FINISH:**
  - HOUSING, LEVER AND INTERNAL COMPONENTS: STAINLESS STEEL, PASSIVATED
  - PAWL AND TRIGGER: STAINLESS STEEL, PASSIVATED
  - SPRINGS: STAINLESS STEEL, PASSIVATED
- THE MISALIGNMENT VIEW ASSUMES THE LATCH IS CONNECTED TO A PERFECTLY RIGID DOOR AND HINGE; THEREFORE, THERE IS NO DOOR AND/OR HINGE SLACK ASSOCIATED WITH THESE DIMENSIONS, THE MISALIGNMENT VIEW DOES NOT TAKE FLEXING OF THE STRIKER BOLT INTO ACCOUNT.
- SAME AS R4-3X-701-20 EXCEPT SINGLE STAGE.

THIRD ANGLE PROJECTION						
MILLIMETERS [IN]	DESCRIPTION					
TOLERANCES UNLESS OTHERWISE NOTED	R4 LATCH ASSEMBLY - DUAL TRIGGER					
ALL DIMENSIONS WITHOUT TOLERANCES ARE FOR REFERENCE ONLY	RH, SS, SINGLE STAGE					
PROPRIETARY ITEM	SIZE	SYSTEM	DWG NO.	SCALE		
EXCEPT FOR USES EXPRESSLY GRANTED IN WRITING, INFORMATION DISCLOSED HEREON IS CONFIDENTIAL AND ALL RIGHTS, PATENT AND OTHERWISE, ARE RESERVED BY SOUTHCO, INC.	A3	NX	J-R4-30-10-701-20	1:1	SHEET 1 OF 1	
PER ASME Y14.5M-1994	DRAWN BY	DATE	SCALE	SHEET		
	RKS/VK	11DEC2019	1:1	1 OF 1		