

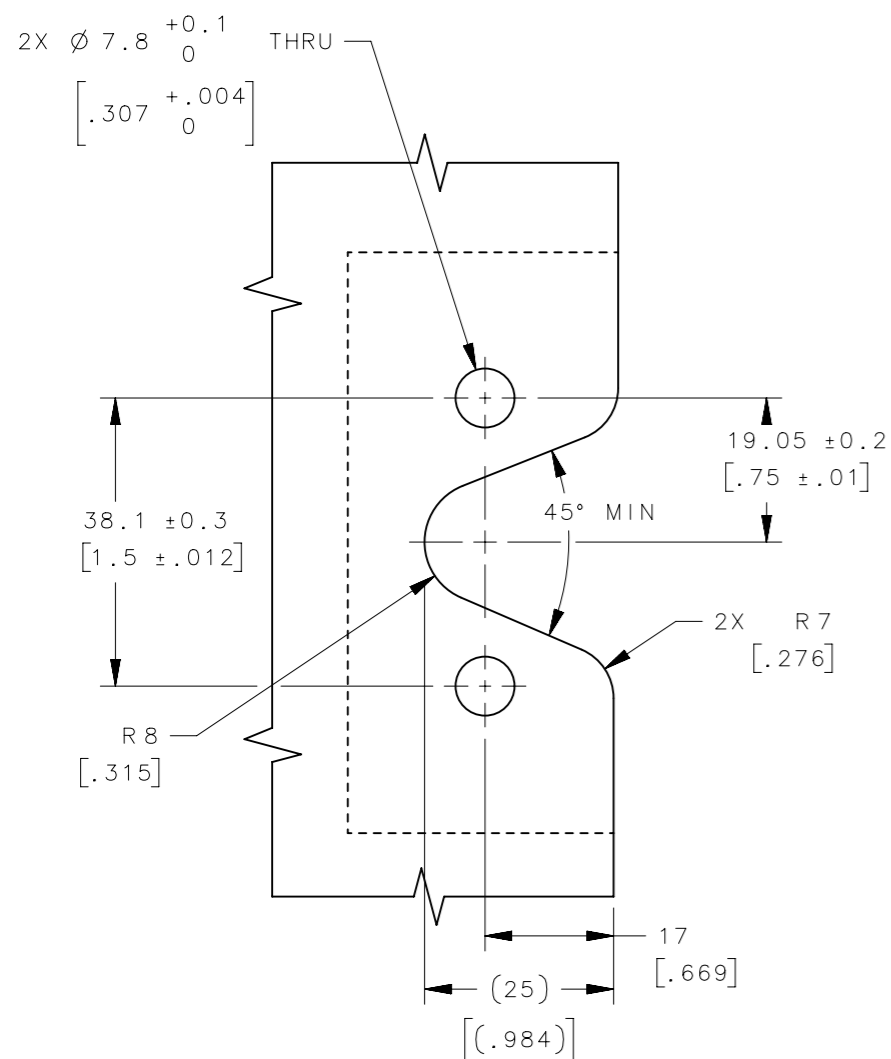
R4-30-1 I - 10 B - M

REVISION HISTORY			
REV	DATE	BY	DESCRIPTION
D	26MAR2021	ABK/VK	PRN: P2021-0594

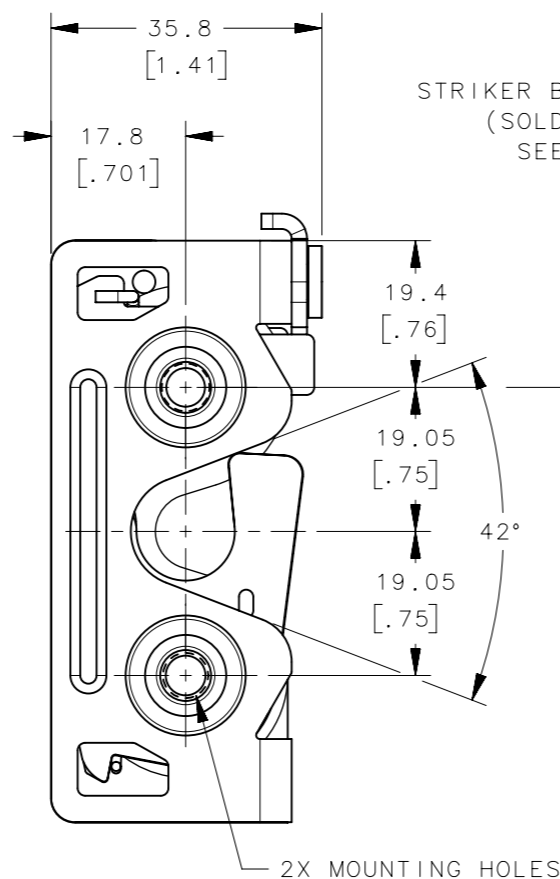
I MOUNTING OPTION
 0 6.7 mm THRU HOLE
 1 1/4-20 THREAD
 2 M6 THREAD

B BASE STYLE
 1 STANDARD
 5 INTEGRATED BUMPER

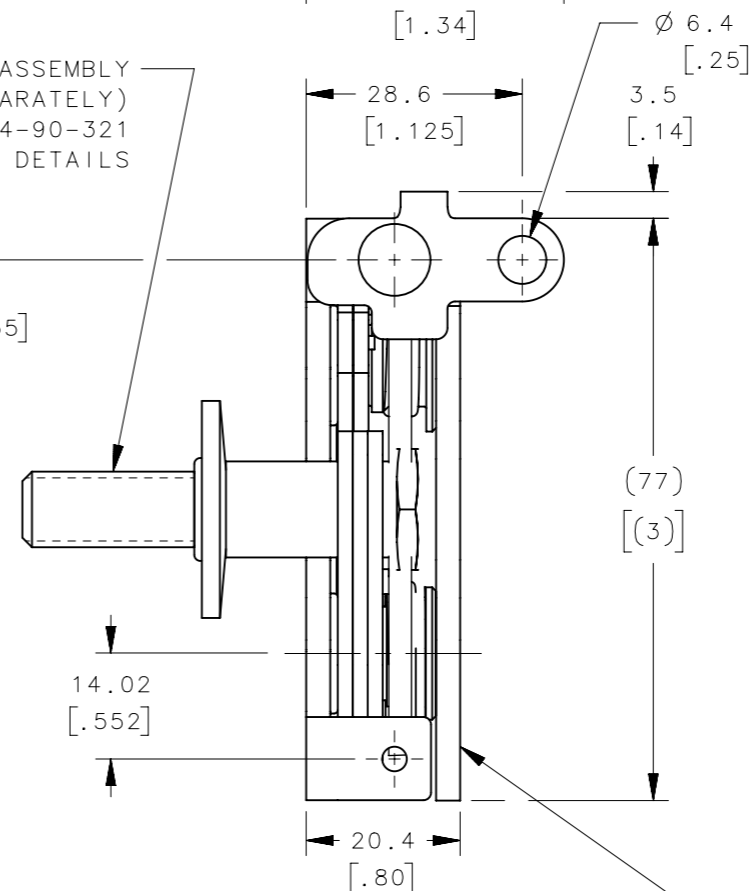
M MATERIAL
 10 STEEL, ZINC PLATED
 15 STEEL, BLACK ZINC NICKEL PLATED
 77 STEEL, ZINC NICKEL PLATED



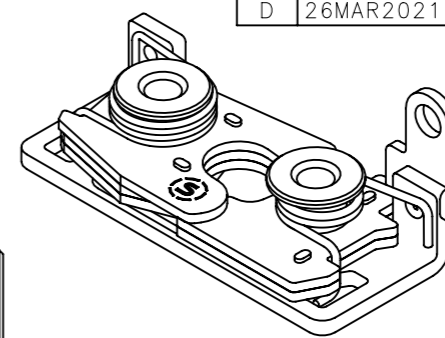
PANEL PREPARATION



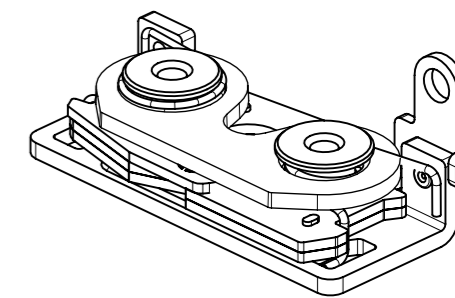
STRIKER BOLT ASSEMBLY
 (SOLD SEPARATELY)
 SEE J-R4-90-321
 FOR DETAILS



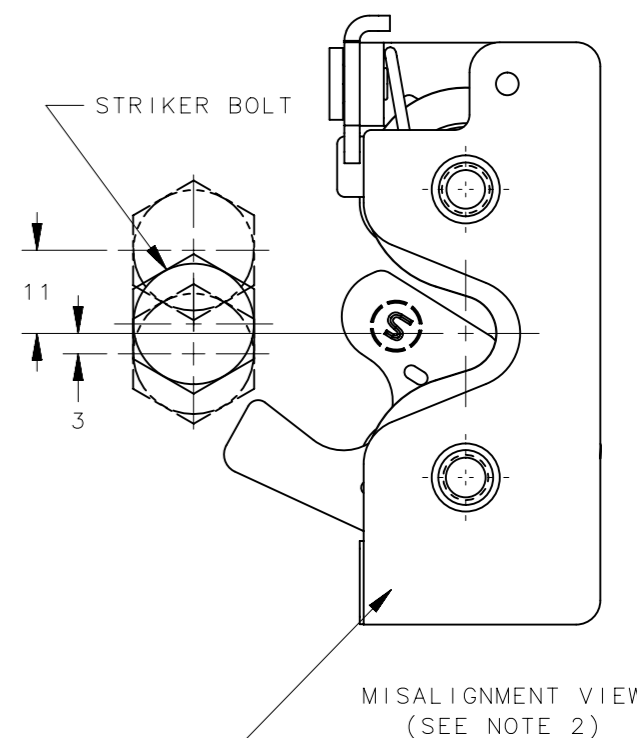
OPTIONAL: (SOLD SEPARATELY)
 SUPPORT PLATE (R4-38-101-10)
 SEE J-R4-38-101 FOR DETAILS



R4-30-1I-101-M
 (STANDARD)
 SCALE 3:4



R4-30-1I-105-M
 (INTEGRATED BUMPER)
 SCALE 3:4



NOTES:

- MATERIAL AND FINISH:**
 A. HOUSING, LEVER AND INTERNAL COMPONENTS: STEEL
 B. PAWL AND TRIGGER: HARDENED STEEL
 C. SPRINGS: STAINLESS STEEL, PASSIVATED
- THE MISALIGNMENT VIEW ASSUMES THE LATCH IS CONNECTED TO A PERFECTLY RIGID DOOR AND HINGE; THEREFORE, THERE IS NO DOOR AND/OR HINGE SLACK ASSOCIATED WITH THESE DIMENSIONS, THE MISALIGNMENT VIEW DOES NOT TAKE FLEXING OF THE STRIKER BOLT INTO ACCOUNT.
- SAME AS R4-30-3X-101-10 EXCPET SINGLE STAGE.

THIRD ANGLE PROJECTION		southco [®] CONNECT • CREATE • INNOVATE	
MILLIMETERS [IN]			
TOLERANCES UNLESS OTHERWISE NOTED		DESCRIPTION R4 LATCH ASSEMBLY - PERPENDICULAR RH, STEEL, SINGLE STAGE	
ALL DIMENSIONS WITHOUT TOLERANCES ARE FOR REFERENCE ONLY		SIZE A3	SYSTEM NX
PER ASME Y14.5M-1994		DWG NO. J-R4-30-10-101-10	DATE 11DEC2019
PROPRIETARY ITEM EXCEPT FOR USES EXPRESSLY GRANTED IN WRITING, INFORMATION DISCLOSED HEREON IS CONFIDENTIAL AND ALL RIGHTS, PATENT AND OTHERWISE, ARE RESERVED BY SOUTHCO, INC.		DRAWN BY RKS/VK	SCALE 1:1
		SHEET 1 OF 1	