

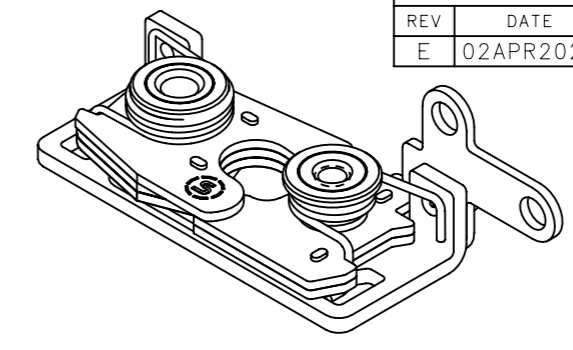
# R4-30-1 I -30 B-M

REVISION HISTORY			
REV	DATE	BY	DESCRIPTION
E	02APR2021	ABK/VK	PRN: P2021-0650

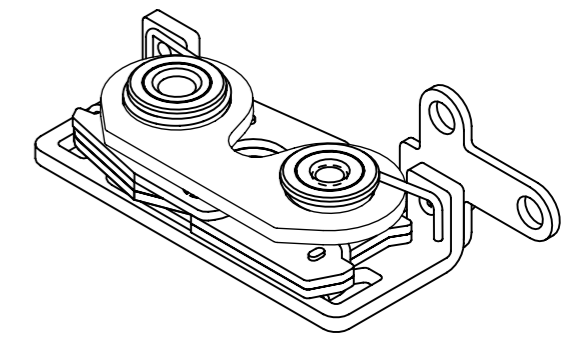
**I** MOUNTING OPTION  
 0 6.7 mm THRU HOLE  
 1 1/4-20 THREAD  
 2 M6 THREAD

**B** LATCHING  
 1 STANDARD  
 5 INTEGRATED BUMPER

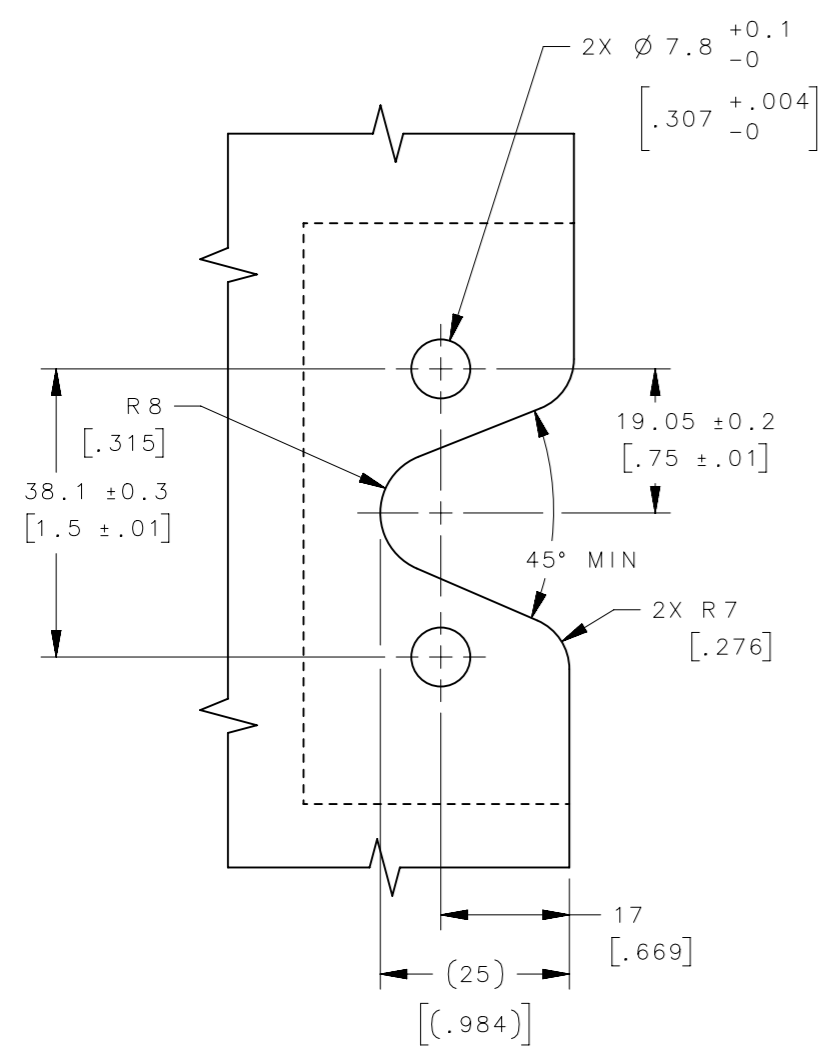
**M** MATERIAL  
 20 STAINLESS STEEL, PASSIVATED



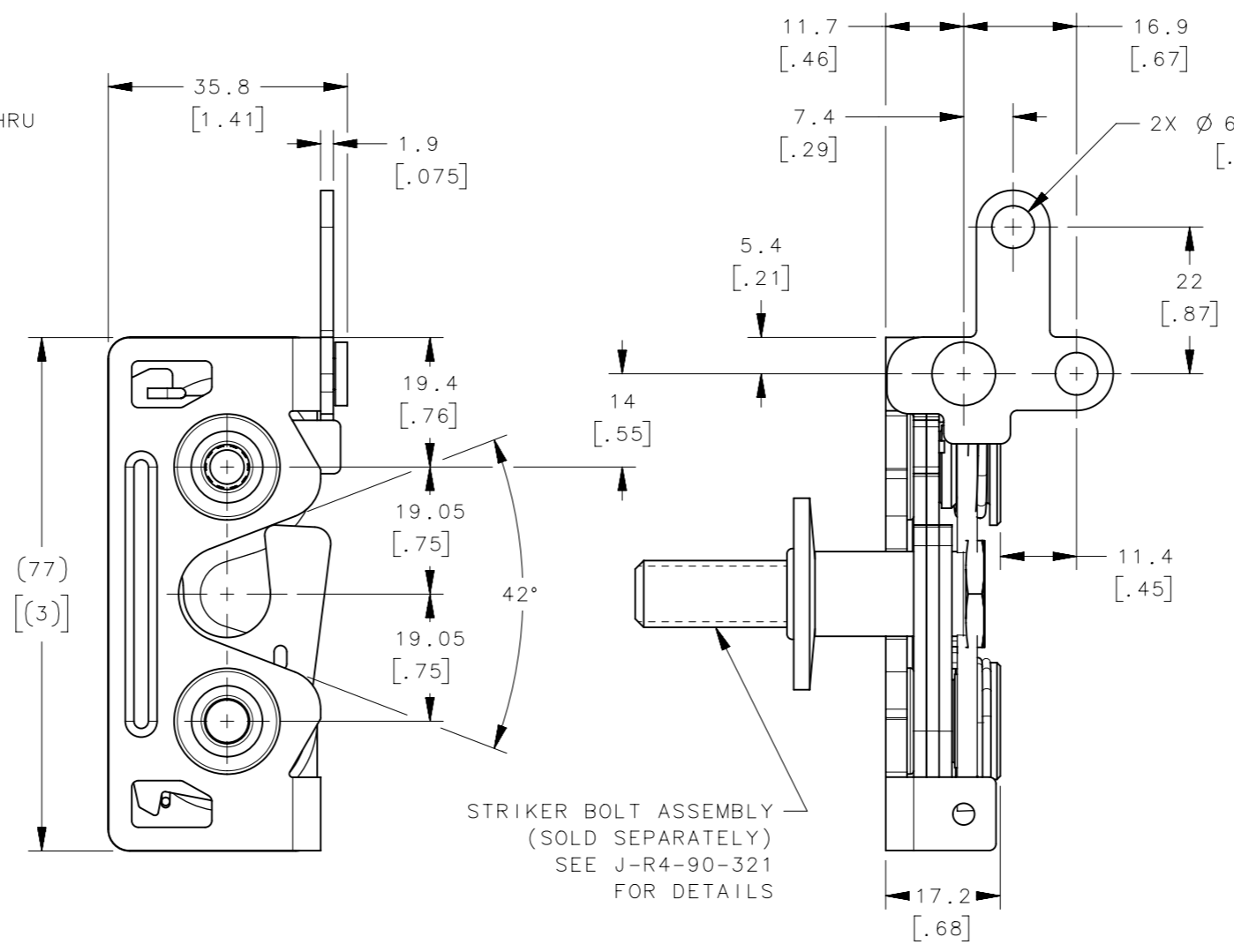
R4-30-1 I-301-20  
(STANDARD)



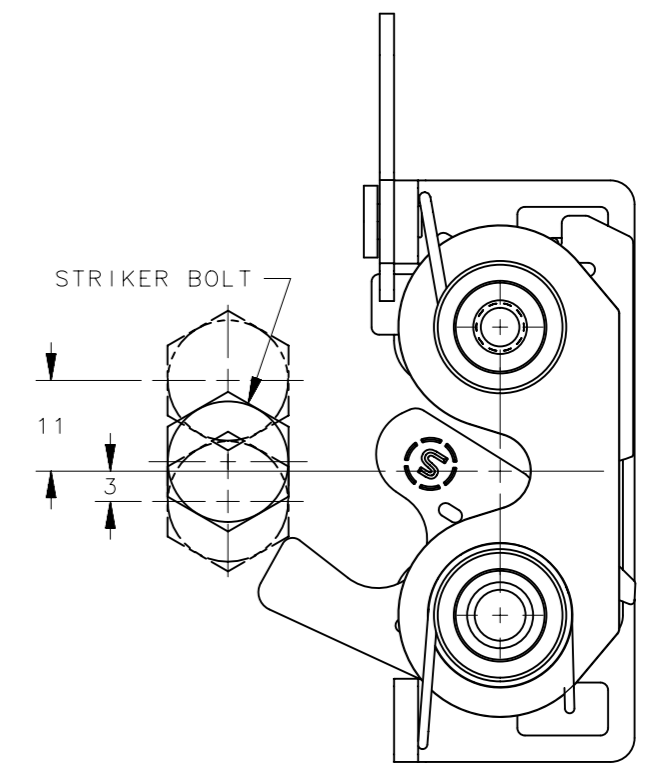
R4-30-1 I-305-20  
(INTEGRATED BUMPER)



## PANEL PREPARATION



STRIKER BOLT ASSEMBLY  
 (SOLD SEPARATELY)  
 SEE J-R4-90-321  
 FOR DETAILS



MISALIGNMENT VIEW  
 (SEE NOTE 2)

### NOTES:

- MATERIAL AND FINISH:  
 A. HOUSING, LEVER AND INTERNAL COMPONENTS:  
 STAINLESS STEEL, PASSIVATED  
 B. PAWL AND TRIGGER: STAINLESS STEEL, PASSIVATED  
 C. SPRINGS: STAINLESS STEEL, PASSIVATED
- THE MISALIGNMENT VIEW ASSUMES THE LATCH IS CONNECTED TO A PERFECTLY RIGID DOOR AND HINGE; THEREFORE, THERE IS NO DOOR AND/OR HINGE SLACK ASSOCIATED WITH THESE DIMENSIONS, THE MISALIGNMENT VIEW DOES NOT TAKE FLEXING OF THE STRIKER BOLT INTO ACCOUNT.
- SAME AS R4-30-3X-301-20 EXCEPT SINGLE STAGE.

THIRD ANGLE PROJECTION				 CONNECT • CREATE • INNOVATE	
MILLIMETERS [IN]					
TOLERANCES UNLESS OTHERWISE NOTED		DESCRIPTION			
ALL DIMENSIONS WITHOUT TOLERANCES ARE FOR REFERENCE ONLY		R4 LATCH ASSEMBLY - TWO POINT RH, SS, SINGLE STAGE			
PROPRIETARY ITEM	PER ASME Y14.5M-1994	SIZE	SYSTEM	DWG NO.	
EXCEPT FOR USES EXPRESSLY GRANTED IN WRITING, INFORMATION DISCLOSED HEREON IS CONFIDENTIAL AND ALL RIGHTS, PATENT AND OTHERWISE, ARE RESERVED BY SOUTHCO, INC.		A3	NX	J-R4-30-10-301-20	
		DRAWN BY	DATE	SCALE	SHEET
		RKS/PG	20FEB2018	1:1	1 OF 1