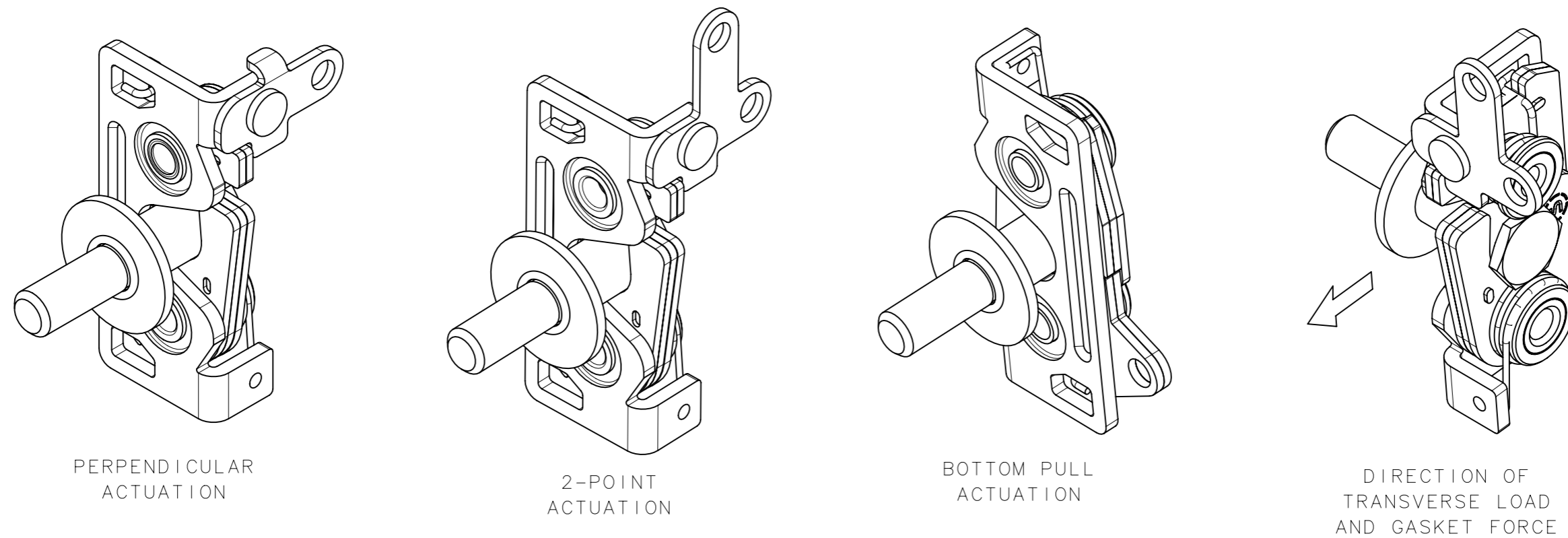


REVISION HISTORY			
REV	DATE	BY	DESCRIPTION
B	03MAY2018	MJS/CMK	PRN: P2018-1090

SOUTHCO PERFORMANCE GUIDELINES

THE PERFORMANCE GUIDELINES SHOWN ON THIS PAGE ARE SUPPLIED AS A GENERAL GUIDE ONLY, AS CONDITIONS VARY WITH EACH APPLICATION AND METHOD OF INSTALLATION. STRENGTH DATA GIVEN IS FOR FAILURE OF THE PRODUCT OR FOR SUFFICIENT DEFORMATION TO MAKE THE PRODUCT INOPERABLE. NO SAFETY FACTOR HAS BEEN APPLIED. IT IS RECOMMENDED THAT THE USER REQUEST A PRODUCT SAMPLE FOR TESTING TO DETERMINE THE SUITABILITY OF THE PRODUCT FOR THE PURPOSE INTENDED AND USER'S PARTICULAR APPLICATION.



PERFORMANCE VALUES FOR R4-30-XY-Z01-20

GASKET FORCE	AVERAGE FORCE REQUIRED TO ACTUATE (OPEN) LATCH	CYCLE LIFE
200 N (45 lb.)	73 N (16.4 lb.)	40,000

NOTE:

SOUTHCO LATCHES USED IN A PASSENGER RESTRAINT SYSTEM MUST BE FULLY TESTED IN THE DOOR SYSTEM.

1. CYCLE TESTS WERE PERFORMED WITH PART NUMBER R4-30-30-101-20 AND R4-30-30-501-20.
2. AVERAGE FORCE TO ACTUATE LATCH TESTS WERE PERFORMED WITH PART NUMBER R4-30-30-101-20.
3. AVERAGE TENSILE FORCE BEFORE LATCH FRACTURE OR STRIKER PULL-OUT TRANSVERSE LOAD TESTING: 1600 lbs AT PRIMARY LATCH POSITION.
4. CYCLE AND TENSILE TESTS WERE PERFORMED WITH THE STRIKER AT THE NOMINAL LATERAL POSITION (ZERO MISALIGNMENT) FOR 40,000 CYCLES.

REF: trR4-25362, 31234, 33253

	THIRD ANGLE PROJECTION	 CONNECT • CREATE • INNOVATE	
	MILLIMETERS [IN]		
SURFACE AREA	TOLERANCES UNLESS OTHERWISE NOTED	DESCRIPTION R4 ROTARY LATCH, SS	
VOLUME	UP TO 0.5 ±0.05 OVER 0.5 UP TO 6 ±0.1 OVER 6 UP TO 30 ±0.2 OVER 30 ±0.3 ANGLES ±1°	SIZE A3	SYSTEM NX
PROPRIETARY ITEM <small>EXCEPT FOR USES EXPRESSLY GRANTED IN WRITING, INFORMATION DISCLOSED HEREON IS CONFIDENTIAL AND ALL RIGHTS, PATENT AND OTHERWISE, ARE RESERVED BY SOUTHCO, INC.</small>	PER ASME Y14.5M-1994	DWG NO. TD-R4-3-J	DATE 17NOV2017
		DRAWN BY JDO/MJS	SCALE 1:1
			SHEET 1 OF 1