

| REVISION HISTORY |           |         |                |
|------------------|-----------|---------|----------------|
| REV              | DATE      | BY      | DESCRIPTION    |
| H                | 27APR2020 | DJK/MLL | PRN:P2020-0792 |

NOTES:

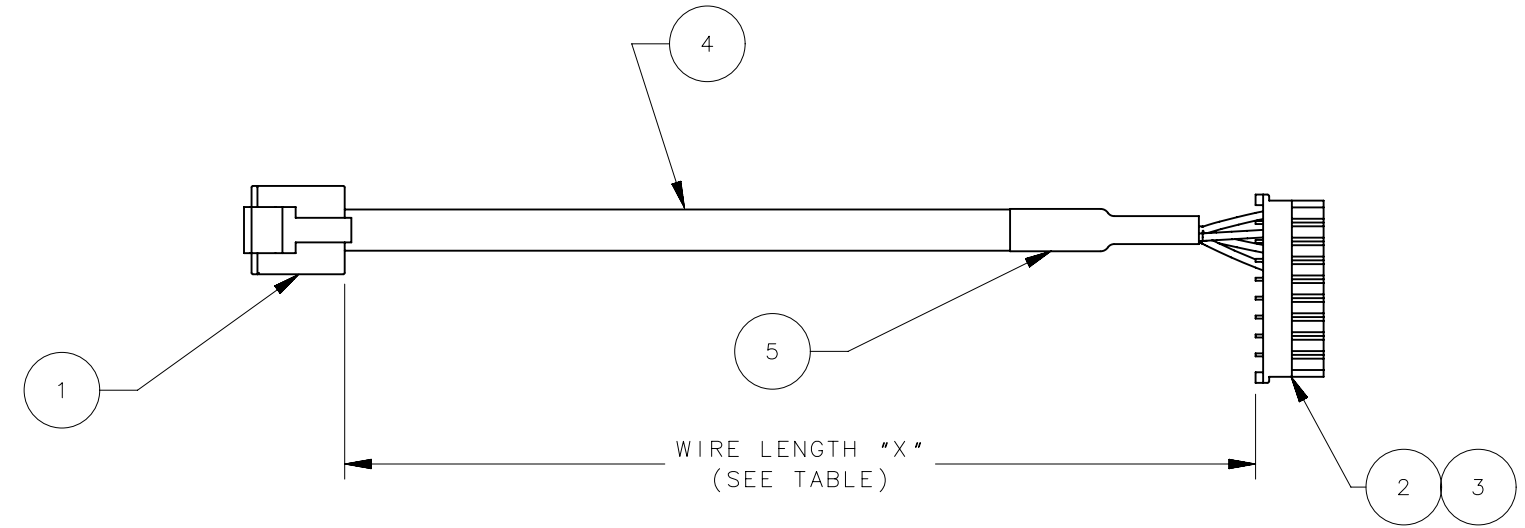
A. CABLE  
CAT 5E, UNSHIELDED  
BLACK PVC JACKET

B. WIRE DESIGNATION TABLE

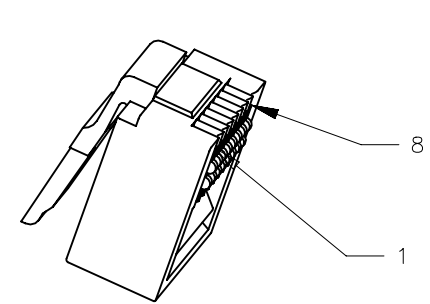
| WIRE COLOR   | P1         | P2            |
|--------------|------------|---------------|
| ORANGE/WHITE | 1          | 9             |
| ORANGE       | 2          | 8             |
| GREEN/WHITE  | 3          | 7             |
| GREEN        | 4          | 6             |
| NOT USED     | 5, 6, 7, 8 | 1, 2, 3, 4, 5 |

C. MATERIALS COMPLY WITH RoHS DIRECTIVE.

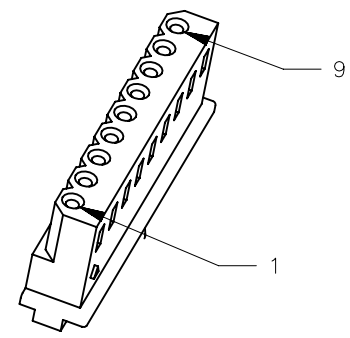
D. LENGTH MEASURED FROM BACK OF CONNECTOR TO BACK OF CONNECTOR.



| WIRE LENGTH TABLE |             |                |
|-------------------|-------------|----------------|
| "X"               | LENGTH (mm) | TOLERANCE (mm) |
| A                 | 150         | +25mm -0mm     |
| B                 | 460         | +50mm -0mm     |
| 1                 | 1000        | +50mm -0mm     |
| 2                 | 2000        | +100mm -0mm    |
| 3                 | 3000        | +100mm -0mm    |
| 4                 | 4000        | +150mm -0mm    |
| 5                 | 5000        | +150mm -0mm    |



P1 PIN DESIGNATION  
SCALE 2:1



P2 PIN DESIGNATION  
SCALE 2:1

| NO. | COMPONENT              | QTY | PART NO.   | SPECIFICATIONS |
|-----|------------------------|-----|--|----------------|
| 5   | HEAT SHRINKABLE TUBING | 1   | -  | BLACK          |
| 4   | CABLE                  | -   | -  | SEE NOTE A     |
| 3   | CONTACT (P2)           | 4   | MOLEX: 08-70-1039 OR 08-70-1040 (OR APPROVED EQUIVALENT) | -              |
| 2   | CONNECTOR (P2)         | 1   | MOLEX: 50-37-5093 (OR APPROVED EQUIVALENT)               | -              |
| 1   | CONNECTOR (P1)         | 1   | MOLEX: 90075-0141 (OR APPROVED EQUIVALENT)               | -              |
| -   | ASSEMBLY               | 1   | EA-W52-X06-80  | -              |

|  |  |                            |                 |
|--|--|----------------------------|-----------------|
| THIRD ANGLE PROJECTION   |  |                            |                 |
| MILLIMETERS [IN]   |  |                            |                 |
| TOLERANCES UNLESS OTHERWISE NOTED  |  | DESCRIPTION                |                 |
| UP TO 0.5 ±0.05  |  | WIRE HARNESS               |                 |
| OVER 0.5 UP TO 6 ±0.1  |  |                            |                 |
| OVER 6 UP TO 30 ±0.2   |  |                            |                 |
| OVER 30 ±0.3   |  |                            |                 |
| ANGLES ±1°   |  |                            |                 |
| PROPRIETARY ITEM<br>EXCEPT FOR USES EXPRESSLY GRANTED IN WRITING, INFORMATION DISCLOSED HEREON IS CONFIDENTIAL AND ALL RIGHTS, PATENT AND OTHERWISE, ARE RESERVED BY SOUTHCO, INC. |  | SIZE<br>A3                 | SYSTEM<br>NX    |
| PER ASME Y14.5M-1994   |  | DWG NO.<br>J-EA-W52-X06-80 | SCALE<br>1:1    |
| DRAWN BY<br>ACH  |  | DATE<br>6AUG2010           | SHEET<br>1 OF 1 |