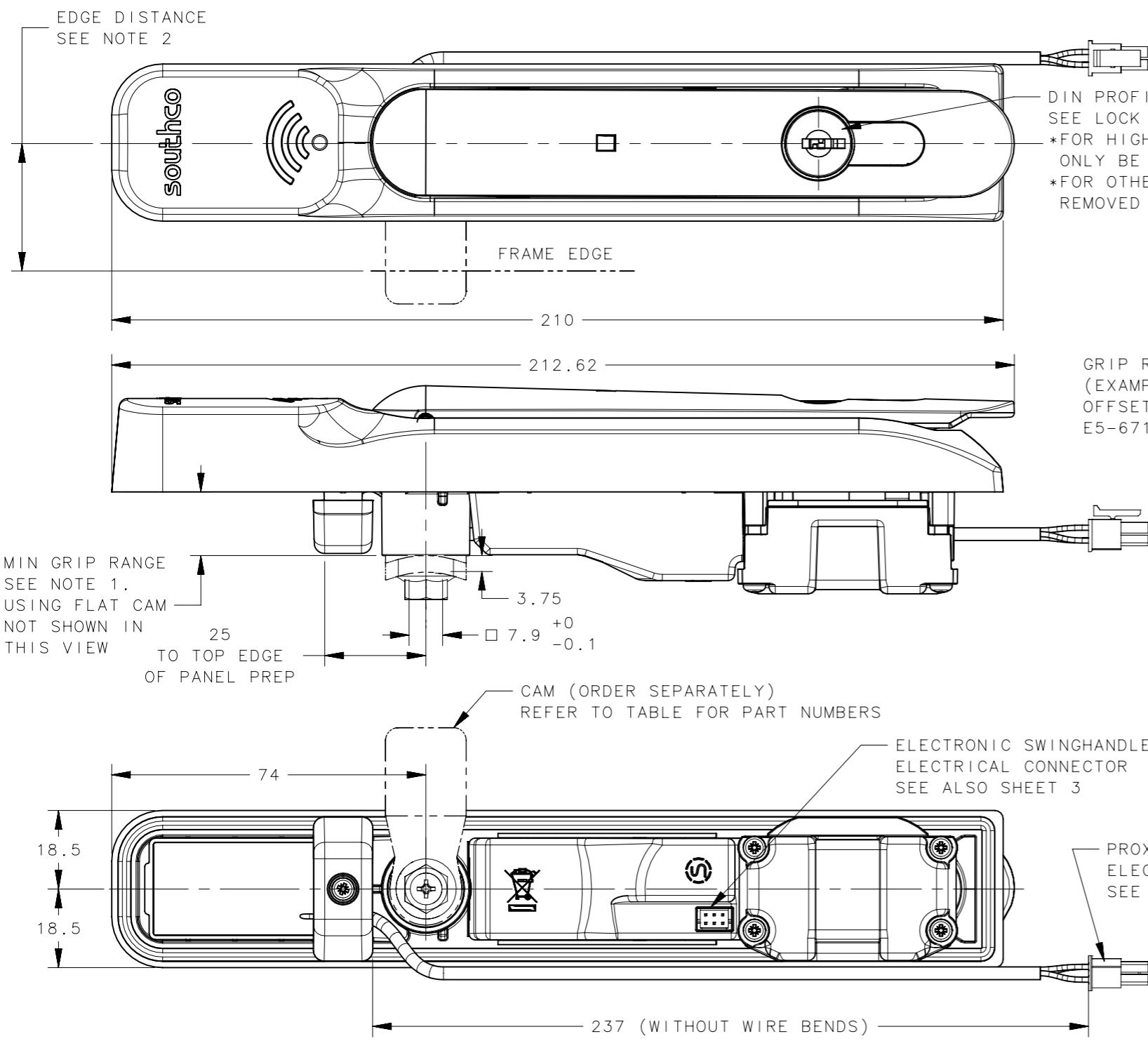
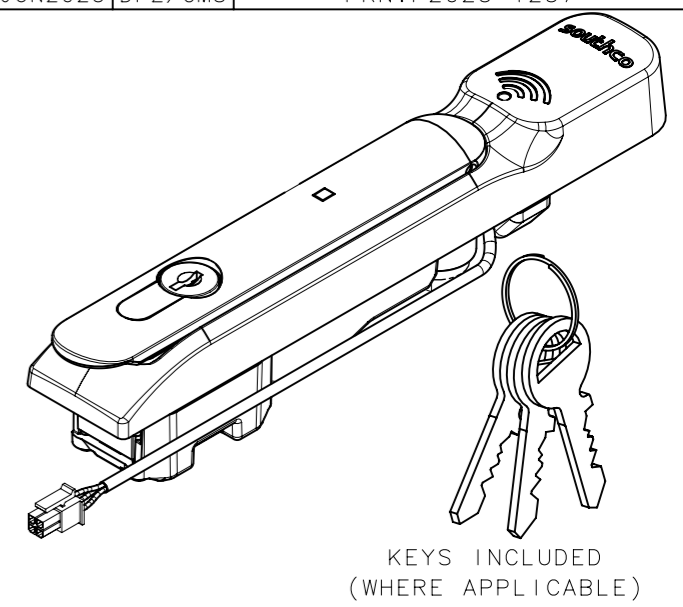


REVISION HISTORY			
REV	DATE	BY	DESCRIPTION
E	21JUN2023	DPZ/CMS	PRN:P2023-1257



DIN PROFILE LOCKPLUG
SEE LOCK STYLE SELECTION OPTIONS.
*FOR HIGH SECURITY DIN LOCK ONLY - KEY CAN ONLY BE INSERTED/REMOVED IN LOCKED POSITION.
*FOR OTHER LOCK OPTIONS, KEY CAN BE INSERTED/REMOVED IN LOCKED OR UNLOCKED POSITION.

GRIP RANGE
(EXAMPLE USING
OFFSET CAM P/N
E5-6711)



KEYS INCLUDED
(WHERE APPLICABLE)

NOTES:

- MIN GRIP RANGE WITH FLAT CAM 15.5mm
EXAMPLE SHOWN: 2mm OFFSET CAM - GRIP RANGE 17.5mm
- FOR CAM LENGTH 38mm -EDGE DISTANCE 30mm.
FOR CAM LENGTH 45mm. -EDGE DISTANCE 37mm
- SELECT CAM PART NUMBERS ACCORDING TO TABLE TO PROVIDE GRIP REQUIRED.

CAM PART NUMBER (ORDER SEPERATELY)		
GRIP	CAM LENGTH (1) 38 MM	CAM LENGTH (2) 45 MM
15.5	E5-6710	-
17.5	E5-6711	-
19.5	E5-6712	E5-6112
21.5	E5-6713	E5-6113
23.5	E5-6714	E5-6114

OTHER ADDITIONAL OFFSETS:

- SEE SOUTHCO DRAWINGS J-E5-67-A & J-E5-67-B
- SEE SOUTHCO DRAWINGS J-E5-61-A

- THE H3-EM-62-000 IS SHIPPED WITHOUT A LOCKPLUG. THIS PRODUCT MUST BE PAIRED WITH A SOUTHCO APPROVED LOCK TO FUNCTION PROPERLY. USE WITH AN UNAPPROVED LOCK PLUG VOIDS THE PRODUCT WARRANTY.
- RFID READS IS COMPATIBLE WITH MULTIPLE CARDS. REFER TO OPERATIONAL INSTRUCTION J-H3-EM-62-100-M FOR DEFAULT COMPATIBLE CARDS
- WIRE HARNESS (NOT INCLUDED)
SOUTHCO P/N: EA-W01-23-507 (FROM PROXIMITY MODULE AND ACTUATOR TO STRIPPED AND TINNED
*CONTACT SOUTHCO FOR OTHER LENGTHS AND CONNECTOR OPTIONS

ELECTRONIC SWINGHANDLE PART NUMBER SELECTION

H3-EM-62-LLL-XX

- LLL LOCK STYLE
000 NO LOCK OR KEYS
001 BLANK LOCKPLUG: BRIGHT CHROME
002 BLANK LOCKPLUG: RESERVED
003 BLANK LOCKPLUG: RESERVED
100 HIGH SECURITY DIN LOCK (3 KEYS)
200 KEY CODE CH-751 (2 KEYS INCLUDED)
3LL KEY CODE RS001 (2 KEYS INCLUDED)
LL 00 FOR KEY CODE RS001
(CONTACT SOUTHCO FOR OTHER AVAILABLE KEY CODES)

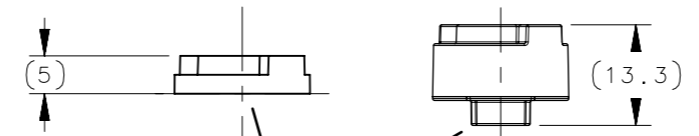
- XX LOGO STYLE
NONE = NO LOGO
10 = SOUTHCO LOGO

THIRD ANGLE PROJECTION	MILLIMETERS [IN]		DESCRIPTION H3-EM ELECTRONIC SWINGHANDLE WITH 125kHz AND 13.56MHz RFID READER	
TOLERANCES UNLESS OTHERWISE NOTED		DRAWN BY DJK/KAM		DATE 28APR2017
ALL DIMENSIONS WITHOUT TOLERANCES ARE FOR REFERENCE ONLY.		SCALE 1:1		SHEET 1 OF 4
PER ASME Y14.5M-1994		DRAWN BY DJK/KAM		DATE 28APR2017

PROPRIETARY ITEM
EXCEPT FOR USES EXPRESSLY GRANTED IN WRITING, INFORMATION DISCLOSED HEREON IS CONFIDENTIAL AND ALL RIGHTS, PATENT AND OTHERWISE, ARE RESERVED BY SOUTHCO, INC.

REVISION HISTORY			
REV	DATE	BY	DESCRIPTION
E	21JUN2023	DPZ/CMS	PRN:P2023-1257

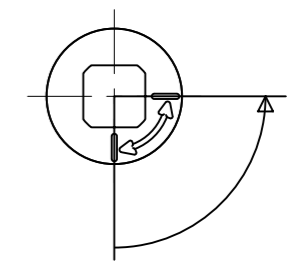
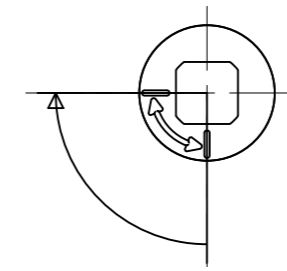
1. USE ONLY MOUNTING HARDWARE SUPPLIED.
2. MAXIMUM TIGHTENING TORQUE FOR MOUNTING SCREWS 0.5Nm.
3. CAM SCREW INSTALLATION TORQUE 3Nm - 5Nm.
4. USE #1 POZIDRIV DRIVER WHEN INSTALLING MOUNTING SCREWS.



ROTATION LIMITER: (LEFT HAND MOUNTING SHOWN)
 SELECT THIN ROTATION LIMITER FOR STANDARD APPLICATIONS
 USE THICK ROTATION LIMITER FOR ADDITIONAL CLEARANCE AS
 REQUIRED ON MULTI POINT SYSTEMS
 ORIENTATION ACCORDING TO REQUIRED HANDLE OPERATION
 (LEFT OR RIGHT HANDED MOUNTING)

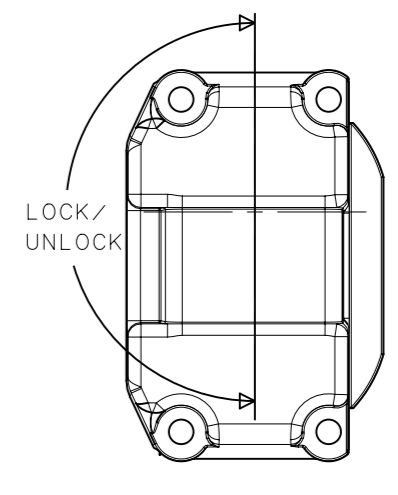
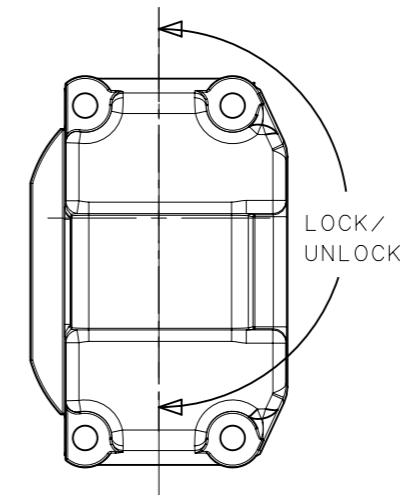
OPTION 1 FOR INSTALLATION
 OF ROTATION LIMITER
 - VIEWED FROM BACK -

OPTION 2 FOR INSTALLATION
 OF ROTATION LIMITER
 - VIEWED FROM BACK -



LEFT HAND MOUNTING
 TO OPEN: TURN HANDLE 90°
 COUNTER CLOCKWISE IF VIEWED
 FROM FRONT

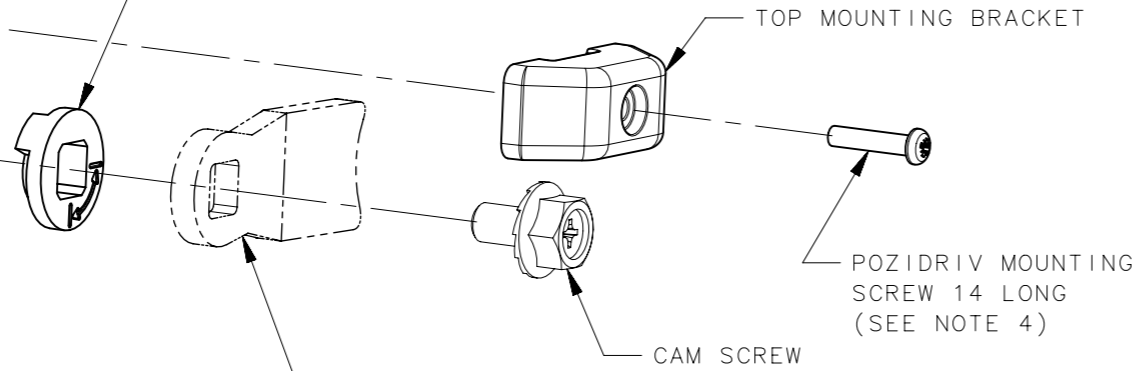
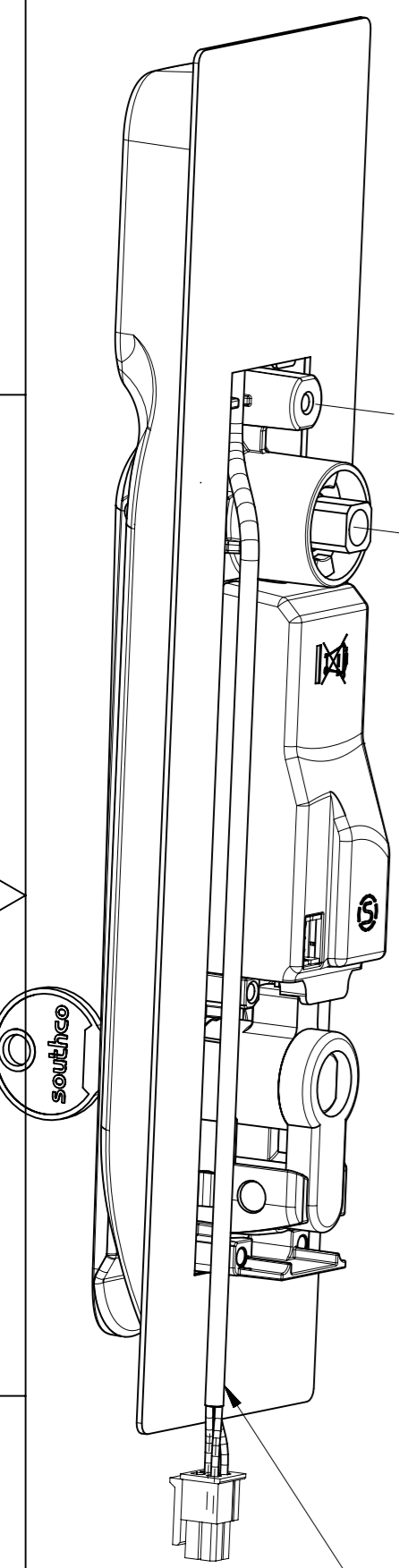
RIGHT HAND MOUNTING
 TO OPEN: TURN HANDLE 90°
 CLOCKWISE IF VIEWED
 FROM FRONT



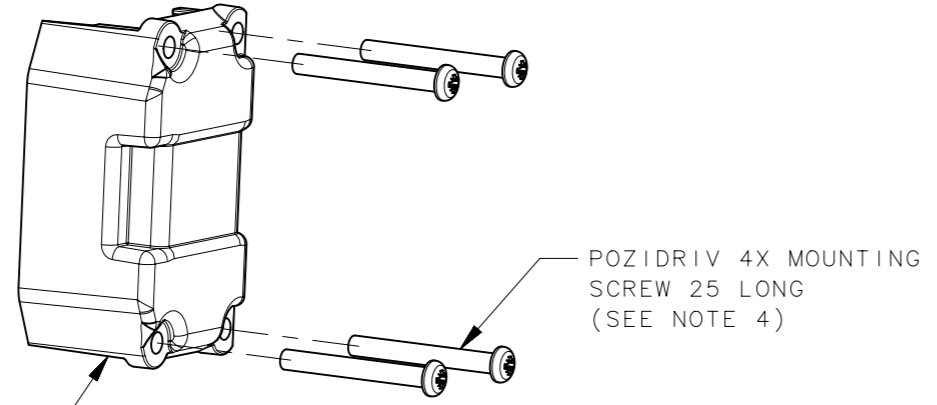
LEFT HAND MOUNT
 WHEN H3-61-55-33
 MULTI POINT SYSTEM
 IS USED.

RIGHT HAND MOUNT
 WHEN H3-61-55-33
 MULTI POINT SYSTEM
 IS USED.

INSTALLATION OF BOTTOM MOUNTING BRACKET
 OPERATION OF LOCK PLUG CORRESPONDS WITH
 ORIENTATION OF BOTTOM MOUNTING BRACKET



PAWL (ORDERED SEPARATELY):
 ORIENTATION ACCORDING TO
 REQUIRED HANDLE OPERATION
 (LEFT OR RIGHT HANDED MOUNTING)
 (LEFT HAND MOUNTING SHOWN)



BOTTOM MOUNTING BRACKET:
 ORIENTATION ACCORDING TO
 REQUIRED LOCK PLUG OPERATION
 (LEFT OR RIGHT HANDED MOUNTING)

CAUTION: SECURE WIRES SUCH THAT THEY DO NOT
 INTERFERE WITH LATCH CAM AND LOCK PLUG
 CHECK THAT THE WIRES ARE NOT PINCHED
 BETWEEN THE LATCH HOUSING AND PANEL

THIRD ANGLE PROJECTION				southco [®] CONNECT • CREATE • INNOVATE		
TOLERANCES UNLESS OTHERWISE NOTED			DESCRIPTION			
ALL DIMENSIONS WITHOUT TOLERANCES ARE FOR REFERENCE ONLY.			H3-EM ELECTRONIC SWINGHANDLE WITH 125kHz AND 13.56MHz RFID READER			
PROPRIETARY ITEM	SIZE	SYSTEM	DWG NO.	J-H3-EM-62-100		
EXCEPT FOR USES EXPRESSLY GRANTED IN WRITING, INFORMATION DISCLOSED HEREON IS CONFIDENTIAL AND ALL RIGHTS, PATENT AND OTHERWISE, ARE RESERVED BY SOUTHCO, INC.	A3	NX	DATE	28APR2017	SCALE 1:1 SHEET 2 OF 4	
PER ASME Y14.5M-1994			DRAWN BY	DJK/KAM	SCALE 1:1 SHEET 2 OF 4	

REVISION HISTORY			
REV	DATE	BY	DESCRIPTION
E	21JUN2023	DPZ/CMS	PRN:P2023-1257

ACTUATOR MODULE
ELECTRICAL SPECIFICATION:

- A. POWER: 12VDC +/-10%
 - OPERATING CURRENT: LESS THAN 200mA
 WITH NO EXTERNAL MECHANICAL LOAD APPLIED TO HANDLE.
 - MAX CURRENT WITH STALLED ACTUATOR: 1A MAX
 (STALL LIMITED TO 2 SECONDS)
 - STANDBY CURRENT: 25mA TYPICAL.
- B. CONTROL INPUT:
 - TO UNLOCK: APPLY 12VDC SIGNAL FOR A MINIMUM OF 100
 MILLISECONDS THE LATCH WILL REMAIN UNLOCKED FOR AS
 LONG AS THE SIGNAL IS PRESENT OR A MINIMUM OF 3 SECONDS.
- C. STATUS OUTPUTS:
 - OPEN COLLECTOR OUTPUT. 100mA MAX
 - CAUTION! TO PREVENT DAMAGE TO THE
 PRODUCT DO NOT EXCEED MAXIMUM LOADS
 STATED AND FOLLOW WIRING DIRECTIVES.
 - FOR OUTPUT SIGNAL DETAILS AND LED
 SEQUENCE SEE LATCH STATUS DEFINITION
 TABLE ON SHEET 4.
- D. CONNECTION:
 - SIX POSITION CONNECTOR
 - HIROSE ELECTRIC CO LTD. PART NUMBER
 DF11-6DP-2DSA.
 - SEE PIN-OUT TABLE.

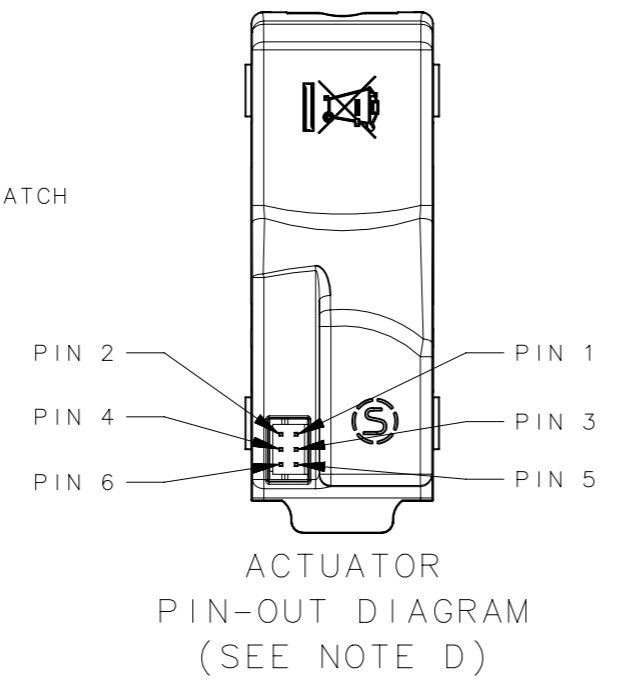
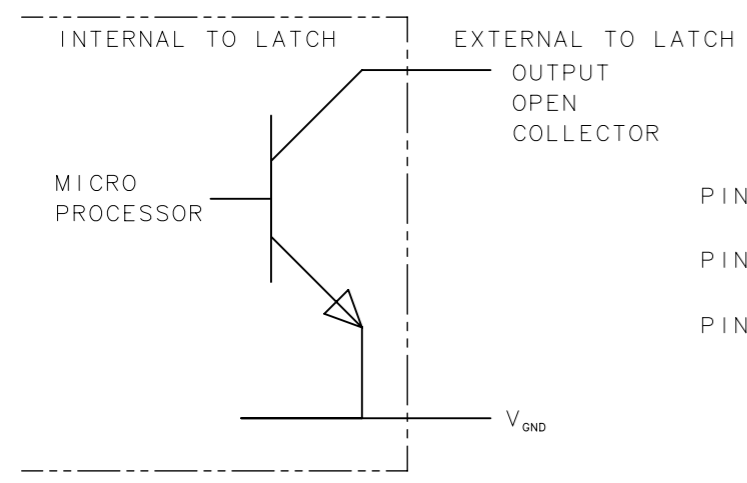
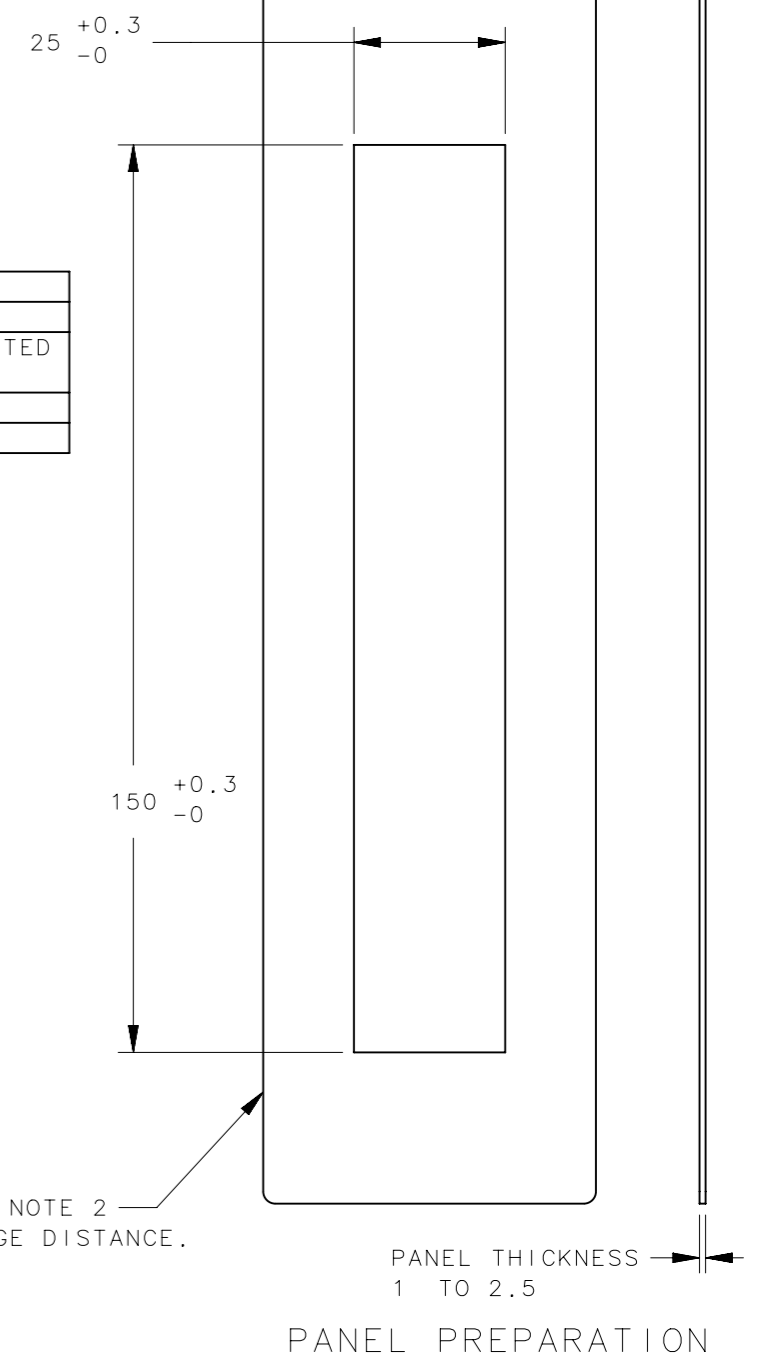
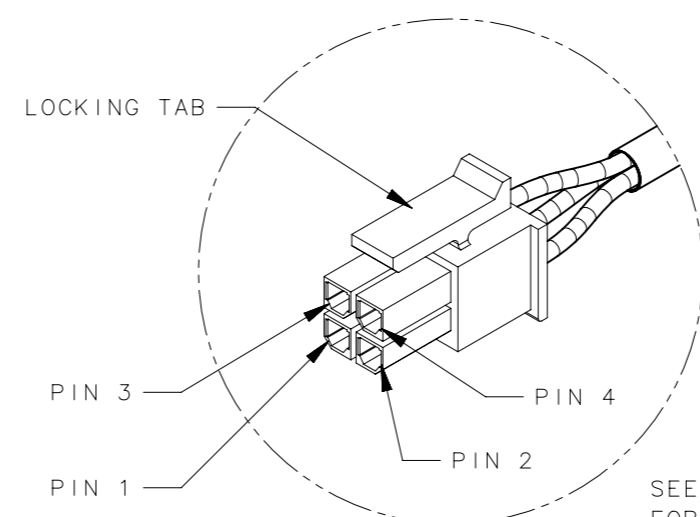
PROXIMITY READER MODULE
ELECTRICAL SPECIFICATION:

- E. - SUPPLY VOLTAGE (VCC): 12VDC +/-10%
 - OPERATING CURRENT: 125mA MAXIMUM (NO EXTERNAL DEVICES ATTACHED)
 - TRANSMIT FREQUENCY: 13.56MHz/125kHz FSK
 - DATA SIGNAL VOLTAGE: 5VDC
 - DATA PULSE INTERVAL TIME: 40 MICRO-SECONDS
 - DATA SIGNAL DELAY: 2ms
- F. PROX READER CONNECTIONS:
 - 4 POSITION CONNECTIONS:
 - MOLEX, 3mm PITCH MICRO-FIT 3.0
 RECEPTACLE HOUSING, DUAL ROW 4
 CIRCUITS. MOLEX P/N: 43025-0400
 - MICROFIT 3.0 CRIMP TERMINAL,
 FEMALE. MOLEX P/N: 43030-0004
 - SEE PIN-OUT TABLE.

PIN	WIRE COLOR	DESCRIPTION	NOTE
1	BLACK	GND	GROUND
2	RED	VCC	12VDC POWER SUPPLY INPUT (MAY BE CONNECTED TO ACTUATOR MODULE VSUPPLY INPUT)
3	GREEN	DATA0	DATA0 OUTPUT
4	WHITE	DATA1	DATA1 OUTPUT

- G. SEE J-H3-EM-62-100-M ELECTRONIC SWINGHANDLE OPERATING INSTRUCTIONS FOR MORE INFORMATION.
 J. OPERATING TEMPERATURE: 0 TO 45°C

PIN	DESCRIPTION	NOTE
1	VGND	GROUND
2	VSUPPLY	12VDC POWER SUPPLY INPUT (MAY BE CONNECTED TO PROX READER VCC INPUT)
3	N/C	NO CONNECT
4	CONTROL SIGNAL	COMMAND INPUT (12VDC, 100 MILLISECONDS MINIMUM)
5	ELECTRONIC LOCK STATUS	OPEN COLLECTOR OUTPUT (100mA MAX. LOAD)
6	MECHANICAL LOCK STATUS	OPEN COLLECTOR OUTPUT (100mA MAX. LOAD)



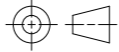

THIRD ANGLE PROJECTION	MILLIMETERS [IN]	 CONNECT • CREATE • INNOVATE		
TOLERANCES UNLESS OTHERWISE NOTED		SIZE	SYSTEM	DWG NO.
ALL DIMENSIONS WITHOUT TOLERANCES ARE FOR REFERENCE ONLY.		A3	NX	J-H3-EM-62-100
PROPRIETARY ITEM EXCEPT FOR USES EXPRESSLY GRANTED IN WRITING, INFORMATION DISCLOSED HEREON IS CONFIDENTIAL AND ALL RIGHTS, PATENT AND OTHERWISE, ARE RESERVED BY SOUTHCO, INC.	PER ASME Y14.5M-1994	DRAWN BY	DATE	SCALE
		DJK/KAM	28APR2017	NTS
				SHEET 3 OF 4

REVISION HISTORY			
REV	DATE	BY	DESCRIPTION
E	21JUN2023	DPZ/CMS	PRN:P2023-1257

LATCH STATUS DEFINITION

LATCH STATUS	LATCH LED	PIN 6 OUTPUT HANDLE LOCK	PIN 5 OUTPUT ELECTRONIC LOCK	PIN 4 CONTROL INPUT	NOTE
SECURED	BLUE	OPEN COLLECTOR	OPEN COLLECTOR	GND	ENCLOSURE SECURED - ACCESS DENIED
ELECTRONICALLY RELEASED	BLUE / MAGENTA FLASHING	OPEN COLLECTOR	LOW	V* _{SS}	ENCLOSURE READY FOR ACCESS
MECHANICALLY RELEASED	BLUE FLASHING LOW	LOW	LOW	V* _{SS}	ACCESS GAINED - HANDLE LIFTED OR MECHANICALLY UNLOCKED
		LOW	OPEN COLLECTOR	GND	ACCESS GAINED - HANDLE LIFTED - ELECTRONIC LOCK CLOSED
HANDLE NOT FULLY CLOSED	BLUE / RED FLASHING	OPEN COLLECTOR	LOW	GND	INTERIM STATES ONLY DURING CLOSING OF HANDLE
		LOW	LOW	GND	

H3-EM-62-LLL			
COMPONENT	MATERIAL	FINISH	NOTE
CIRCUIT BOARD	DETAILS ON REQUEST	DETAILS ON REQUEST	
MOTOR	DETAILS ON REQUEST	DETAILS ON REQUEST	
GEAR SHAFT	STAINLESS STEEL	NATURAL	
WORM GEAR	PA66 1300S	NATURAL	
PINION GEAR	POM M90-44	BLACK	
SPUR GEAR	POM M90-44	BLACK	
GEAR RETAINER	PC (LEXAN V0)	CLEAR	
MOTOR COVER	PC ABS (UL94- V0)	BLACK	
LATCH BODY	25% GF NYLON (UL94- V0)	BLACK (A&B SURFACES VD136)	
HANDLE MOULDING	25% GF NYLON (UL94- V0)	BLACK (A&B SURFACES VD136)	
LIGHT PIPE	PC (LEXAN V0)	CLEAR	
BOTTOM MOUNTING BRACKET	25% GF NYLON (UL94- V0)	BLACK	
SLIDE	25% GF NYLON (UL94- V0)	NATURAL	
HANDLE SHAFT	DIE CAST ZINC	ZINC PLATE BRIGHT CHROMATE	
ROTATION LIMITER	DIE CAST ZINC	ZINC PLATE BRIGHT CHROMATE	2 SIZE OPTIONS SUPPLIED
TOP MOUNTING BRACKET	25% GF NYLON (UL94- V0)	BLACK	
MOUNTING SCREW 25 LONG	STEEL	ZINC PLATE + BRIGHT CHROMATE	INSTALL WITH #1 POZIDRIV DRIVER
MOUNTING SCREW 14 LONG	STEEL	ZINC PLATE + BRIGHT CHROMATE	INSTALL WITH #1 POZIDRIV DRIVER
OUTPUT GEAR MOULDING	POM M90-44	BLACK	
REFLECTOR	POM M90-44	OPAQUE WHITE	
CONNECTING LEAD	DETAILS ON REQUEST	DETAILS ON REQUEST	ORDER SEPERATELY
DIN LOCKPLUG	DETAILS ON REQUEST	DETAILS ON REQUEST	OPTIONAL WITHOUT LOCKPLUG
LOCK PLUG RETAINING SCREW	STEEL	ZINC PLATE + BRIGHT CHROMATE + SEALER	
SHAFT PIN	SAE 30302/30304	PLAIN, OILED	
O-RING	BLACK NBR RUBBER	GREASED	
PAWL SCREW	STEEL	ZINC PLATE + BRIGHT CHROMATE	
PAWL	STEEL	ZINC PLATE + BRIGHT CHROMATE	ORDER SEPERATELY
PROXIMITY READER MODULE	DETAILS ON REQUEST	DETAILS ON REQUEST	
BLANK PLUG	DIE CAST ZINC	CHROME PLATE	OPTIONAL

THIRD ANGLE PROJECTION  MILLIMETERS [IN] TOLERANCES UNLESS OTHERWISE NOTED ALL DIMENSIONS WITHOUT TOLERANCES ARE FOR REFERENCE ONLY. PROPRIETARY ITEM <small>EXCEPT FOR USES EXPRESSLY GRANTED IN WRITING, INFORMATION DISCLOSED HEREON IS CONFIDENTIAL AND ALL RIGHTS, PATENT AND OTHERWISE, ARE RESERVED BY SOUTHCO, INC.</small>	 CONNECT • CREATE • INNOVATE		
	DESCRIPTION H3-EM ELECTRONIC SWINGHANDLE WITH 125kHz AND 13.56MHz RFID READER		
	SIZE A3	SYSTEM NX	DWG NO. J-H3-EM-62-100
	PER ASME Y14.5M-1994	DRAWN BY DJK/KAM	DATE 28APR2017
	SCALE 1:1	SHEET 4 OF 4	