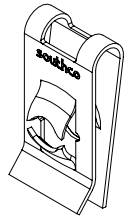
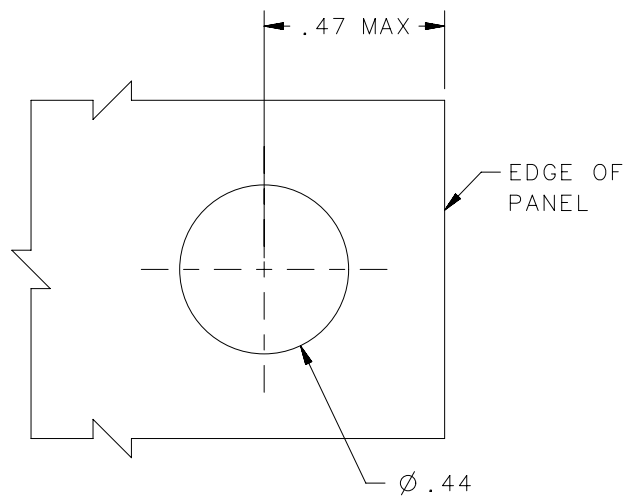


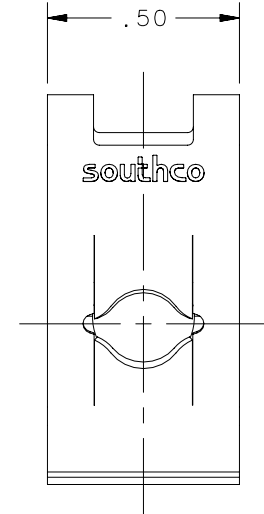
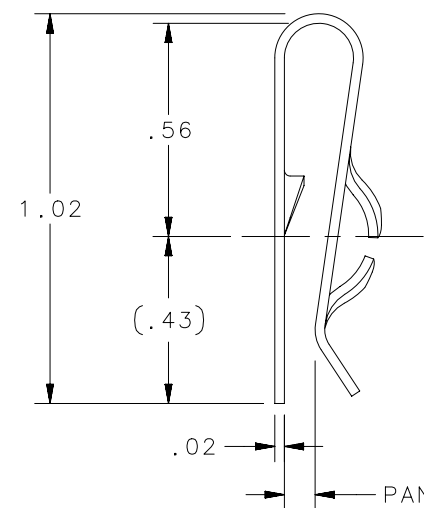
REVISION HISTORY			
REV	DATE	BY	DESCRIPTION
R	20AUG2013	DMS/YGC	PRN: P2013-1698



SCALE 1:1



PANEL PREPARATION



12-11027-12	RECEPTACLE	STAINLESS STEEL	PASSIVATED
12-11027-11	RECEPTACLE	STEEL	ZINC IMMERSION COATING
PART NUMBER	TYPE OF COMPONENT	MATERIAL	FINISH

	THIRD ANGLE PROJECTION	 CONNECT • CREATE • INNOVATE	
	INCHES [MM]		
SURFACE AREA	TOLERANCES UNLESS OTHERWISE NOTED	DESCRIPTION	
VOLUME	ALL DIMENSIONS WITHOUT TOLERANCES ARE FOR REFERENCE ONLY.	NO.12 "U" TYPE RECEPTACLE - RANGE .109 TO .161	
PROPRIETARY ITEM	PER ASME Y14.5M-1994	SIZE A	SYSTEM NX
EXCEPT FOR USES EXPRESSLY GRANTED IN WRITING, INFORMATION DISCLOSED HEREON IS CONFIDENTIAL AND ALL RIGHTS, PATENT AND OTHERWISE, ARE RESERVED BY SOUTHCO, INC.		DWG NO. J-12-11027-11	
		DRAWN BY DST/MRT	DATE 09MAR1960
		SCALE 2:1	SHEET 1 OF 1