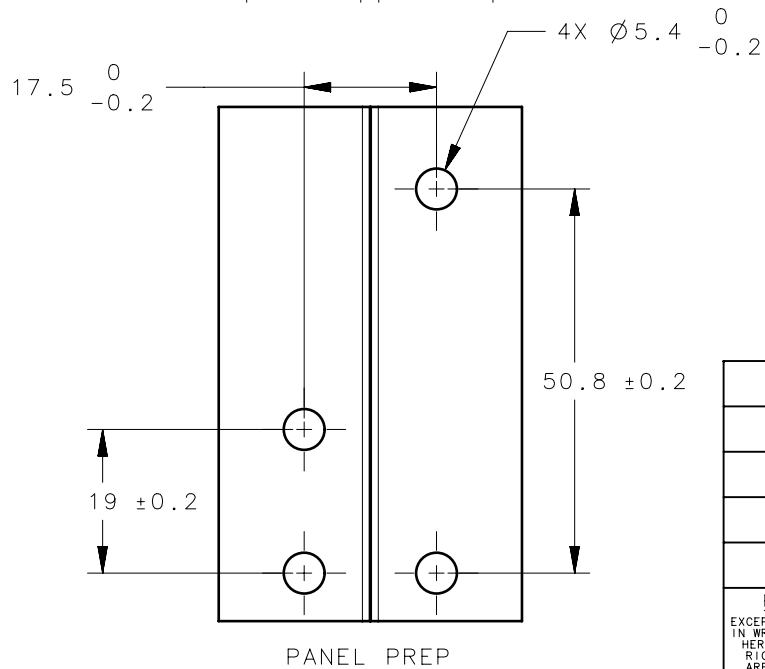
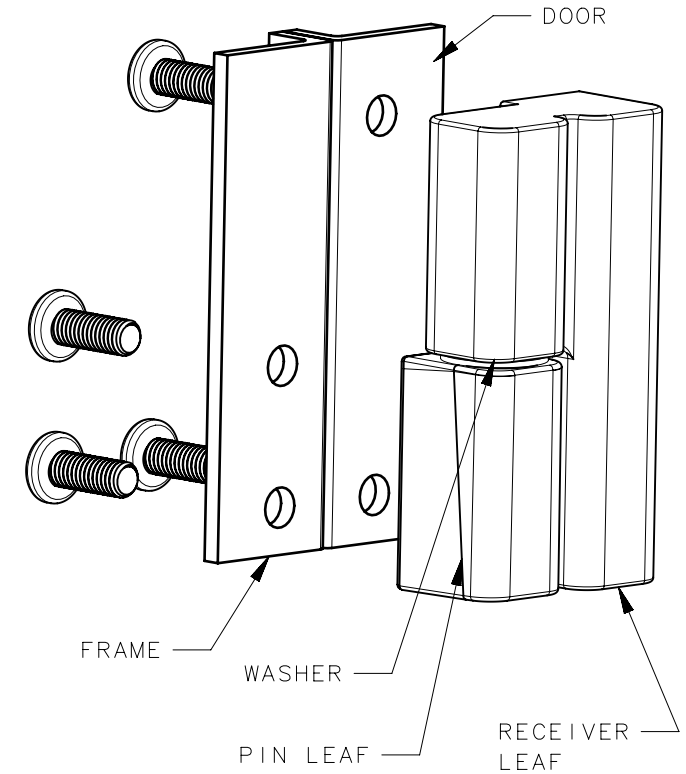
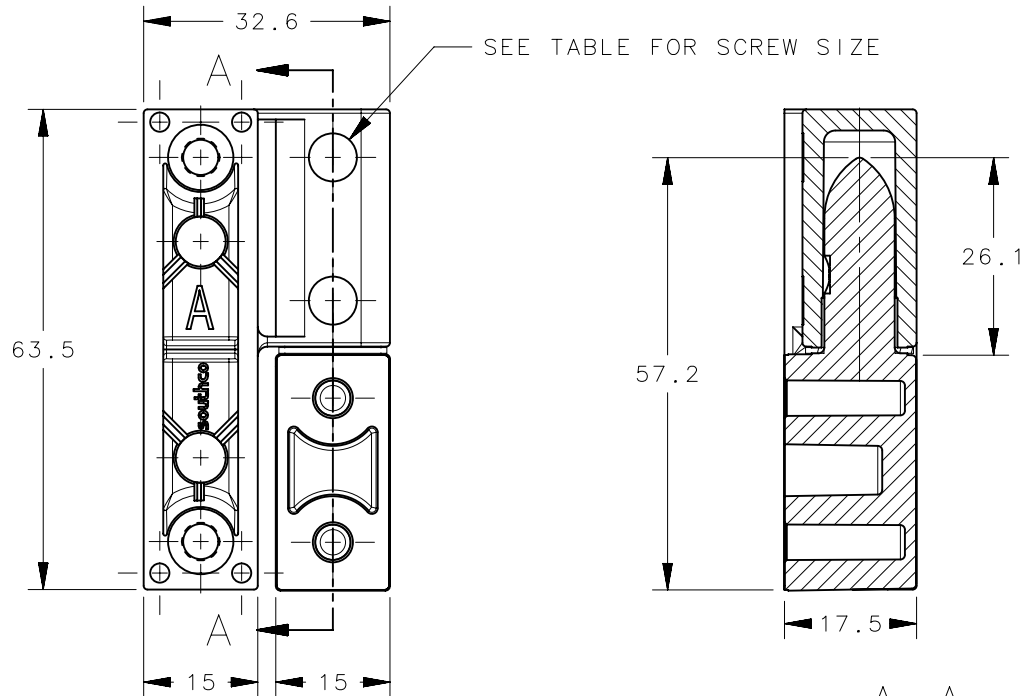


NOTES:

A. MATERIAL AND FINISH:  
WASHER: NYLON, BLACK

REVISION HISTORY			
REV	DATE	BY	DESCRIPTION
C	07AUG2018	KPA/CMS	PRN: P2018-1862



96-50-510-50	M5	ZINC	BLACK, POWDER COATED
96-10-510-50	10-32	ZINC	BLACK, POWDER COATED
PART NUMBER	THREAD	MATERIAL	FINISH

<p>THIRD ANGLE PROJECTION</p> <p>MILLIMETERS [IN]</p> <p>TOLERANCES UNLESS OTHERWISE NOTED</p> <p>ALL DIMENSIONS WITHOUT TOLERANCES ARE FOR REFERENCE ONLY.</p> <p>PROPRIETARY ITEM</p> <p>EXCEPT FOR USES EXPRESSLY GRANTED IN WRITING, INFORMATION DISCLOSED HEREON IS CONFIDENTIAL AND ALL RIGHTS, PATENT AND OTHERWISE, ARE RESERVED BY SOUTHCO, INC.</p>	<p>DESCRIPTION</p> <p><b>southco®</b> CONNECT • CREATE • INNOVATE</p> <p>No. 96, TYPE A OFFSET HINGE ASSEMBLY</p>		
	<p>SIZE</p> <p>A4</p>	<p>SYSTEM</p> <p>NX</p>	<p>DWG NO.</p> <p>J-96-510</p>
	<p>PER ASME Y14.5M-1994</p>	<p>DRAWN BY</p> <p>CMS/JW</p>	<p>DATE</p> <p>28AUG2017</p>
	<p>SCALE</p> <p>1:1</p>	<p>SHEET</p> <p>1 OF 1</p>	