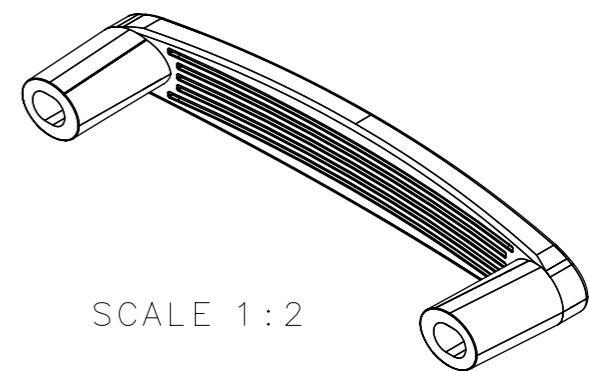
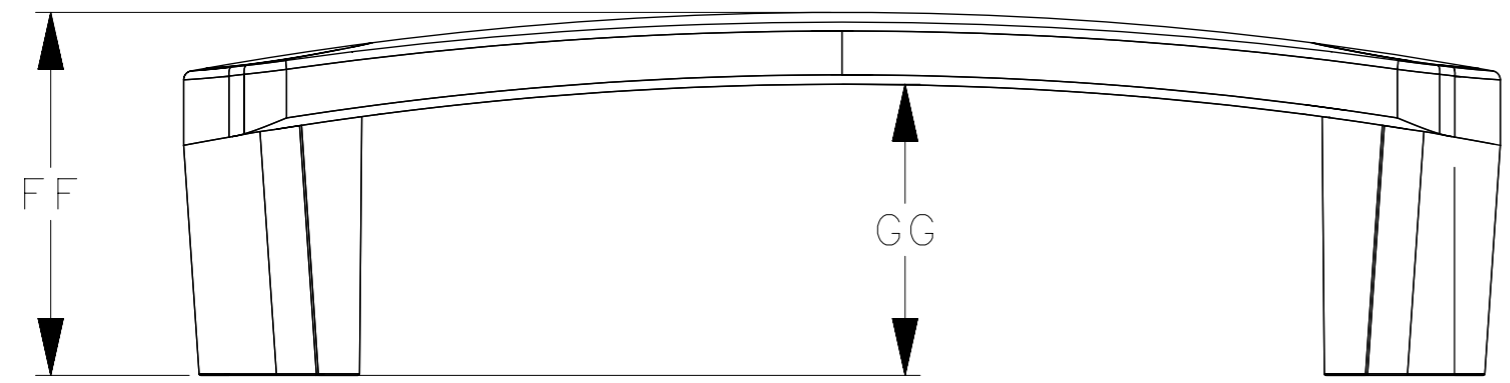


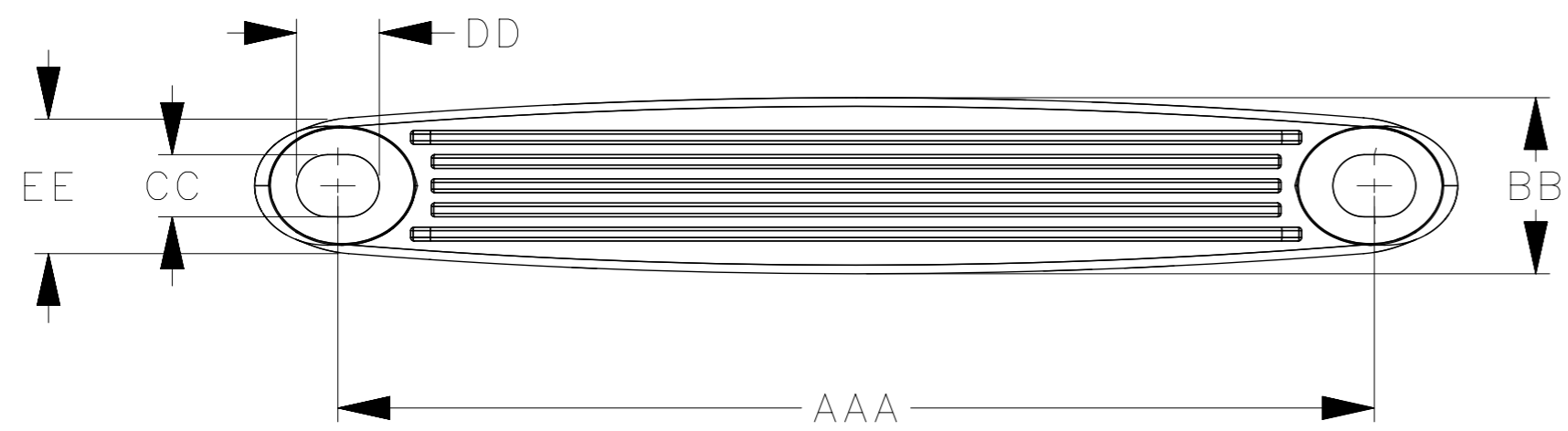
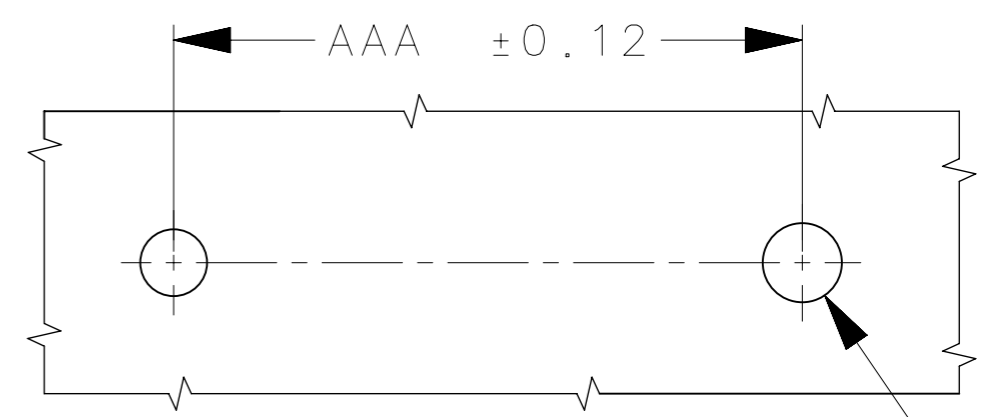
REVISION HISTORY			
REV	DATE	BY	DESCRIPTION
B	21DEC2023	SBK/VK	PRN: P2023-2365



SCALE 1:2



PANEL PREPARATION



2X \varnothing 9 ± 0.1 THRU HOLE FOR B8-DHUA-150-C
 6.5 ± 0.1 THRU HOLE FOR B8-DHUA-117-C

NOTES: -
 1. MOUNTING SCREWS NOT SUPPLIED.

B8-DHUA-150-C	B8-GRAB HANDLE	POLYAMIDE	BLACK	150	25.5	9	12	19.5	48	38.5	100	
B8-DHUA-117-C	B8-GRAB HANDLE	POLYAMIDE	BLACK	115.5	24	6.5	9	19	40	32	75	
SOUTHCO PART NUMBER		DESCRIPTION	MATERIAL	FINISH	AAA	BB	CC	DD	EE	FF	GG	LOAD CAPACITY (KG)
CPB NUMBER 2023-0391		THIRD ANGLE PROJECTION										
SURFACE AREA		MILLIMETERS [IN]										
VOLUME		TOLERANCES UNLESS OTHERWISE NOTED										
PROPRIETARY ITEM		ALL DIMENSIONS WITHOUT TOLERANCES ARE FOR REFERENCE ONLY.										
EXCEPT FOR USES EXPRESSLY GRANTED IN WRITING, INFORMATION DISCLOSED HEREON IS CONFIDENTIAL AND ALL RIGHTS, PATENT AND OTHERWISE, ARE RESERVED BY SOUTHCO, INC.		PER ASME Y14.5M-2009	SIZE A3	SYSTEM NX	DWG NO. J-B8-DHUA		DRAWN BY SBK/VK		DATE 10JUL2023	SCALE 1:1	SHEET 1 OF 1	