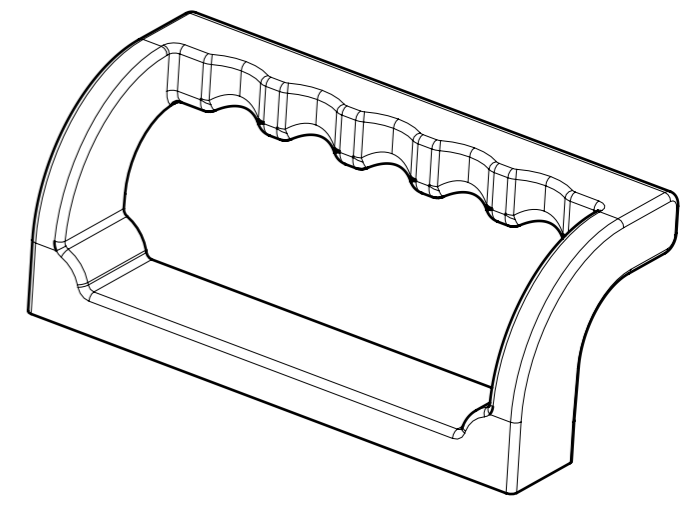
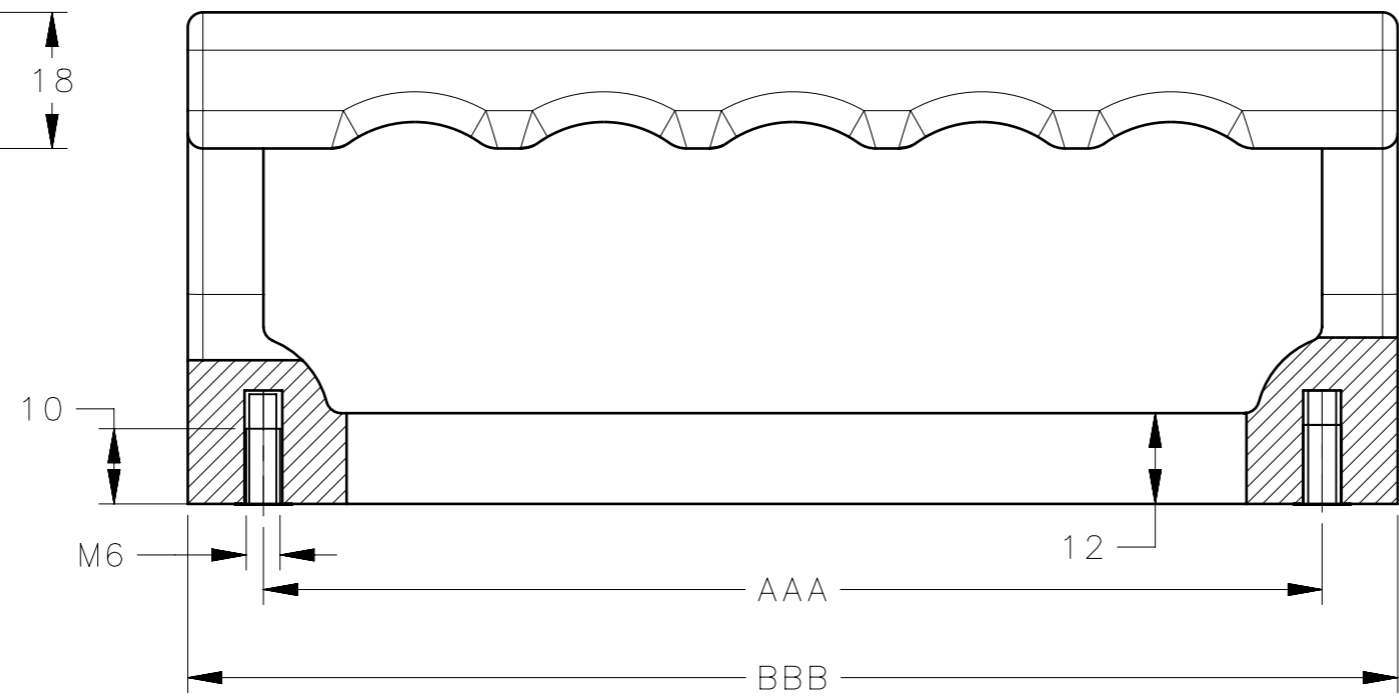
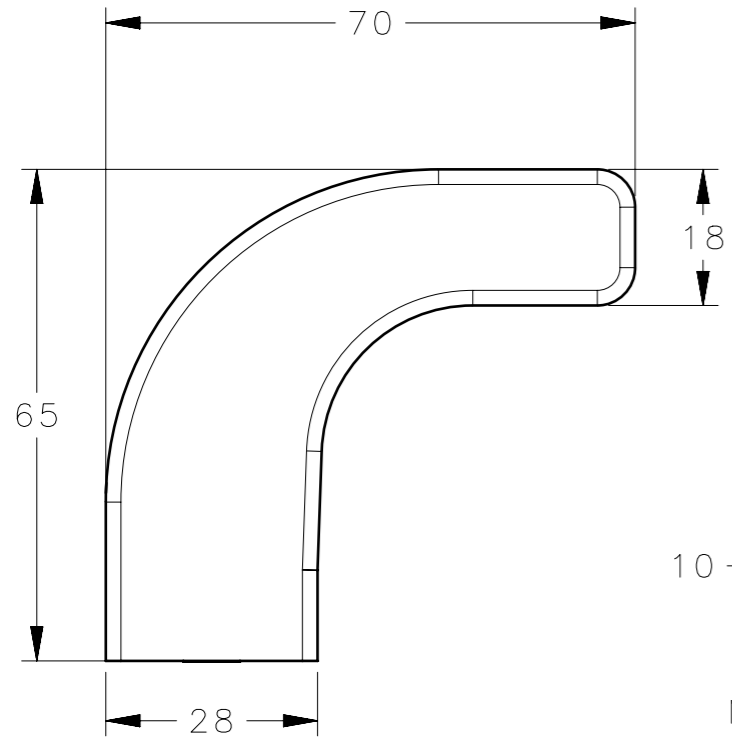
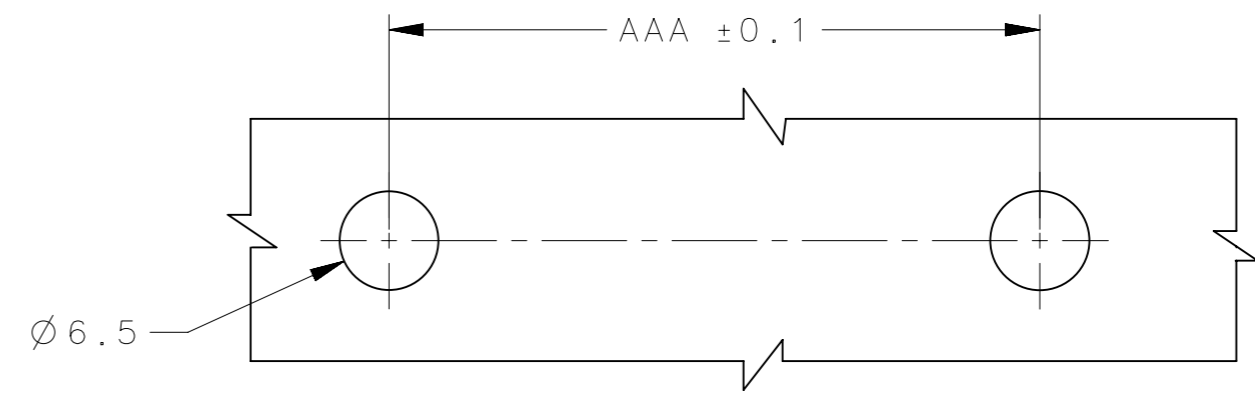


REVISION HISTORY			
REV	DATE	BY	DESCRIPTION
B	25DEC2023	SBK/VK	PRN: P2023-2368



SCALE 1:2

PANEL PREPARATION



NOTES:-
1. MOUNTING SCREWS NOT SUPPLIED.

B8-DHAI-140	B8-ANGULAR HANDLE	POLYAMIDE	BLACK	140	160
SOUTHCO PART NUMBER	DESCRIPTION	MATERIAL	FINISH	AAA	BBB
CPB NUMBER 2023-0391	THIRD ANGLE PROJECTION				
SURFACE AREA mm ²	MILLIMETERS [IN]				
VOLUME mm ³	TOLERANCES UNLESS OTHERWISE NOTED	DESCRIPTION B8-ANGULAR HANDLE			
PROPRIETARY ITEM	ALL DIMENSIONS WITHOUT TOLERANCES ARE FOR REFERENCE ONLY.	SIZE A3	SYSTEM NX	DWG NO. J-B8-DHAI	
EXCEPT FOR USES EXPRESSLY GRANTED IN WRITING, INFORMATION DISCLOSED HEREON IS CONFIDENTIAL AND ALL RIGHTS, PATENT AND OTHERWISE, ARE RESERVED BY SOUTHCO, INC.	PER ASME Y14.5M-2009	DRAWN BY SBK	DATE 10AUG2023	SCALE 1:1	SHEET 1 OF 1