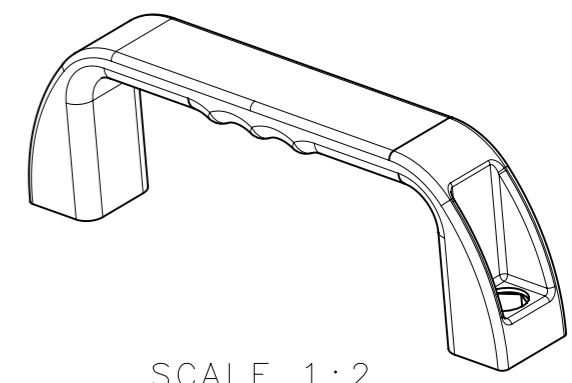
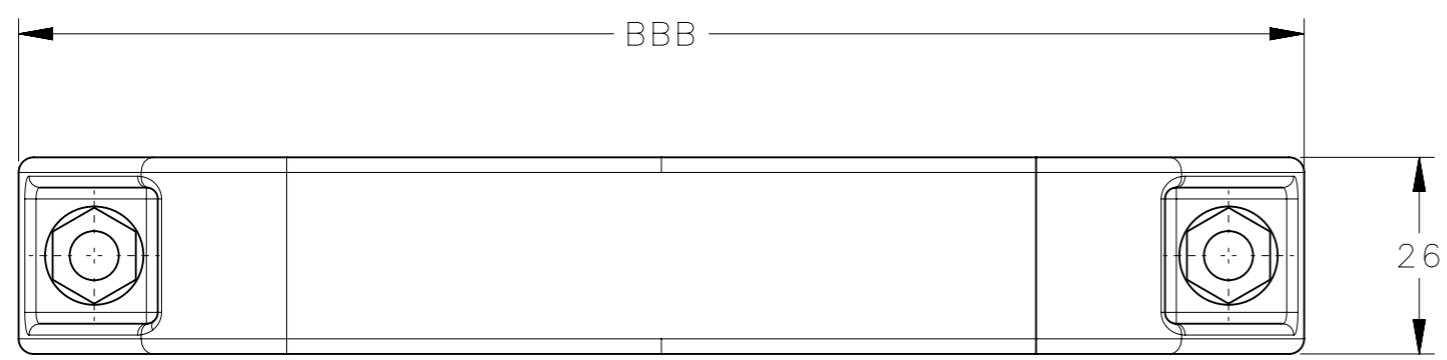
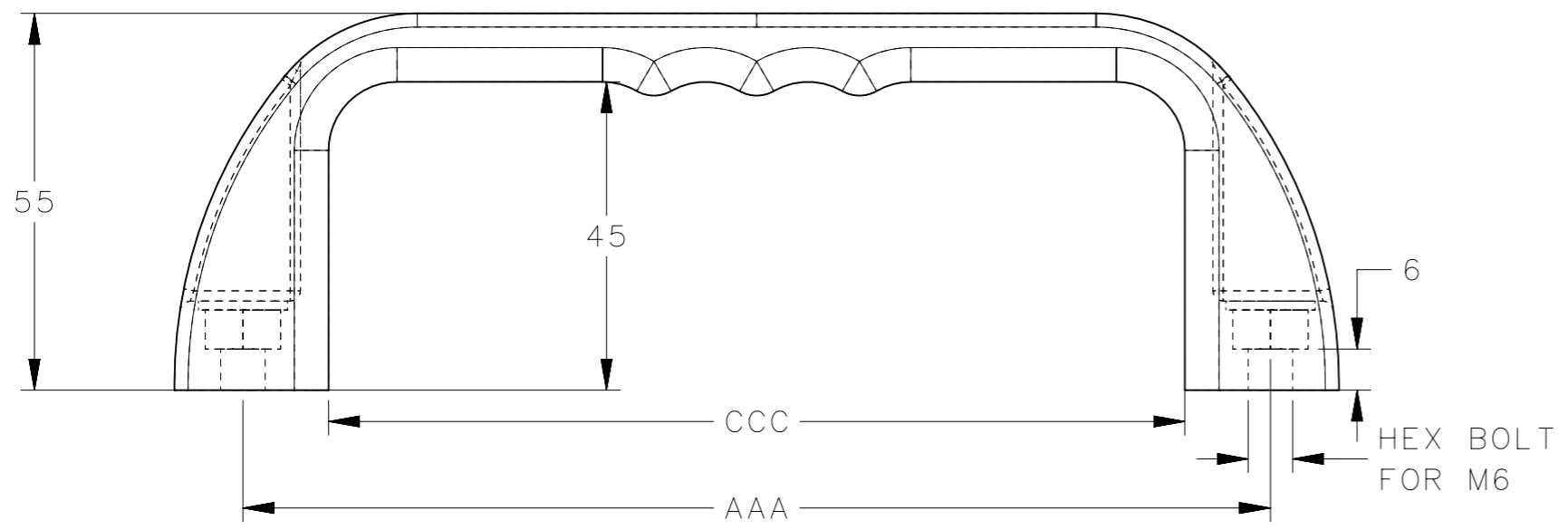
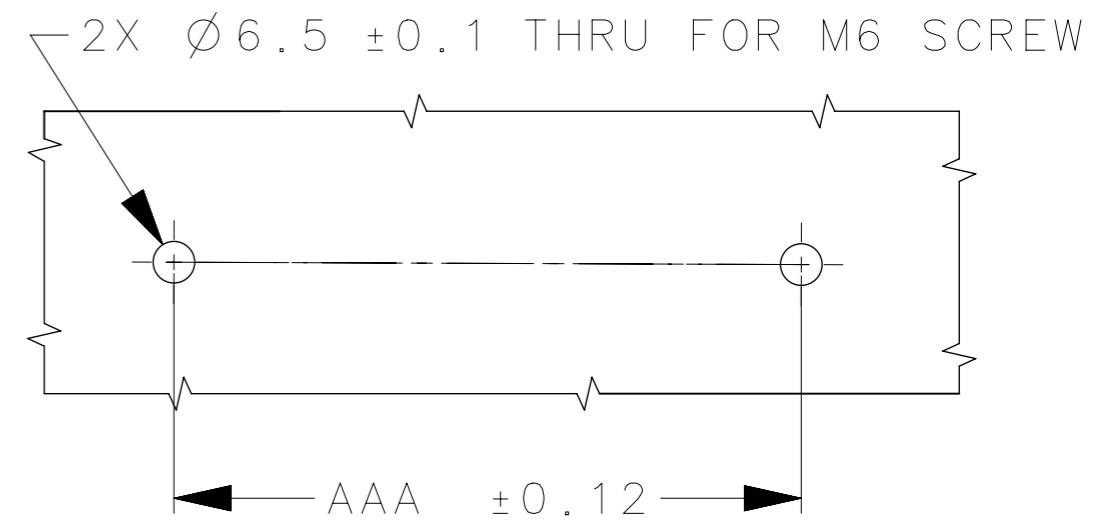



REVISION HISTORY			
REV	DATE	BY	DESCRIPTION
B	21DEC2023	SBK/VK	PRN:P2023-2365



PANEL PREPARATION



B8-DHURH-150	B8 - GRAB HANDLE	POLYAMIDE	BLACK	150	275	170	125
SOUTHCO PART NUMBER	DESCRIPTION	MATERIAL	FINISH	LENGTH (AAA)	LOAD CAPACITY (kg)	TOTAL LENGTH (BBB)	INNER LENGTH (CCC)

CPB NUMBER 2023-0391	THIRD ANGLE PROJECTION						
SURFACE AREA mm ²	MILLIMETERS [IN]						
VOLUME mm ³	TOLERANCES UNLESS OTHERWISE NOTED	DESCRIPTION B8 - GRAB HANDLE					
PROPRIETARY ITEM	ALL DIMENSIONS WITHOUT TOLERANCES ARE FOR REFERENCE ONLY.	SIZE A3	SYSTEM NX	DWG NO. J-B8-DHURH-1			
EXCEPT FOR USES EXPRESSLY GRANTED IN WRITING, INFORMATION DISCLOSED HEREON IS CONFIDENTIAL AND ALL RIGHTS, PATENT AND OTHERWISE, ARE RESERVED BY SOUTHCO, INC.	PER ASME Y14.5M-2009	DRAWN BY SBK	DATE 07JUL2023	SCALE 1:1	SHEET 1 OF 1		

- NOTES:-
1. MOUNTING SCREWS NOT SUPPLIED.
 2. FOR e.g AAA=100 THE REAL LENGTH IS 100.