

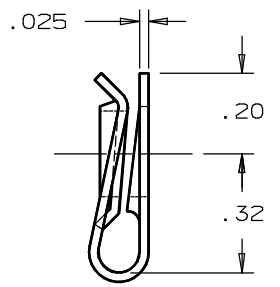
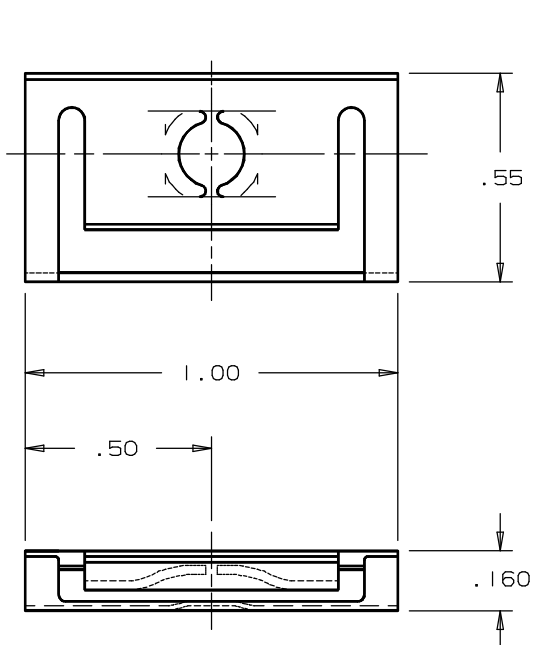


No. 12 NARROW FLANGE "U" TYPE
RECEPTACLE RANGE .031 - .109

DATE	DRAWN	CHKD	SCALE	DRAWING NUMBER
5-22-67	WB	RHB	2 : 1	J-12-11050-27

CONCORDVILLE, PA

REV.	DATE	BY-CHKD	REVISIONS	PART No.	MATERIAL	FINISH			
G	4-23-85	ESK	DELETED PREVIOUS REV. DELETED PT No. 12-11050-11 (ZINC PLATE-BRIGHT FINISH)	12-11050-27	1064 STEEL	DACROTIZED™			
H	9-28-89	TAB	PRN: 12-143						
I	12APR93	ALC	PRN:S-1-03						



PANEL PREPARATIONS

