

southco

PROPRIETARY ITEM - EXCEPT FOR USES EXPRESSLY GRANTED IN WRITING INFORMATION DISCLOSED HEREON IS CONFIDENTIAL AND ALL RIGHTS PATENT AND OTHERWISE ARE RESERVED BY SOUTHCO, INC.

C5 SEALED LEVER LATCH WITH KEY OR TOOL ACCESS LOCKS

DATE	DRAWN	CHKD	SCALE	DRAWING NUMBER
16MAR92	JAD		0.75:1	J-C5-L3

REV	DATE	DRAWN/CHKD	DESCRIPTION
K	01JUN2006	MDY/MJS	PRN: P2006-0752
L	17MAY2022	CMS/JDC	PRN: P2022-0882

PANEL THICKNESS (mm)	LONG LEVER GRIP RANGE *	STANDARD KEY LOCK	SHUTTERED KEY LOCK	4mm HEX RECESS	No. 2 PHILLIPS	RAILWAY STANDARD	WITHOUT LOCKPLUG
1-11	29-45	C5-21-35	C5-31-35	C5-41-35	C5-51-35	C5-61-35	C5-91-35
11-21		C5-22-35	C5-32-35	C5-42-35	C5-52-35	C5-62-35	C5-92-35
21-31		C5-23-35	C5-33-35	C5-43-35	C5-53-35	C5-63-35	C5-93-35
31-41		C5-24-35	C5-34-35	C5-44-35	C5-54-35	C5-64-35	C5-94-35

MILLIMETERS

ALL DIMENSIONS WITHOUT TOLERANCES ARE FOR REFERENCE ONLY.



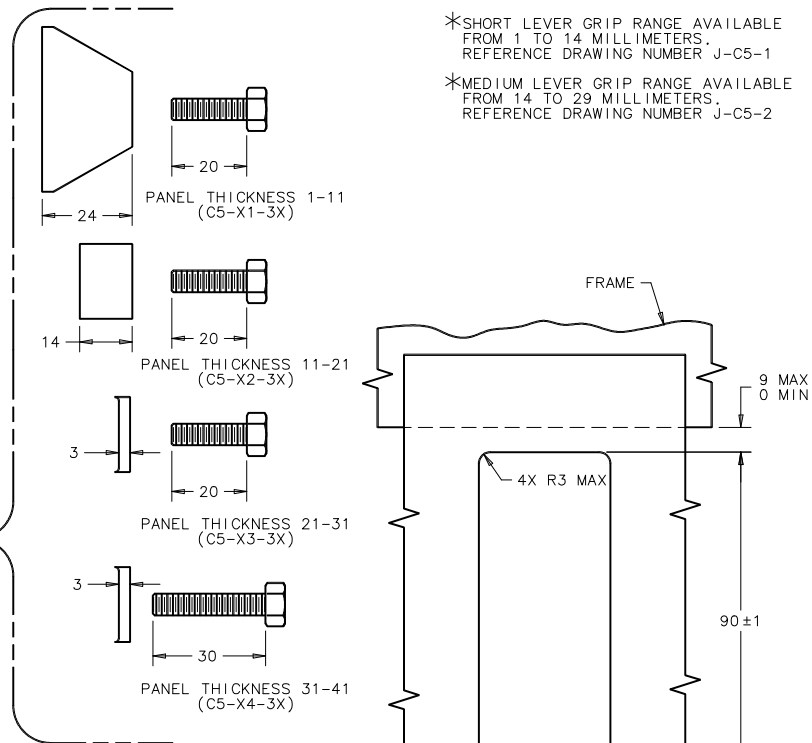
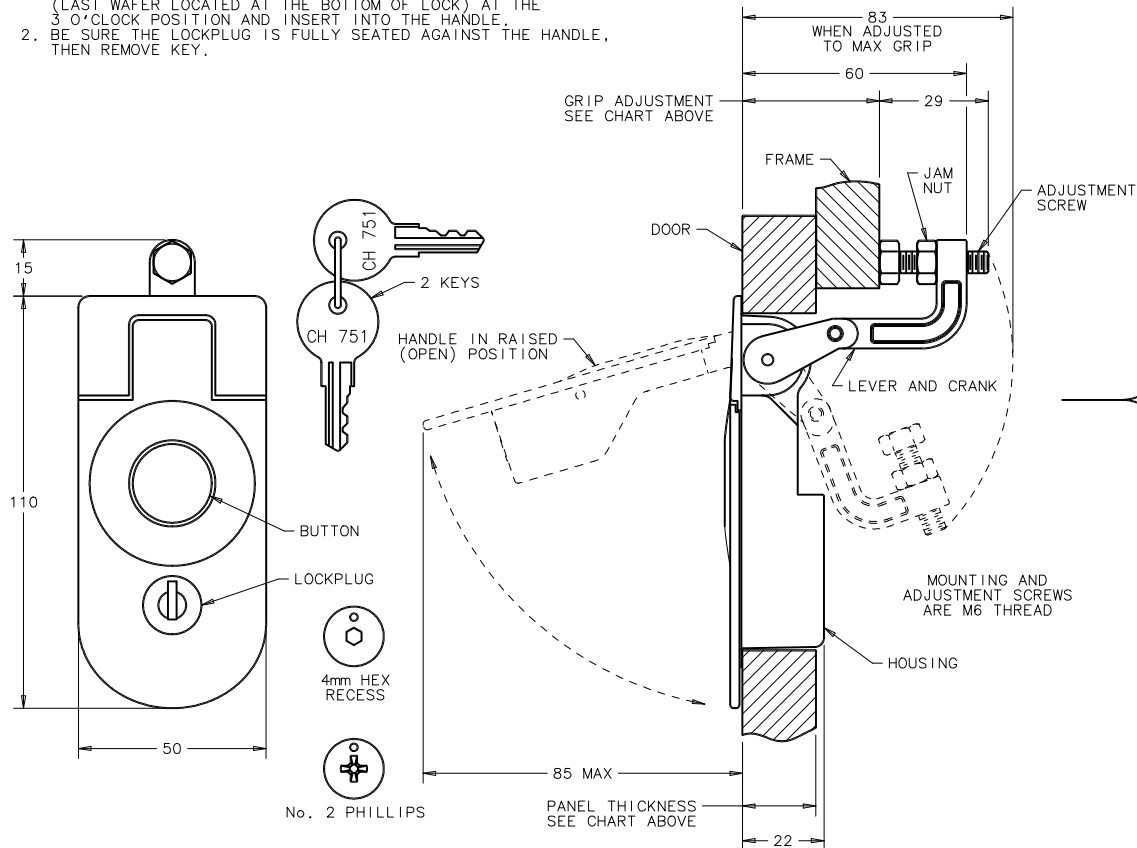
NOTES:

A. MATERIAL AND FINISH:

- HOUSING, HANDLE, AND BUTTON: DIE CAST ZINC, BLACK POWDER COAT WITH STEEL HARDWARE
- LEVER AND CRANK: DIE CAST ZINC, CLEAR CHEMICAL PROTECTIVE FILM
- TORSION SPRING: 302 STAINLESS STEEL, PASSIVATED
- ROLL PIN: 420 STAINLESS STEEL, PASSIVATED
- O-RING: BUNA-N, NATURAL
- STANDARD LOCK PLUG: DIE CAST ZINC, BLACK POWDER COATING
- SHUTTERED LOCK PLUG (BLACK POWDER COATED ASSEMBLY): DIE CAST ZINC WITH ALUMINUM, BLACK ANODIZED CAP AND STAINLESS STEEL SHUTTER
- SHUTTERED LOCK PLUG (POLISHED CHROME ASSEMBLY): DIE CAST ZINC WITH STAINLESS STEEL CAP AND STAINLESS STEEL SHUTTER
- KEYS: BRASS, NICKEL PLATED
- ADJUSTING SCREW, JAM NUT, MOUNTING BRACKET AND SCREW: 1010 STEEL, ZINC PLATE CHROMATE PLUS SEALER

B. LOCKPLUG INSTALLATION:

1. POSITION LOCKPLUG AND ORIENT RETAINING WAFER (LAST WAFER LOCATED AT THE BOTTOM OF LOCK) AT THE 3 O'CLOCK POSITION AND INSERT INTO THE HANDLE.
2. BE SURE THE LOCKPLUG IS FULLY SEATED AGAINST THE HANDLE, THEN REMOVE KEY.



PANEL PREPARATION