

NOTES:

A. MATERIAL AND FINISH:

- HOUSING, HANDLE, BUTTON AND PAWL: DIE CAST ZINC, BLACK POWDER COATING.
- LEVER AND CRANK: DIE CAST ZINC, CLEAR CHEMICAL PROTECTIVE FILM.
- TORSION SPRING: 302 STAINLESS STEEL, PASSIVATED.
- ROLL PIN: 420 STAINLESS STEEL, PASSIVATED.
- O-RING: BUNA-N, NATURAL.
- LOCK PLUG: DIE CAST ZINC, BLACK POWDER COATING.
- SHUTTERED LOCK PLUG: DIE CAST ZINC WITH ALUMINUM, BLACK ANODIZED CAP AND 304 STAINLESS STEEL, NATURAL SHUTTER.
- KEYS: BRASS, NICKEL PLATED.
- ADJUSTING SCREW, JAM NUT, MOUNTING BRACKET AND SCREW: 1010 STEEL, ZINC PLATED WITH SEALED YELLOW CHROMATE

B. LOCKPLUG INSTALLATION:

- POSITION LOCKPLUG AND ORIENT RETAINING WAFER (LAST WAFER LOCATED AT THE BOTTOM OF LOCK) AT THE 3 O'CLOCK POSITION AND INSERT INTO THE HANDLE.
- BE SURE THE LOCKPLUG IS FULLY SEATED AGAINST THE HANDLE, THEN REMOVE KEY.



PROPRIETARY ITEM - EXCEPT FOR USES EXPRESSLY GRANTED IN WRITING INFORMATION DISCLOSED HEREON IS CONFIDENTIAL AND ALL RIGHTS PATENT AND OTHERWISE ARE RESERVED BY SOUTHCO, INC.

SOUTHCO No. C5 SEALED LEVER LATCH WITH KEY OR TOOL ACCESS LOCKS

DATE	DRAWN	CHKD	SCALE	DRAWING NUMBER
26MAR92	JAD		0.75:1	J-C5-L2

REV	DATE	DRAWN/CHKD	DESCRIPTION
F	13AUG2004	VNI/RLR	PRN: P2004-0893
G	08OCT2004	MJR/MDY	PRN: P2004-1152
H	15NOV2004	MDY/RLR	PRN: P2004-1308
I	31MAR2011	ACH/MSR	PRN: P2011-0418
J	17MAY2022	CMS/JDC	PRN: P2022-0882

MILLIMETERS

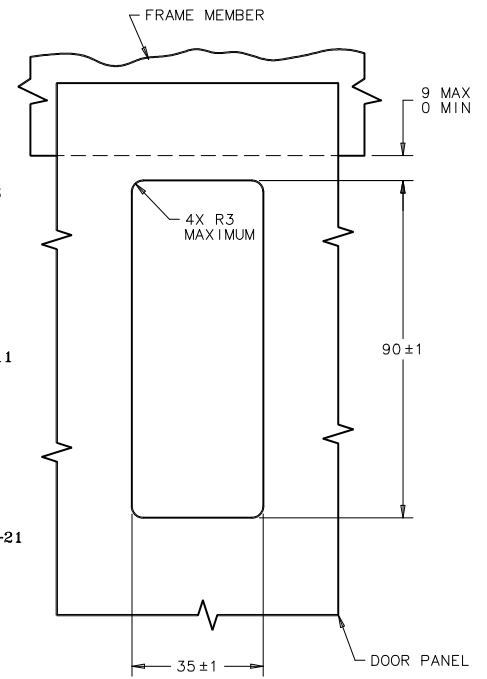
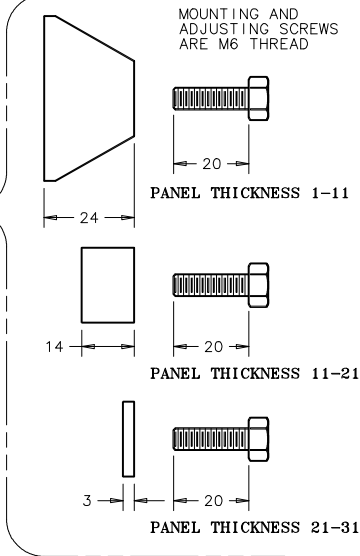
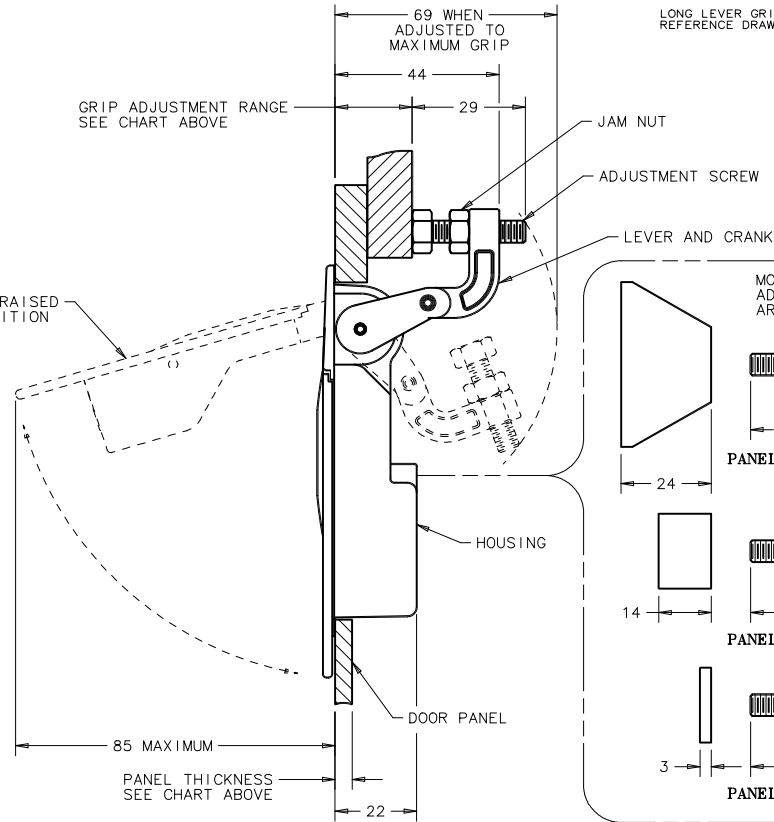
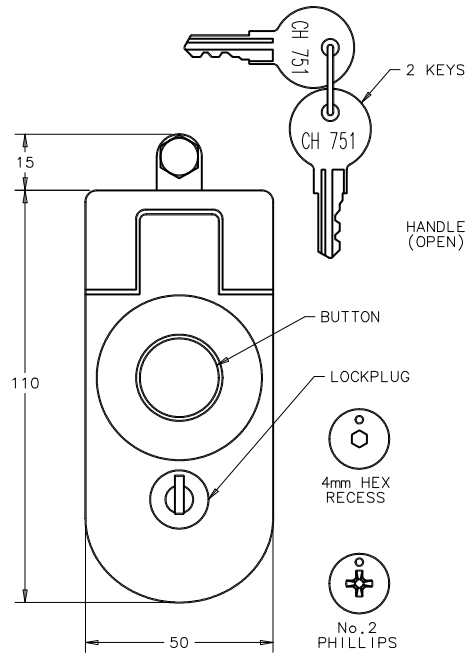
ALL DIMENSIONS WITHOUT TOLERANCES ARE FOR REFERENCE ONLY.



PANEL THICKNESS	MED. LEVER* GRIP RANGE	STANDARD KEY LOCK	SHUTTERED KEY LOCK	4mm HEX RECESS	No. 2 PHILLIPS	RAILWAY STANDARD	WITHOUT LOCK PLUG
1-11		C5-21-25	C5-31-25	C5-41-25	C5-51-25	C5-61-25	C5-91-25
11-21	14-29	C5-22-25	C5-32-25	C5-42-25	C5-52-25	C5-62-25	C5-92-25
21-31		C5-23-25	C5-33-25	C5-43-25	C5-53-25	C5-63-25	C5-93-25

* SHORT LEVER GRIP RANGE AVAILABLE FROM 1 TO 14 MILLIMETERS. REFERENCE DRAWING NUMBER J-C5-L1

LONG LEVER GRIP RANGE AVAILABLE FROM 29 TO 45 MILLIMETERS. REFERENCE DRAWING NUMBER J-C5-L3



PANEL PREPARATION