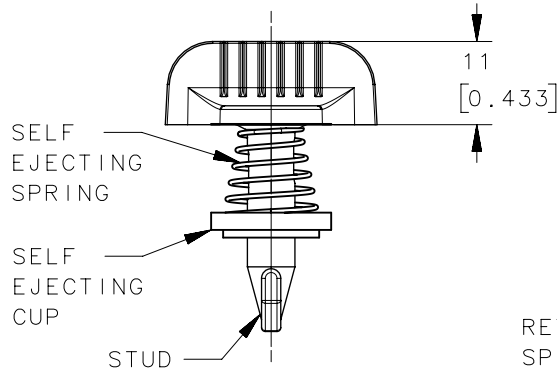
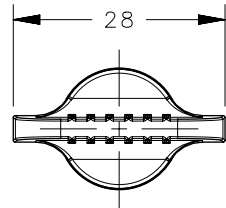
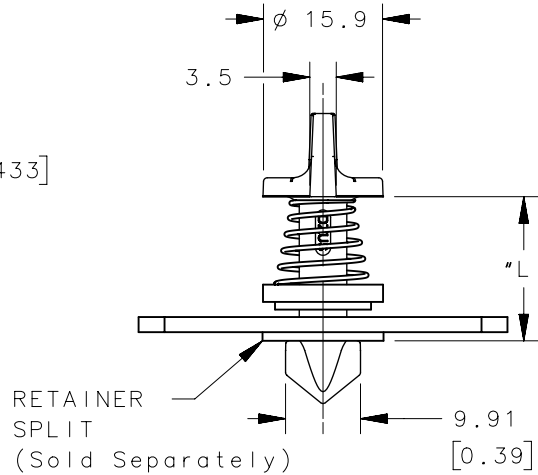


NOTE:
PLEASE REFER TO DRAWINGS:
J-D1-004-XXX-030SE
J-D1-166-XXX-030SE
J-D1-444-XXX-030SE
FOR OTHER HEADSTYLE OPTIONS.

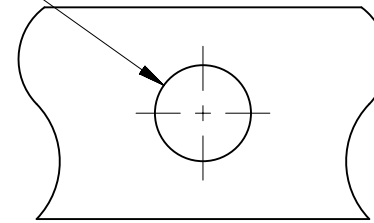
REVISION HISTORY			
REV	DATE	BY	DESCRIPTION
D	21NOV2014	CMS/ACH	PRN: P2014-2384



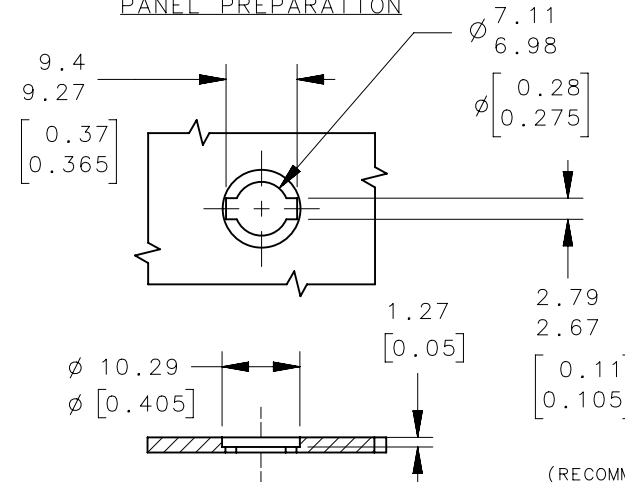
D1-125-075-030SE SHOWN



$\phi 12.7 \pm 0.10$
[0.500 \pm 0.004]

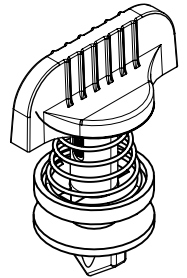


PANEL PREPARATION



ALTERNATE PANEL STUD HOLE

(RECOMMENDED PANEL STUD HOLE FOR INTERFERENCE FIT IN DUCTILE PLASTIC PANELS GREATER THAN 0.75 THICK)



SCALE 1:1

ASSEMBLY PART NUMBER	STUD "L" DIM	EJECTING SPRING
D1-125-045-030SE	11.43	D1-X1135-2S
D1-125-050-030SE	12.70	D1-X1135-2S
D1-125-055-030SE	13.97	D1-X1135-2S
D1-125-060-030SE	15.24	D1-X1135-2S
D1-125-065-030SE	16.51	D1-X1135-2S
D1-125-070-030SE	17.78	D1-X1135-2S
D1-125-075-030SE	19.05	D1-X1137-2S
D1-125-080-030SE	20.32	D1-X1137-2S
D1-125-085-030SE	21.59	D1-X1137-2S
D1-125-090-030SE	22.86	D1-X1137-2S
D1-125-095-030SE	24.13	D1-X1137-2S
D1-125-100-030SE	25.40	D1-X1137-2S

5	D1-125-XXX-030SE	1	ASSEMBLY	-	-
4	-	1	SELF EJECTING SPRING	STAINLESS STEEL	NATURAL
3	-	1	STUD	NYLON 66 15% G/F	BLACK
2	-	1	SELF EJECTING CUP	ACETAL	BLACK
1	D1-004-000-010	1	RETAINER SPLIT	ACETAL COPOLYMER	BLACK
NO.	SOUTHCO PART NUMBER	QTY	TYPE OF COMPONENT	MATERIAL	FINISH

PROPRIETARY ITEM <small>EXCEPT FOR USES EXPRESSLY GRANTED IN WRITING, INFORMATION DISCLOSED HEREON IS CONFIDENTIAL AND ALL RIGHTS, PATENT AND OTHERWISE, ARE RESERVED BY SOUTHCO, INC.</small>	THIRD ANGLE PROJECTION	 CONNECT • CREATE • INNOVATE			
	MILLIMETERS [IN]				
	TOLERANCES UNLESS OTHERWISE NOTED	DESCRIPTION			
	ALL DIMENSIONS WITHOUT TOLERANCES ARE FOR REFERENCE ONLY.	D1 STANDARD DART STUD SELF EJECTING ASSEMBLY			
PER ASME Y14.5M-1994	SIZE A4 SYSTEM NX DWG NO. J-D1-125-XXX-030SE DRAWN BY ACH/MJS DATE 27JUL2009 SCALE 1:1 SHEET 1 OF 1				