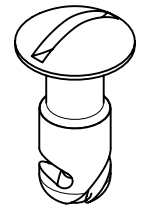
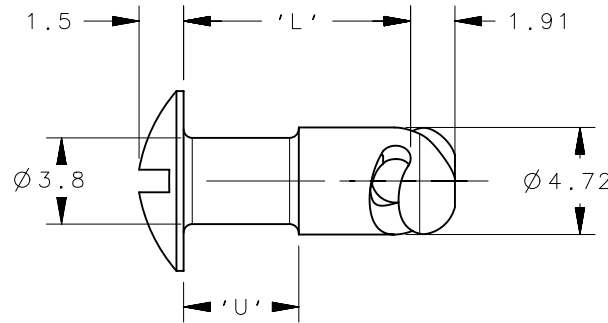
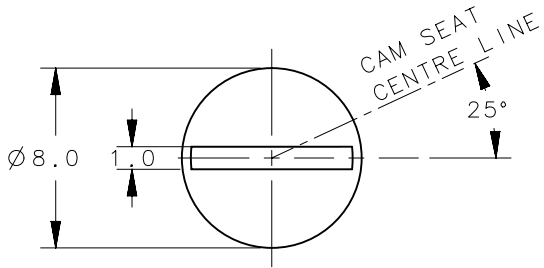


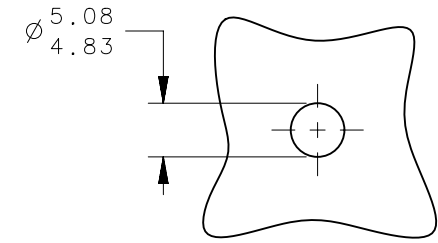
REVISION HISTORY			
REV	DATE	BY	DESCRIPTION
C	04MAY2020	CRM/DMS	PRN: P2020-0826



SCALE 2:1

PART No.	'L'	'U'
D4-AJ3-20	5.08	1.90
D4-AJ3-25	6.35	1.90
D4-AJ3-30	7.62	2.54
D4-AJ3-35	8.89	3.81
D4-AJ3-40	10.16	5.08
D4-AJ3-45	11.43	5.77
D4-AJ3-50	12.70	6.35
D4-AJ3-55	13.97	6.99
D4-AJ3-60	15.24	7.62
D4-AJ3-65	16.51	8.89
D4-AJ3-70	17.78	8.89
D4-AJ3-75	19.05	9.50
D4-AJ3-80	20.32	10.16
D4-AJ3-85	21.59	10.16
D4-AJ3-90	22.86	12.70
D4-AJ3-95	24.13	12.70
D4-AJ3-100	25.40	12.70

PART No.	'L'	'U'
D4-AJ3-110	27.94	12.70
D4-AJ3-120	30.48	12.70
D4-AJ3-130	33.02	12.70
D4-AJ3-140	35.56	12.70
D4-AJ3-150	38.10	12.70
D4-AJ3-160	40.64	12.70
D4-AJ3-170	43.18	12.70
D4-AJ3-180	45.72	12.70
D4-AJ3-190	48.26	12.70
D4-AJ3-200	50.80	12.70
D4-AJ3-210	53.34	12.70
D4-AJ3-220	55.88	12.70
D4-AJ3-230	58.42	12.70
D4-AJ3-240	60.96	12.70
D4-AJ3-250	63.50	12.70



STANDARD PANEL PREPARATION

D4-AJ3-XXSS	STUD	STAINLESS STEEL	CLEAN
D4-AJ3-XX	STUD	CARBON STEEL	ZINC & CLEAR PASSIVATED
PART NUMBER	TYPE OF COMPONENT	MATERIAL	FINISH
THIRD ANGLE PROJECTION		 CONNECT • CREATE • INNOVATE	
MILLIMETERS [IN]			
TOLERANCES UNLESS OTHERWISE NOTED		DESCRIPTION	
ALL DIMENSIONS WITHOUT TOLERANCES ARE FOR REFERENCE ONLY.		STANDARD LINE FASTENER SIZE 3 SLOTTED HEAD	
PROPRIETARY ITEM		SIZE	DWG NO.
EXCEPT FOR USES EXPRESSLY GRANTED IN WRITING, INFORMATION DISCLOSED HEREON IS CONFIDENTIAL AND ALL RIGHTS, PATENT AND OTHERWISE, ARE RESERVED BY SOUTHCO, INC.		A4	J-D4-AJ3
PER ASME Y14.5M-1994		SYSTEM	SCALE
		NX	3:1
		DRAWN BY	SHEET
		MJW	1 OF 1
		DATE	
		23JAN2008	