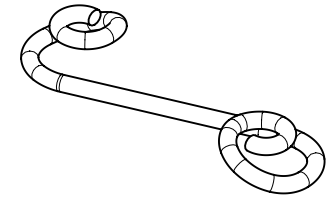
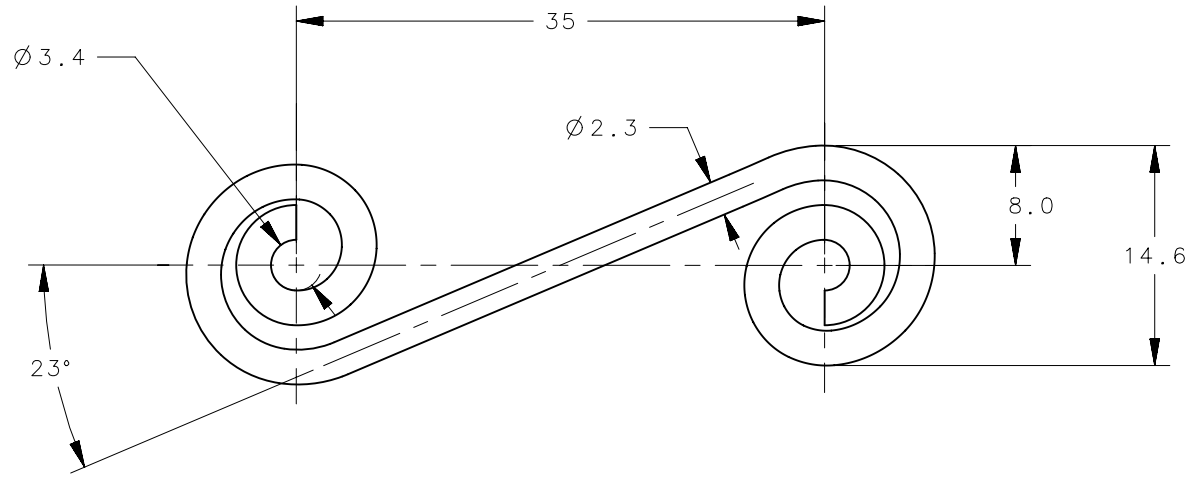
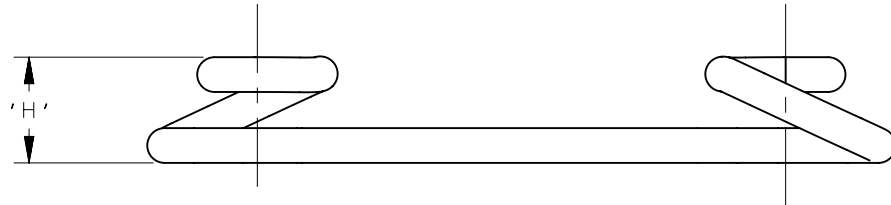


REVISION HISTORY			
REV	DATE	BY	DESCRIPTION
A	10JUL2017	SPD/YGC	PRN: P2017-1649



SCALE 1:1



PART NUMBER	'H' DIM.
D4-S6-225	5.72
D4-S6-250	6.35
D4-S6-275	6.99
D4-S6-300	7.62
D4-S6-325	8.26
D4-S6-350	8.89
D4-S6-375	9.53
D4-S6-400	10.16
D4-S6-425	10.80

D4-S6-XXXSS	SPRING	STAINLESS STEEL	CLEAN
D4-S6-XXX	SPRING	SPRING STEEL	ZINC PLATE
PART NUMBER	TYPE OF COMPONENT	MATERIAL	FINISH
THIRD ANGLE PROJECTION		<b>southco</b> <sup>®</sup> CONNECT • CREATE • INNOVATE	
MILLIMETERS [IN]			
TOLERANCES UNLESS OTHERWISE NOTED		DESCRIPTION	
ALL DIMENSIONS WITHOUT TOLERANCES ARE FOR REFERENCE ONLY.		SPRING - S6 TYPE	
PROPRIETARY ITEM <small>EXCEPT FOR USES EXPRESSLY GRANTED IN WRITING, INFORMATION DISCLOSED HEREON IS CONFIDENTIAL AND ALL RIGHTS, PATENT AND OTHERWISE, ARE RESERVED BY SOUTHCO, INC.</small>		SIZE A4	SYSTEM NX DWG NO. J-D4-S6
PER ASME Y14.5M-1994		DRAWN BY MJW	DATE 27JUL2007 SCALE 2:1 SHEET 1 OF 1