

- NOTES:
 A. TIGHTENING TORQUE OF MOUNTING NUTS
 NOT TO EXCEED 25 in-lbs.
 B. MOUNTING HEX NUT AND LOCKWASHER 4 EACH INCLUDED
 UNASSEMBLED

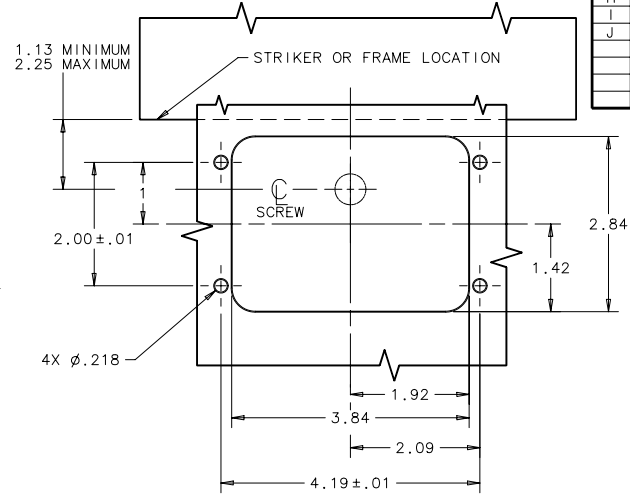
southco

PROPRIETARY ITEM - EXCEPT FOR USES EXPRESSLY
 GRANTED IN WRITING INFORMATION DISCLOSED
 HEREON IS CONFIDENTIAL AND ALL RIGHTS PATENT
 AND OTHERWISE ARE RESERVED BY SOUTHCO, INC.

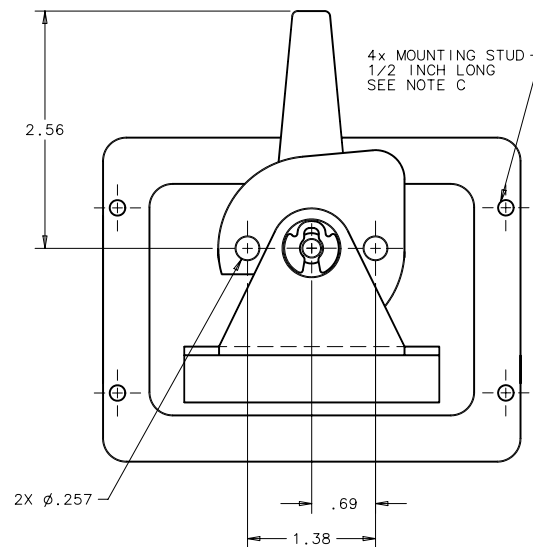
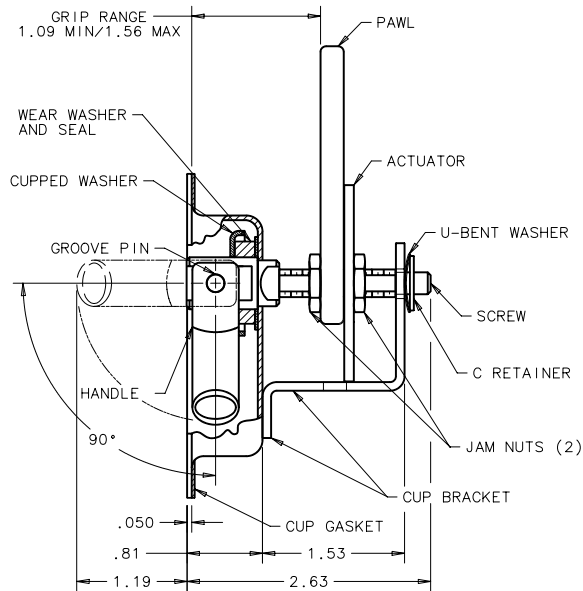
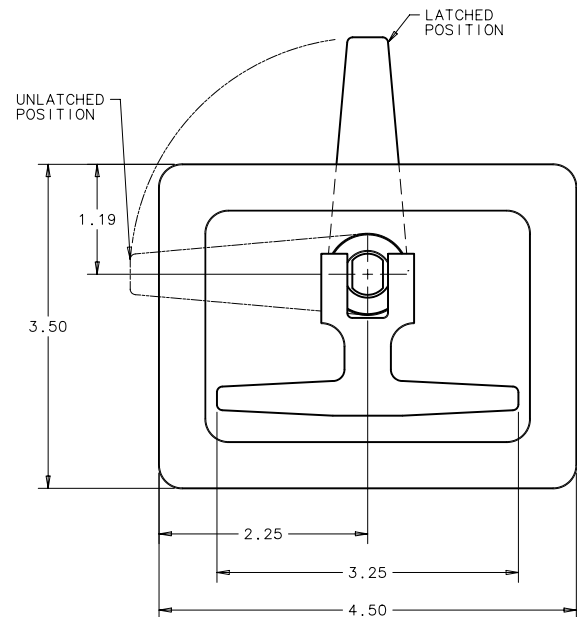
No. 24 FASTENER HEAVY DUTY TYPE A
 ADAPTABLE FOR 3 POINT LATCH(STUD MOUNT)

DATE	DRAWN	CHKD	SCALE	DRAWING NUMBER
5-15-86	RJB		.75:1	J-24-20-312-35

REV	DATE	DRAWN/CHKD	DESCRIPTION	ITEM	PART NUMBER	MATERIAL	FINISH
G	28JUN96	RDG	PRN: 24-166	ASSEMBLY	24-20-312-35	-	-
H	04MAR99	JDK/JGK	PRN: 24-188	GROOVE PIN	-	STEEL	ZINC PLATE PLUS BRIGHT CHROMATE
I	14MAY2004	RLR/AJH	PRN: P2004-0492	SCREW	-	STEEL	ZINC FLAKE COATING
J	12APR2005	BRP/AJH	PRN: P2005-0592	SEAL	-	NEOPRENE	BLACK
				PAWL	-	STEEL	ZINC FLAKE COATING
				JAM NUT(2)	-	STEEL	ZINC PLATE CHROMATE PLUS SEALER
				ACTUATOR	-	STEEL	ZINC FLAKE COATING
				U BENT WASHER	-	STEEL	ZINC PLATE PLUS YELLOW CHROMATE DIP
				C RETAINER	-	STEEL	ZINC PLATE PLUS YELLOW CHROMATE DIP
				WEAR WASHER	-	NYLON	BLACK
				CUP GASKET	-	NEOPRENE	BLACK
				HANDLE	-	DIE CAST ZINC	CHROME PLATE
				CUP WASHER	-	STEEL	CHROME PLATE
				CUP BRACKET	-	STEEL	ELECTROPOLISH
				HEX NUT(4)	-	STAINLESS STEEL	PASSIVATE
				LOCKWASHER(4)	-	STAINLESS STEEL	PASSIVATE



PANEL PREPARATION



THESE ASSEMBLIES ARE NON-REPAIRABLE
 ITEMS AND COMPONENTS ARE NOT AVAILABLE
 AS REPLACEMENT OR REPAIR PARTS.

INCHES
 ALL DIMENSIONS WITHOUT
 TOLERANCES ARE FOR
 REFERENCE ONLY.
 THIRD ANGLE PROJECTION
 B
 PAPER
 SIZE