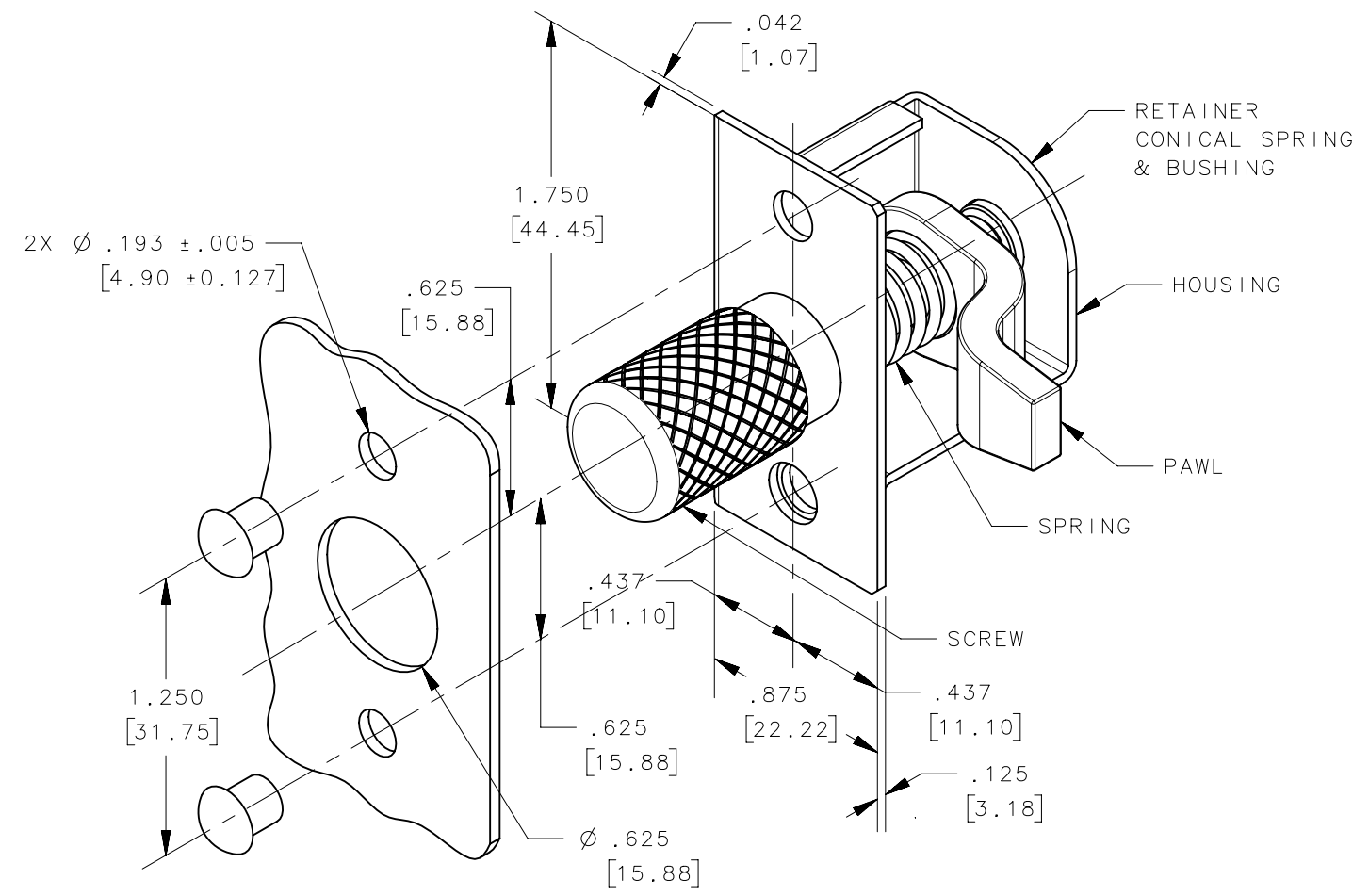
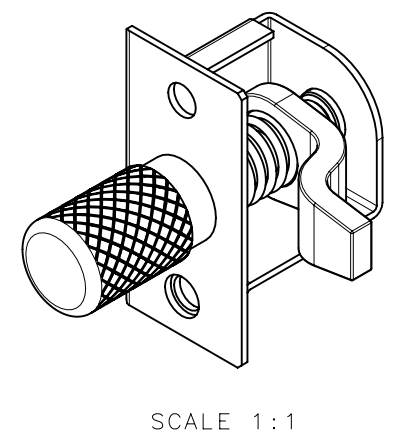
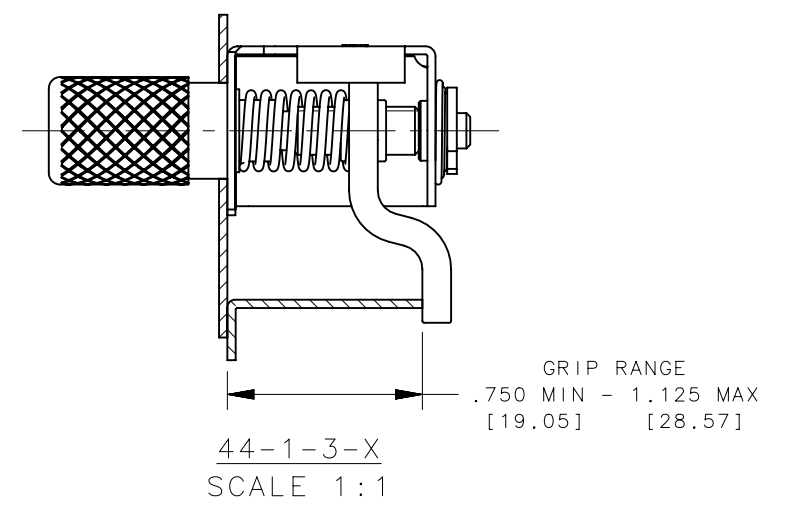
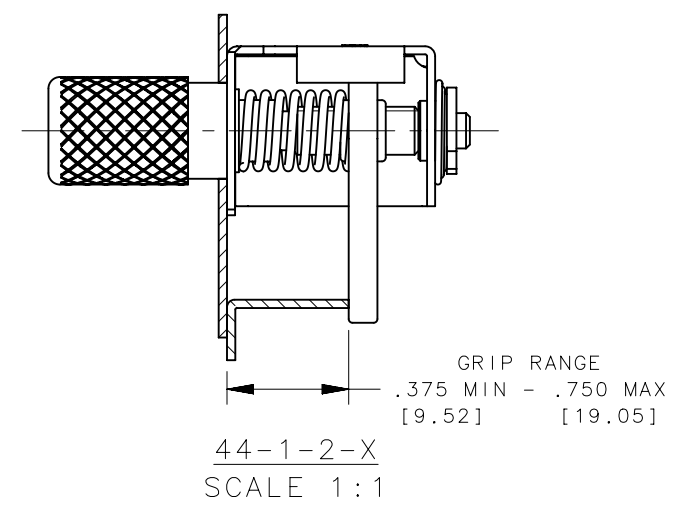
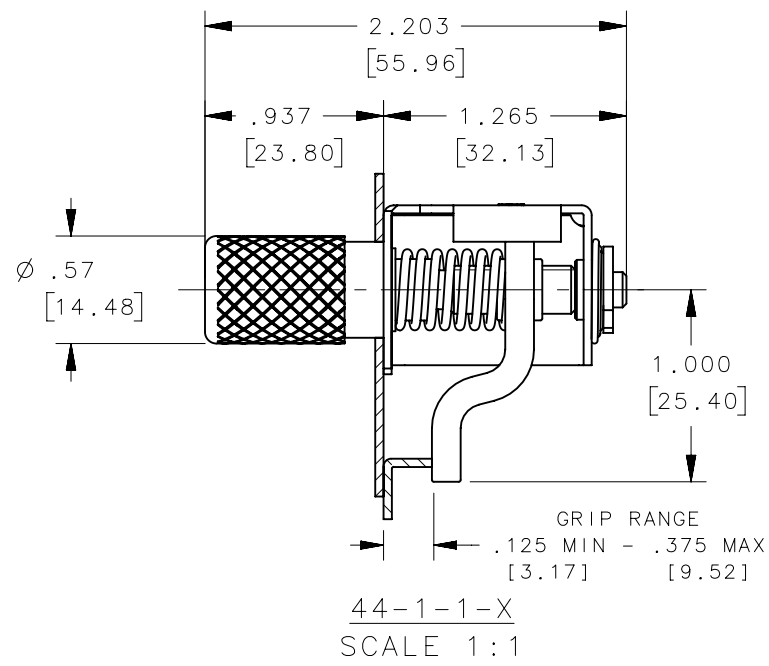


REVISION HISTORY			
REV	DATE	BY	DESCRIPTION
AA	28JAN2014	DMS/YGC	PRN: P2009-0571



NO.	PART NUMBER	QTY	TYPE OF COMPONENT	MATERIAL	FINISH	GRIP RANGE
7	-	1	WASHER, RETAINER	STEEL	SEE NOTE A	-
6	-	1	HOUSING RIGHT HAND	STEEL	SEE NOTE A	-
5	-	1	BUSHING	STEEL	SEE NOTE A	-
4	-	1	PAWL, STRAIGHT	STEEL	SEE NOTE A	-
	-	1	PAWL, BENT	STEEL	SEE NOTE A	-
3	-	1	SCREW	STEEL	CHROME PLATE	-
	-	1	SCREW	STEEL	SEE NOTE A	-
2	-	1	SPRING	STAINLESS STEEL	PASSIVATED	-
1	-	1	CONICAL SPRING	STAINLESS STEEL	PASSIVATED	-
-	44-1-3-1	-	LATCH ASSEMBLY	-	-	.750 TO 1.125
-	44-1-3-0	-	LATCH ASSEMBLY	-	-	BENT PAWL REVERSED
-	44-1-2-1	-	LATCH ASSEMBLY	-	-	.375 TO .750
-	44-1-2-0	-	LATCH ASSEMBLY	-	-	STRAIGHT PAWL
-	44-1-1-1	-	LATCH ASSEMBLY	-	-	.125 TO .375
-	44-1-1-0	1	LATCH ASSEMBLY	-	-	BENT PAWL FORWARD

NOTES:  
A. ZINC PLATE, CHROMATE PLUS SEALER.  
B. PART NUMBERS ENDING IN -1 REQUIRE CARDBOARD TUBE (.59" ID X 1.5" LG) ON SCREW HEAD TO PROTECT FINISH AFTER ASSEMBLY.  
C. THESE ASSEMBLIES ARE NON-REPAIRABLE ITEMS AND COMPONENTS ARE NOT AVAILABLE AS REPLACEMENT OR REPAIR PARTS.

THIRD ANGLE PROJECTION

UNIT WT. = .163 LBS EACH

INCHES [MM]

TOLERANCES UNLESS OTHERWISE NOTED

ALL DIMENSIONS WITHOUT TOLERANCES ARE FOR REFERENCE ONLY.

PER ASME Y14.5M-1994

**southco**<sup>®</sup>  
CONNECT • CREATE • INNOVATE

DESCRIPTION: SOUTHCO ADJUSTABLE PAWL FASTENER NO.44 TYPE A ASSEMBLY - KNURLED HEAD

SIZE: B SYSTEM: NX DWG NO.: J-44-1

DRAWN BY: ASK DATE: 15DEC1953 SCALE: 1.5:1 SHEET: 1 OF 1