

NOTES:

- A. OPERATION: 195° TURN OF KEY CAUSES PAWL TO ROTATE 75° THEN PULL UP 6.4.
- B. PAWL, NUTS, AND LOCKWASHERS SHIPPED UNASSEMBLED IN BAG WITH LATCH ASSEMBLY.
- C. INSTALLATION:
1. INSERT LATCH INTO HOLE IN DOOR. CHECK FOR PROPER ORIENTATION AND OPERATION OF PAWL.
  2. INSTALL USING LOCKWASHER AND MOUNTING NUT (27mm ACROSS FLATS). MAX TIGHTENING TORQUE 28 Nm.
  3. INSTALL JAM NUT, LOCKWASHER, PAWL, LOCKWASHER, AND JAM NUT ON SHAFT. ADJUST JAM NUTS TO POSITION PAWL AT CORRECT GRIP (WITH LATCH CLOSED). TIGHTEN JAM NUTS (20 Nm MAX. TORQUE) USING TWO 17mm WRENCHES.
  4. CAUTION: ADJUST PAWL SO THAT NO MORE THAN 7.9 Nm TORQUE ON KEY IS REQUIRED TO CLOSE LATCH.



PROPRIETARY ITEM - EXCEPT FOR USES EXPRESSLY GRANTED IN WRITING INFORMATION DISCLOSED HEREON IS CONFIDENTIAL AND ALL RIGHTS PATENT AND OTHERWISE ARE RESERVED BY SOUTHCO, INC.

WISE-ACTION™ LATCH - INTERNATIONAL SERIES  
KNOB OPERATED

DATE	DRAWN/CHKD	SCALE	DRAWING NUMBER
06JUN98	PVAN	1:1	J-E3-17

REV	DATE	DRAWN/CHKD	DESCRIPTION	ITEM	PART NUMBER	GRIP RANGE	EXTENDED GRIP RANGE	PAWL OFFSET
A	18MAY99	MDM/CAW	PRN: E3-798	LATCH ASSEMBLY	E3-X7-1X	11.4 - 27.2	66.3 - 76.2	27.4
B	04SEP2001	EPJ	PRN: P2001-0471	LATCH ASSEMBLY	E3-X7-2X	25.4 - 41.1	52.6 - 68.3	13.7
C	05MAR2003	RLR/MJS	PRN: P2003-0112	LATCH ASSEMBLY	E3-X7-3X	38.9 - 54.6	NONE	NONE
D	23DEC2004	MDY/RLR	PRN: P2004-1462					
E	01MAY2007	BWR/RLR	PRN: P2007-0587					
F	26MAR2020	CMS/MSR	PRN: P2020-0563					

**MILLIMETERS**

ALL DIMENSIONS WITHOUT TOLERANCES ARE FOR REFERENCE ONLY.

A3 PAPER SIZE

PART NUMBER OPTIONS

E3-X7-XX

TYPE

- 1 - TYPE A (RIGHT HAND OPERATION)
- 22 - TYPE B (LEFT HAND OPERATION)

FINISH OPTIONS

- 1 - BRIGHT CHROME PLATE
- 4 - CARDINAL WHITE POWDER COAT
- 5 - BLACK POWDER COAT
- 6 - LIGHT GRAY POWDER COAT
- 7 - SATIN SILVER POLYESTER POWDER COAT
- 8 - SILVER METALLIC URETHANE POWDER COAT

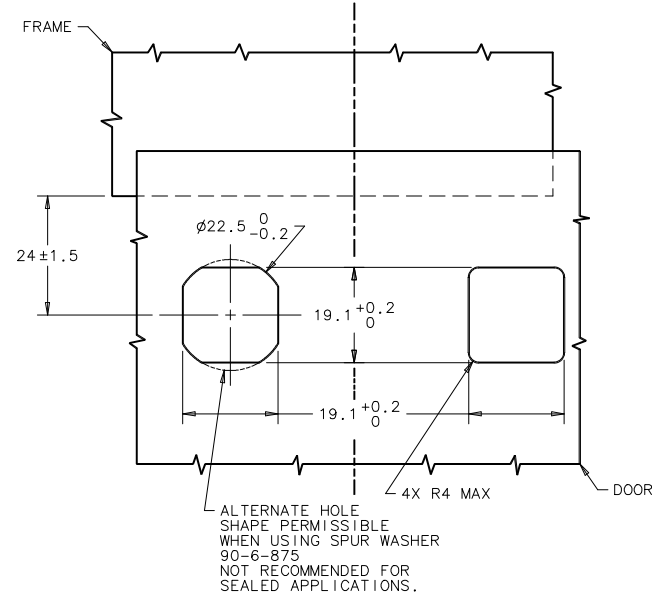
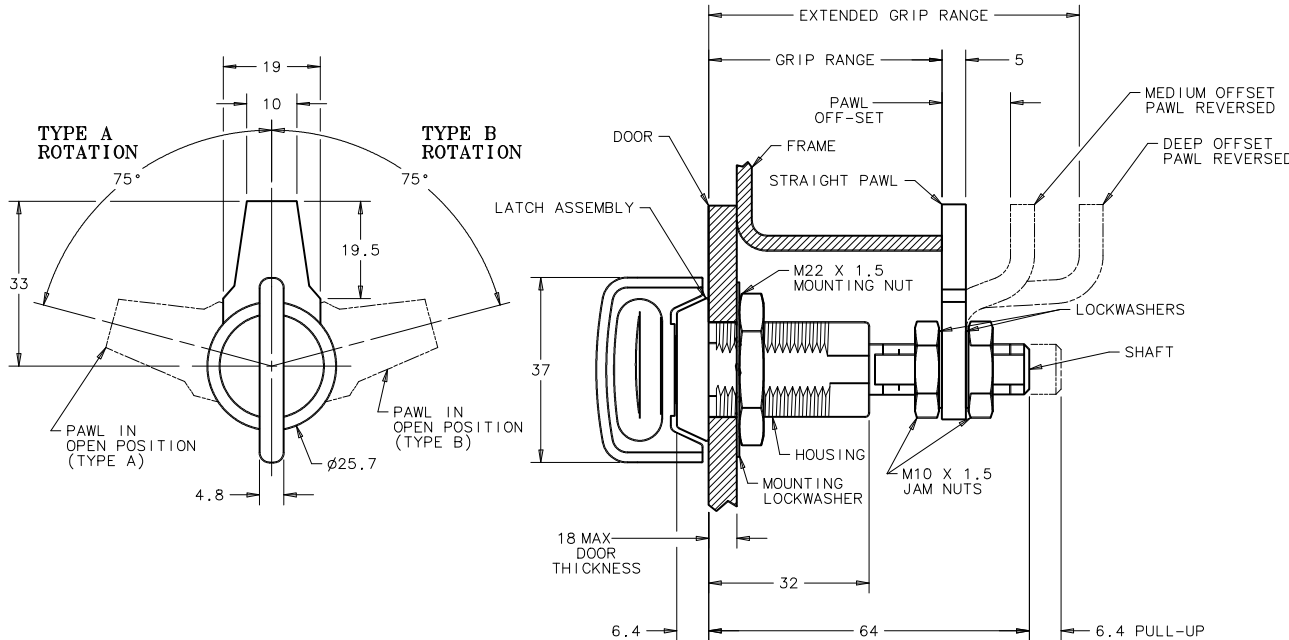
COMPONENT	MATERIAL	FINISH
HOUSING	DIE CAST ZINC	SEE FINISH TABLE
KNOB	DIE CAST ZINC	SEE FINISH TABLE
RETAINER	302 STAINLESS STEEL	NATURAL
SPRING	302 STAINLESS STEEL	NATURAL
O-RING	BUNA-N	NATURAL
SLEEVE	1075 STEEL	ZINC IMMERSION COATING †
CAM	1075 STEEL	ZINC IMMERSION COATING †
SHAFT	LOW CARBON STEEL	ZINC PLATE CHROMATE, PLUS SEALER
PIN	1008 STEEL	ZINC PLATE PLUS CHROMATE DIP, YELLOW
PAWL	1010 STEEL	ZINC PLATE CHROMATE, PLUS SEALER
JAM NUTS (2)	LOW CARBON STEEL	ZINC PLATE CHROMATE, PLUS SEALER
LOCKWASHERS (2)	SPRING STEEL	ZINC PLATE CHROMATE, PLUS SEALER
MOUNTING NUT	DIE CAST ZINC	ZINC PLATE, BRIGHT CHROMATE
MOUNTING LOCKWASHER	SPRING STEEL	ZINC PLATE CHROMATE, PLUS SEALER

DOOR PREPARATION

METHOD A

METHOD B

(NOT RECOMMENDED FOR GASKETED APPLICATIONS)



† TM - METAL COATINGS INTERNATIONAL, INC.