

Southco

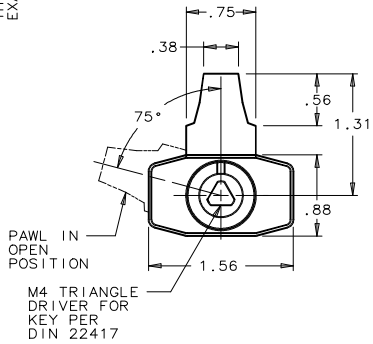
PROPRIETARY ITEM - EXCEPT FOR USES EXPRESSLY IDENTIFIED IN THIS INFORMATION, ALL RIGHTS RESERVED. SOUTHCO, INC. AND OTHER TRADE NAMES ARE RESERVED BY SOUTHCO, INC.

WISE ACTION™ LATCH
M4 TRIANGLE DRIVER

DRAWING NUMBER
J-E3-33

REV.	DATE	DRAWN	REVISION	ASSEMBLY PART NO.	GRIP RANGE	PAWL OFFSET
C	09OCT96	BWD	PRN: S-93-23	E3-33-1X	2.27 - 3.88 or 1.08	
D	03DEC98	UGK	PRN: E3-716A	E3-33-2X	0.88 - 1.42 or 0.54	
E	07JUL99	SKK	PRN: E3-801/E3-806	E3-33-3X	1.39 - 2.00	NONE
F	14FEB2001	JRS	PRN: E3-847A			
G	29JAN2015	CMS	MWD PRN: P2015-0226			
H	30JUN2021	CMS	PRN: P2021-1293			

THE ABOVE PART NUMBERS ARE TYPE "A" (TURN CLOCKWISE TO LATCH). FOR TYPE "B" ASSEMBLIES (TURN COUNTERCLOCKWISE TO LATCH), CHANGE THE THIRD DIGIT OF THE PART NUMBER FROM 3 TO 23.
EXAMPLE: E3-233-15

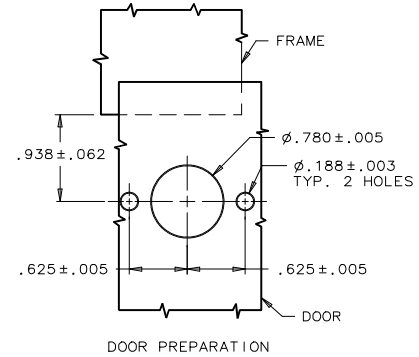
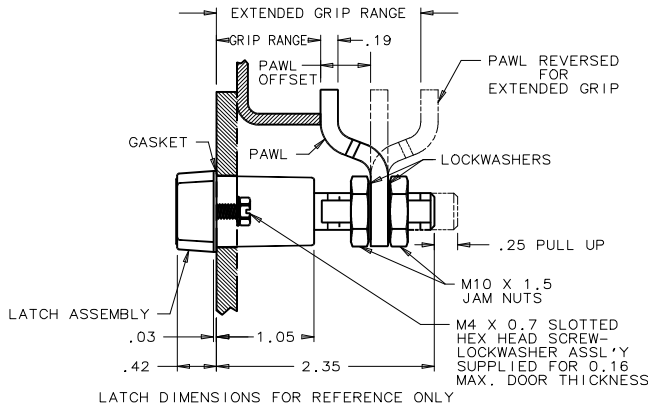
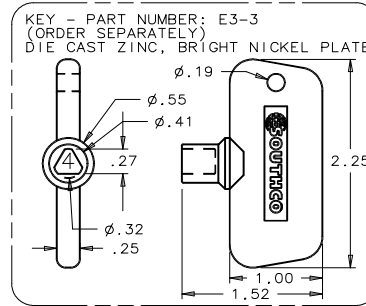


M4 TRIANGLE DRIVER FOR KEY PIER DIN 22417

NOTE: ZINC PLATE CHROMATE PLUS SEALER

X- FINISH TABLE

- 1 - BRIGHT CHROMATE PLATE
- 4 - CARDINAL WHITE POWDER COAT
- 5 - BLACK POWDER COAT
- 7 - SATIN SILVER POLYESTER POWDER COAT



NOTES:

1. OPERATION: 195° TURN OF KEY CAUSES PAWL TO ROTATE 75° THEN PULL UP 0.25.
2. PAWL, NUTS, LOCKWASHERS, GASKET, AND SCREW ASS'Y'S SHIPPED UNASSEMBLED IN BAG WITH LATCH ASSEMBLY.
3. INSTALLATION:
 - a. INSTALL GASKET OVER LATCH AND INSTALL LATCH IN DOOR. ATTACH USING M4 SCREW ASSEMBLIES (7mm HEX) 15 in-lb MAX. TIGHTENING TORQUE.
 - b. INSTALL JAM NUT, LOCKWASHER, PAWL, LOCKWASHER, AND JAM NUT ON SHAFT. ADJUST JAM NUTS TO POSITION PAWL AT CORRECT GRIP (WITH LATCH CLOSED). TIGHTEN JAM NUTS (180 in-lb MAX. TORQUE) USING TWO 17mm WRENCHES.

CAUTION: ADJUST PAWL SO THAT NO MORE THAN 70 in-lb TORQUE ON KEY IS REQUIRED TO CLOSE LATCH.

DRAWING NUMBER

J-E3-33

†TM - METAL COATINGS INTERNATIONAL, INC.

PATENT US, UK

DIMENSIONS ARE INCHES UNLESS NOTED OTHERWISE