

NOTES:

- A. REFER TO DRAWING No. J-F6-2-2 FOR INSTALLATION INSTRUCTIONS.
- B. FLAT FRAME LEAF CAN BE MOUNTED (AS SHOWN ON DRAWING J-F6-2-2) CUSTOM OFFSET DEPTHS AND MOUNTING HOLES CAN BE ADDED. CALL SOUTHCO FOR DETAILS.

southco

PROPRIETARY ITEM - EXCEPT FOR USES EXPRESSLY GRANTED IN WRITING INFORMATION DISCLOSED HEREON IS CONFIDENTIAL AND ALL RIGHTS PATENT AND OTHERWISE ARE RESERVED BY SOUTHCO, INC.

F6 CONCEALED HINGE
FRAME LEAVES

DATE	DRAWN	CHKD	SCALE
08 MAR 2007	JHV		0.75:1

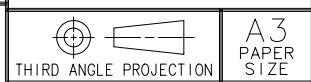
DRAWING NUMBER
J-F6-2-3

REV	DATE	DRAWN/CHKD	DESCRIPTION
A	14MAR2007	JHV/AJH	PRN: P2007-0356
B	24MAY2007	JHV/AJH	PRN: P2007-0696
C	04MAR2010	MJS/MJS	PRN: P2010-0218

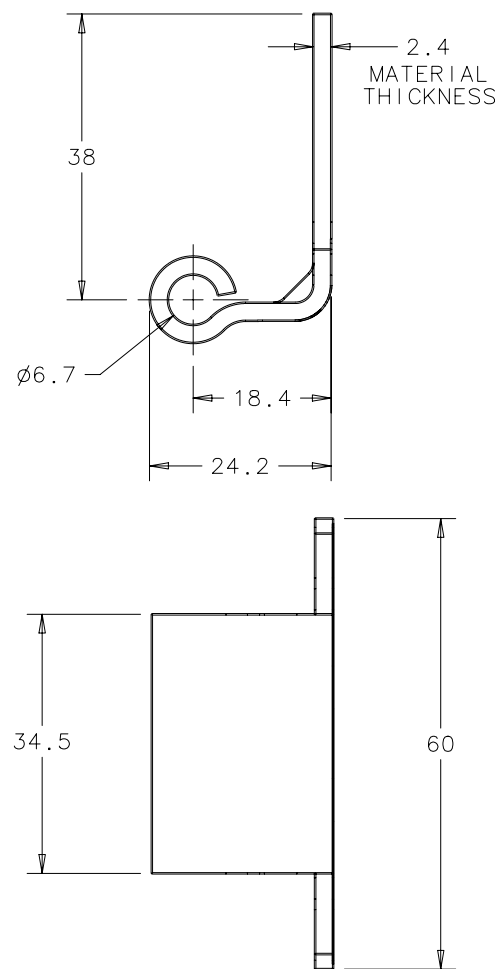
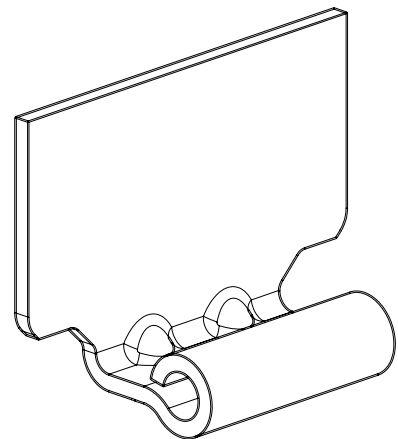
FRAME LEAF TYPE - PART NUMBERS			
FLAT		FORMED	
WELD MOUNT	HOLE MOUNT	M5 STUDS	10-32 STUDS
F6-904-5	F6-905-5	F6-908-5	F6-907-5
F6-904	F6-905	F6-908	F6-907

MATERIAL & FINISH
STAINLESS STEEL, NATURAL STEEL, ZINC PLATE, CHROMATE DIP

MILLIMETERS
TOLERANCES UNLESS OTHERWISE NOTED
ALL DIMENSIONS WITHOUT TOLERANCES ARE FOR REFERENCE ONLY.

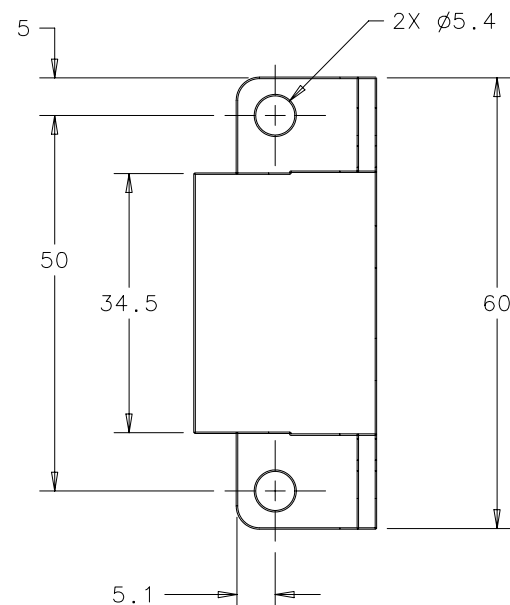
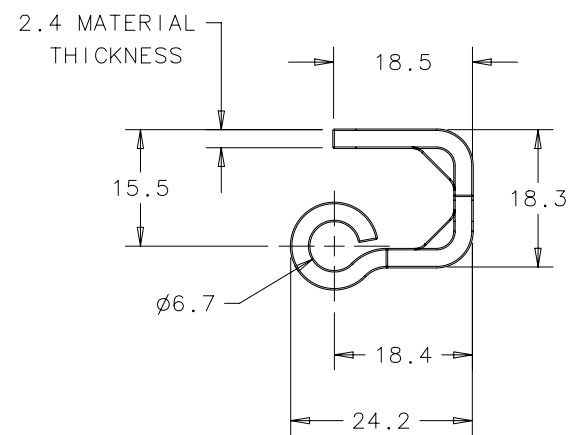
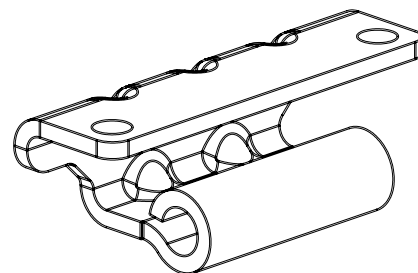


FLAT - WELD MOUNT



FORMED - HOLE MOUNT

INSTALL WITH M5 OR 10-32
HARDWARE, NOT SUPPLIED.



FORMED - STUD MOUNT

