

REV.	DATE	DRAWN	REVISION	ITEM	MATERIAL	COLOR
A	10JUN96	AAB	PRN: G6-02	OUTER LEAF	NYLON	
B	08JUL96	AAB	PRN: G6-03	INNER LEAF	NYLON	
C	21APR97	VP	PRN: G6-07A	COVERS	NYLON	SEE ASSEMBLY DESCRIPTION TABLE
D	05DEC97	SL	PRN: G6-08	HINGE PIN	ACETAL HOMOPOLYMER	
E	26AUG99	SWD	PRN: G6-12	HINGE PIN INSERT	ACETAL HOMOPOLYMER	
F	04MAY2016	CMS/TS	PRN: P2016-1010	SPRING	URETHANE	BLACK

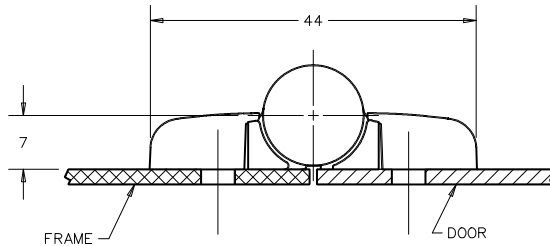
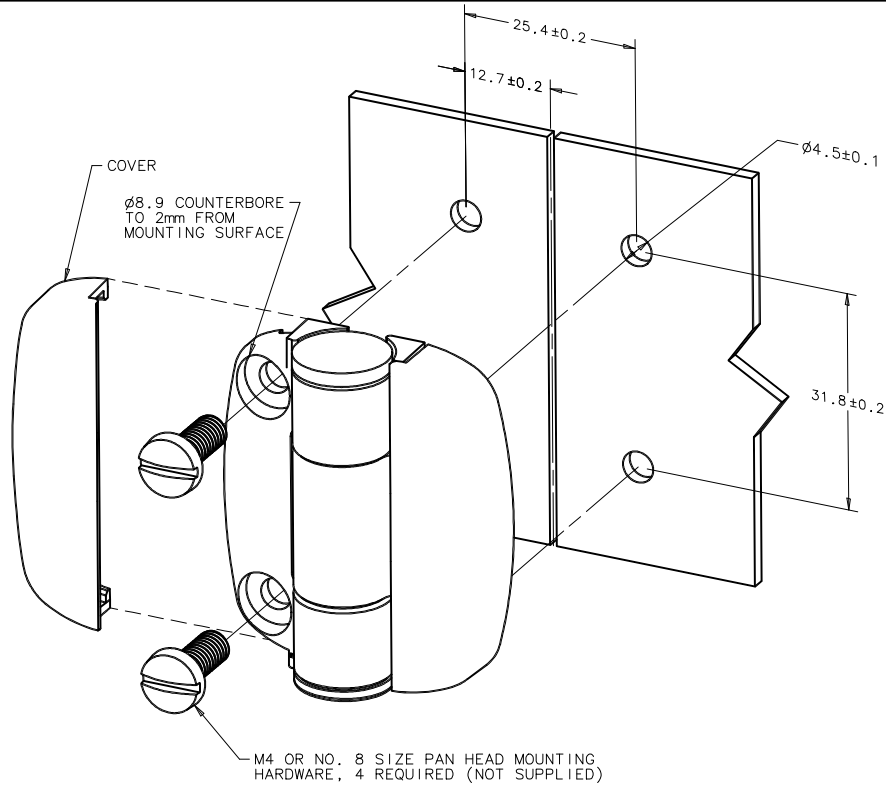
WILL METER DIMENSIONS  
DIMENSIONS WITHOUT  
TOLERANCES ARE FOR  
REFERENCE ONLY.

THIRD ANGLE PROJECTION

A3  
PAPER  
SIZE

**INSTALLATION INSTRUCTIONS**

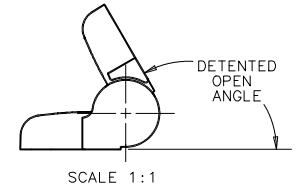
1. PREPARE INSTALLATION HOLES AS SHOWN.
2. MOUNT HINGE SUB-ASSEMBLY WITH APPROPRIATE FASTENING HARDWARE. MAXIMUM RECOMMENDED TIGHTENING TORQUE = 225 N.cm (20 in.lbs).
3. SNAP COVERS IN PLACE TO HIDE MOUNTING HARDWARE.



**ASSEMBLY DESCRIPTION**

ASSEMBLY PART NUMBER	DETTENTED OPEN ANGLE	COLOR
G6-5-1	120°	BLACK
G6-0-1	FREE-SWINGING	BLACK
G6-0-3	FREE-SWINGING	WHITE
G6-5-3	120°	WHITE

DRAWING NUMBER  
J-G6-1



**NOTES:**

- A: DETENT HINGE ALSO HAS DETENTED OPEN ANGLE AT 170°, AND BIASES THE DOOR CLOSED AGAINST A FRAME.
- B: HINGE ASSEMBLY PART NUMBERS SHOWN CONSIST OF ONE HINGE SUBASSEMBLY AND TWO COVERS, SHIPPED SEPARATELY, BULK.
- C: FOR ONE HINGE SUB-ASSEMBLY AND TWO COVERS PACKAGED IN A POLY BAG, ADD -2 TO THE PART NUMBERS SHOWN ABOVE (EX. G6-5-1-2).
- D: HINGE SUB-ASSEMBLIES AND COVERS ARE DESIGNED TO ACCOMMODATE M4 OR NO. 8 SIZE PAN HEAD MOUNTING HARDWARE (NOT SUPPLIED).

