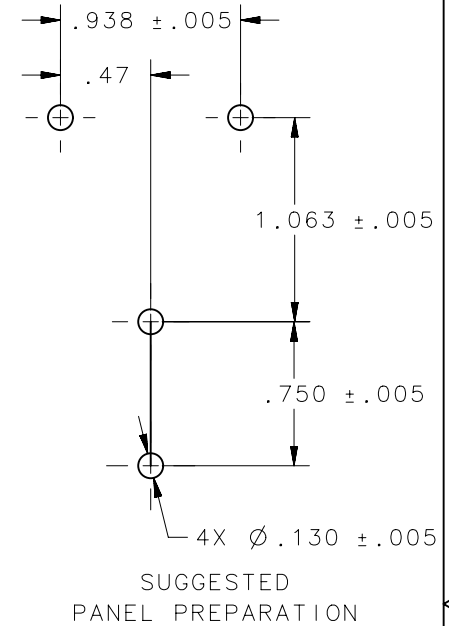
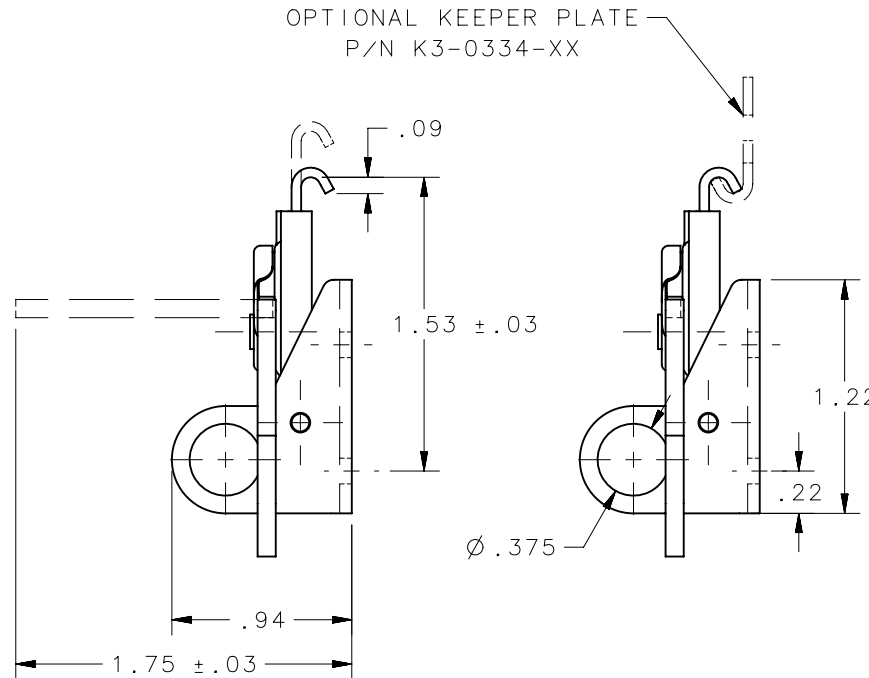
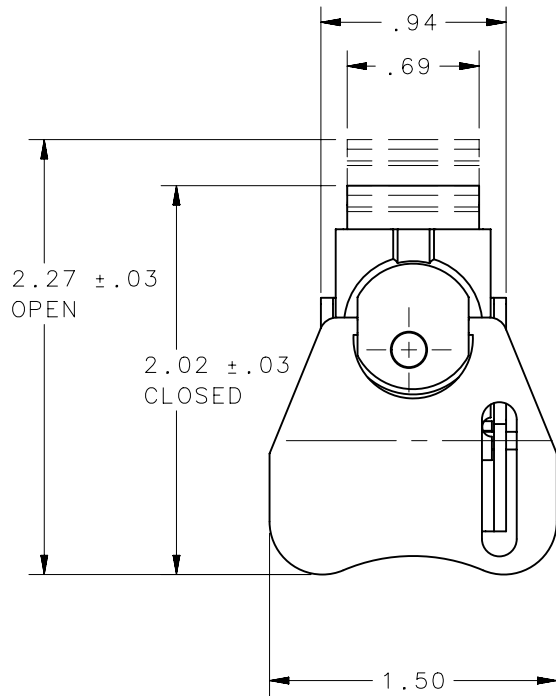


REVISION HISTORY			
REV	DATE	BY	DESCRIPTION
B	22APR2021	KSH/VK	PRN: P2021-0807



NOTES:

MATERIAL & FINISH

- HOUSING, WING, UPPER CAM AND LOWER CAM ARE CARBON STEEL. ANCHOR PLATE AND SLIDE ARE HARDENED ALLOY STEEL. CAP, CAM RIVET AND ANCHOR PLATE RIVET ARE STAINLESS STEEL.
- ZINC PLATE, BRIGHT CHROMATE DIP.
- ZINC PLATE, YELLOW CHROMATE DIP.
- ZINC PLATE, BLACK CHROMATE DIP.

K3-2403-55	STAINLESS STEEL	BLACK OXIDE
K3-2403-52	STAINLESS STEEL	NATURAL
K3-2403-09	SEE NOTE 1	SEE NOTE 4
K3-2403-08	SEE NOTE 1	SEE NOTE 3
K3-2403-07	SEE NOTE 1	SEE NOTE 2
PART NUMBER	MATERIAL	FINISH

CPB NUMBER	STANDARD	THIRD ANGLE PROJECTION				
		INCHES [MM]				
		TOLERANCES UNLESS OTHERWISE NOTED	DESCRIPTION			
		ALL DIMENSIONS WITHOUT TOLERANCES ARE FOR REFERENCE ONLY.	No. 3 - 10 LINK LOCK PADLOCKABLE			
PROPRIETARY ITEM		PER ASME Y14.5M-1994	SIZE	SYSTEM	DWG NO.	
EXCEPT FOR USES EXPRESSLY GRANTED IN WRITING, INFORMATION DISCLOSED HEREON IS CONFIDENTIAL AND ALL RIGHTS, PATENT AND OTHERWISE, ARE RESERVED BY SOUTHCO, INC.			A	NX	J-K3-2403	
			DRAWN BY	DATE	SCALE	SHEET
			SWD/CHW	21FEB1997	1:1	1 OF 1