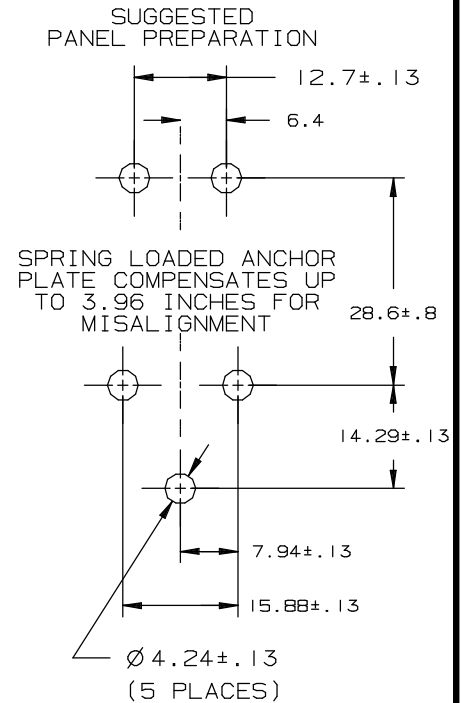
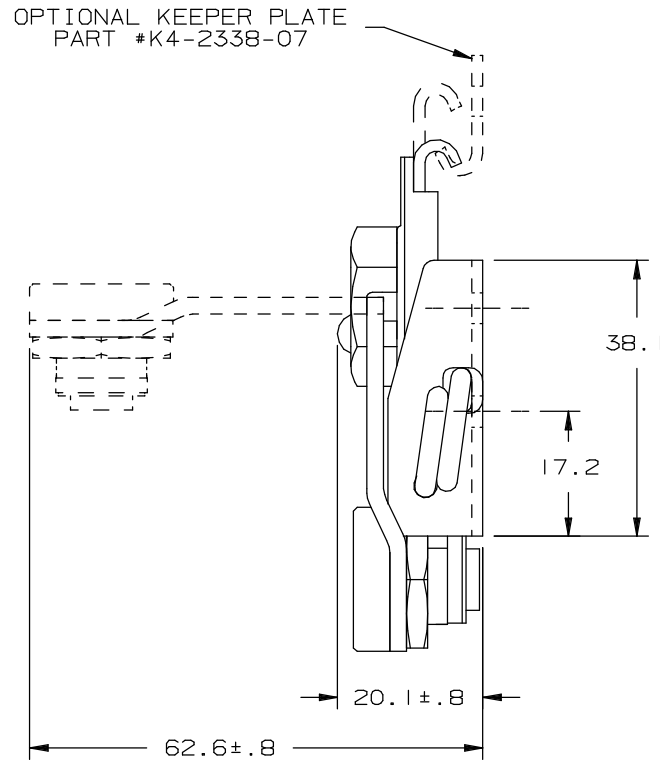
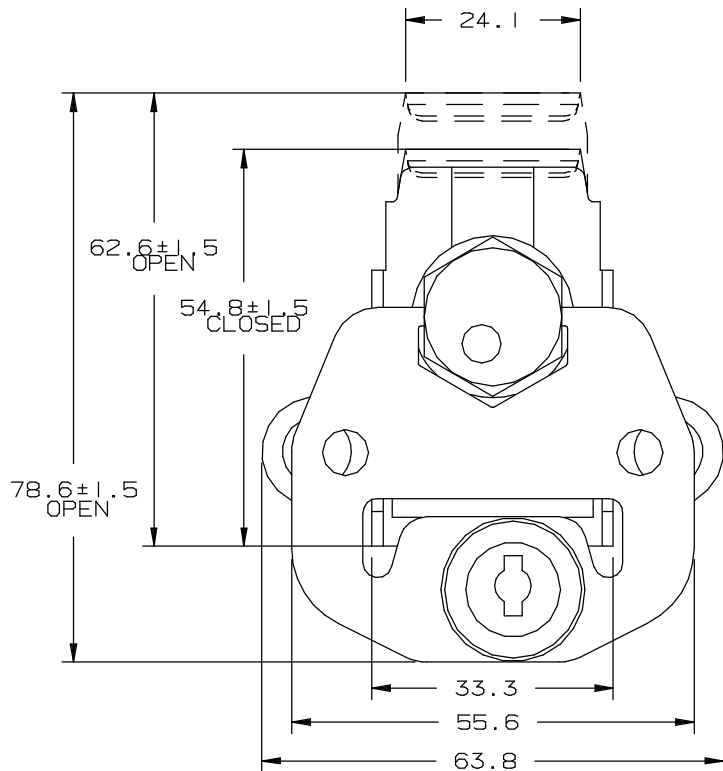




KEY LOCKABLE, SPRING LOADED  
# 2.5 HEX CAM LINK LOCK

DATE	DRAWN	CHKD	SCALE	DRAWING NUMBER
08FEB96	RJB		1 : 1	J-K4-2833-M

REV.	DATE	BY-CHKD	REVISIONS	PART NUMBER	MATERIAL	FINISH
A	09JUN98	MMM	PRN: K4-64	K4-2833-07	SEE NOTE A	SEE NOTE A
B	27JUL2018	DKM	PRN:P2018-1783	K4-2833-86	SEE NOTE B	SEE NOTE B



NOTE A: MATERIAL & FINISH  
ANCHOR PLATE, WING, HOUSING AND LOWER CAM ARE CARBON STEEL; ZINC PLATE, BRIGHT CHROMATE DIP  
SLIDE IS HARDENED ALLOY STEEL; ZINC PLATE, BRIGHT CHROMATE DIP  
UPPER CAM IS POWDER METAL; ZINC PLATE, BRIGHT CHROMATE DIP  
ANCHOR PLATE SPRINGS ARE MUSIC WIRE; ZINC PLATE, BRIGHT CHROMATE DIP  
CAM RIVET AND CAM SPRING ARE STAINLESS STEEL.  
LOCK CYLINDER AND LOCK PLUG ARE DIE CAST ZINC; CHROME PLATE  
LOCKING LEVER IS CARBON STEEL; ZINC PLATE YELLOW  
MOUNTING NUT IS BRASS; NATURAL

NOTE B: MATERIAL & FINISH  
ANCHOR PLATE, WING, HOUSING AND LOWER CAM ARE CARBON STEEL; ZINC ALLOY PLATE, BLACK CHROMATE PLUS CHROMATE SEALER  
SLIDE IS HARDENED ALLOY STEEL; ZINC ALLOY PLATE, BLACK CHROMATE PLUS CHROMATE SEALER  
UPPER CAM IS POWDER METAL; ZINC ALLOY PLATE, BLACK CHROMATE PLUS CHROMATE SEALER  
ANCHOR PLATE SPRINGS ARE MUSIC WIRE; ZINC ALLOY PLATE, BLACK CHROMATE PLUS CHROMATE SEALER  
CAM RIVET IS STAINLESS STEEL; NATURAL  
CAM RIVET IS STAINLESS STEEL; BLACK OXIDE  
LOCK CYLINDER AND LOCK PLUG ARE DIE CAST ZINC; BLACK POWDER COAT  
LOCKING LEVER IS CARBON STEEL; ZINC PLATE YELLOW  
MOUNTING NUT IS BRASS; NATURAL

NOTE C: TWO KEYS INCLUDED WITH EACH LATCH.

FORMAT A | MAR 94

PROPRIETARY ITEM - EXCEPT FOR USES EXPRESSLY GRANTED IN WRITING INFORMATION DISCLOSED HEREON IS CONFIDENTIAL AND ALL RIGHTS PATENT AND OTHERWISE ARE RESERVED BY SOUTHCO, INC.

DIMENSIONS IN MILLIMETERS  
THIRD ANGLE PROJECTION

DIMENSIONS WITHOUT TOLERANCES  
ARE FOR REFERENCE ONLY

DRAWING NUMBER

J-K4-2833-M