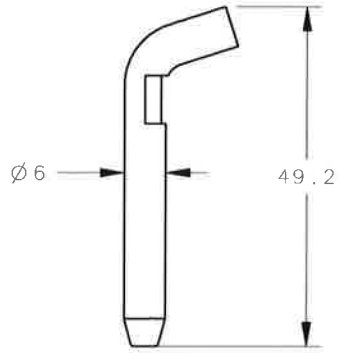
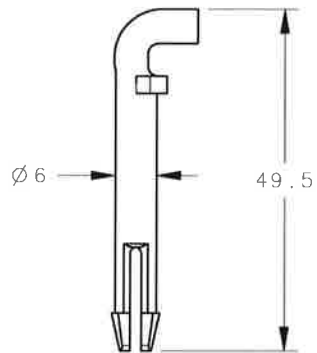


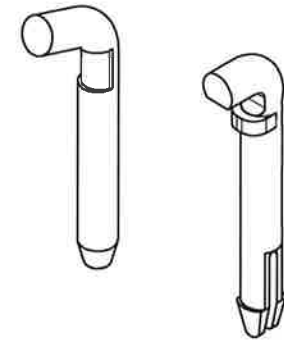
REVISION HISTORY			
REV	DATE	BY	DESCRIPTION
D	12MAR2019	CMS/HC	PRN: P2019-0530



PART NUMBER: KH-G




PART NUMBER: KH-P



SCALE 1:1

NOTES/NOTAS:

- A. COSMETIC SPECIFICATION:
ALL SURFACES ARE TO CONFORM TO A CLASS "B" DESIGNATION AS DESCRIBED IN SOUTHCO COSMETIC SPECIFICATIONS.
S-121-01 FOR CHROME PLATING PRODUCTS.
S-121-04 FOR PLASTIC PRODUCTS.
- B. PACKAGING: BULK PACKAGED.

KH-P	PLASTIC	WHITE		
KH-G	STEEL	CHROME PLATED		
PART NUMBER	MATERIAL	FINISH		
THIRD ANGLE PROJECTION				
MILLIMETERS [IN]				
TOLERANCES UNLESS OTHERWISE NOTED	DESCRIPTION			
UP TO 0.5 ±0.05	<p style="text-align: center;">southco[®]</p> <p style="text-align: center;">CONNECT · CREATE · INNOVATE</p> <p style="text-align: center;">KH CORNER HINGE - PINS</p>			
OVER 0.5 UP TO 6 ±0.1				
OVER 6 UP TO 30 ±0.2				
OVER 30 ±0.3				
ANGLES ±1°				
PROPRIETARY ITEM	SIZE	SYSTEM	DWG NO.	
EXCEPT FOR USES EXPRESSLY GRANTED IN WRITING, INFORMATION DISCLOSED HEREON IS CONFIDENTIAL AND ALL RIGHTS, PATENT AND OTHERWISE, ARE RESERVED BY SOUTHCO, INC.	A4	NX	J-KH-PIN	
PER ASME Y14.5M-1994	DRAWN BY	DATE	SCALE	SHEET
	DLH	09MAY2005	1:1	1 OF 1



22 September 2017

PRODUCT DISCONTINUATION NOTIFICATION

Dear Valued Southco Customer:

At Southco, we continually strive to add value by delivering high quality and innovative access hardware solutions. With this objective in mind, we would like to inform you of a recent change that may affect you.

Effective October 31st 2017, we will be discontinuing the following KH – Corner Door Removal Hinge items listed below. Should you require an alternative part as a replacement, please contact our Customer Service Department at info@southco.com.

KH-22-T1-20
KH-41-T2-38
KH-41-T2-50
KH-42-T2-38
KH-42-T2-50
KH-62-V1-38
KH-62-V1-50
KH-C

Multiple factors have led us to this decision, and we sincerely apologize for any inconvenience this may cause. We will honor orders for these parts if placed before October 31st 2017. Please utilize this time to place a final buy for these parts.

If you have any questions, or you would like to explore alternate solutions from Southco, please contact eService (info@southco.com) or your local Southco Customer Service Representative.

We regret any impact this may have on your business, and thank you for your business and continued support.

Sincerely,

Todd Schwanger
Product Manager
Southco, Inc.

Southco, Inc. P. O. Box 0116 210 N. Brinton Lake Road Concordville PA 19331-0116 USA
Phone +1 610 459 4000 Fax: +1 610 459 4012 info@southco.com www.southco.com