

# southco®

PROPRIETARY ITEM - EXCEPT FOR USES EXPRESSLY GRANTED IN WRITING INFORMATION DISCLOSED HEREON IS CONFIDENTIAL AND ALL RIGHTS PATENT AND OTHERWISE ARE RESERVED BY SOUTHCO, INC.

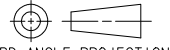
No. 56 SPRING LOADED PLUNGER ASSEMBLY, PRESS-IN STYLE, WITH LARGE OVERMOLDED KNOB AND WITHOUT STAY-OPEN FEATURE

DATE	DRAWN	CHKD	SCALE	DRAWING NUMBER
15JAN2003	VNI	DLH	2:1	J-56-260

REV	DATE	DRAWN/CHKD	DESCRIPTION	PART NUMBER	KNOB COLOR
A	06FEB2003	RLR/CHW	PRN: P2003-0099	56-260-EEE	SEE NOTE G
B	10APR2003	VNI/MJS	PRN: P2003-0283		
C	08MAY2003	DLH/VNI	PRN: P2003-0348		
D	28MAY2003	DLH/AJH	PRN: P2003-0426		
E	24JUN2003	AJH/MJS	PRN: P2003-0532		
F	23JUL2003	DLH/AJH	PRN: P2003-0611		
G	22DEC2004	VNI/AJH	PRN: P2004-1471		
H	06JUN2012	CMS/CDW	PRN: P2012-0742		

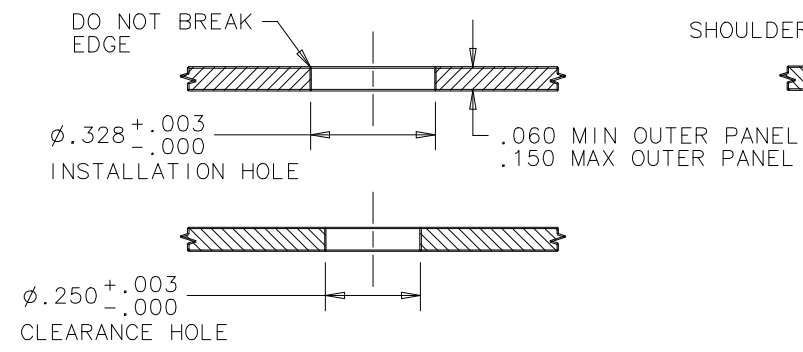
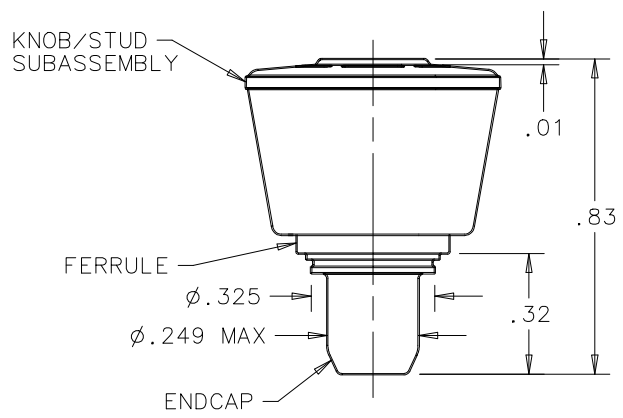
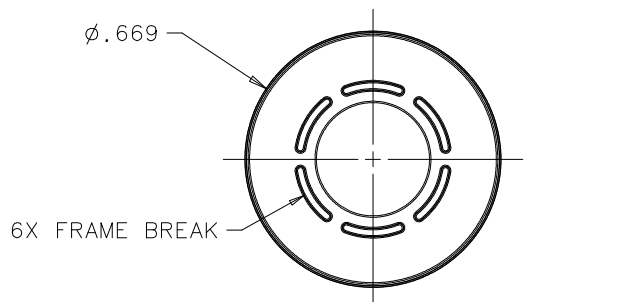
**INCHES**

ALL DIMENSIONS WITHOUT TOLERANCES ARE FOR REFERENCE ONLY.

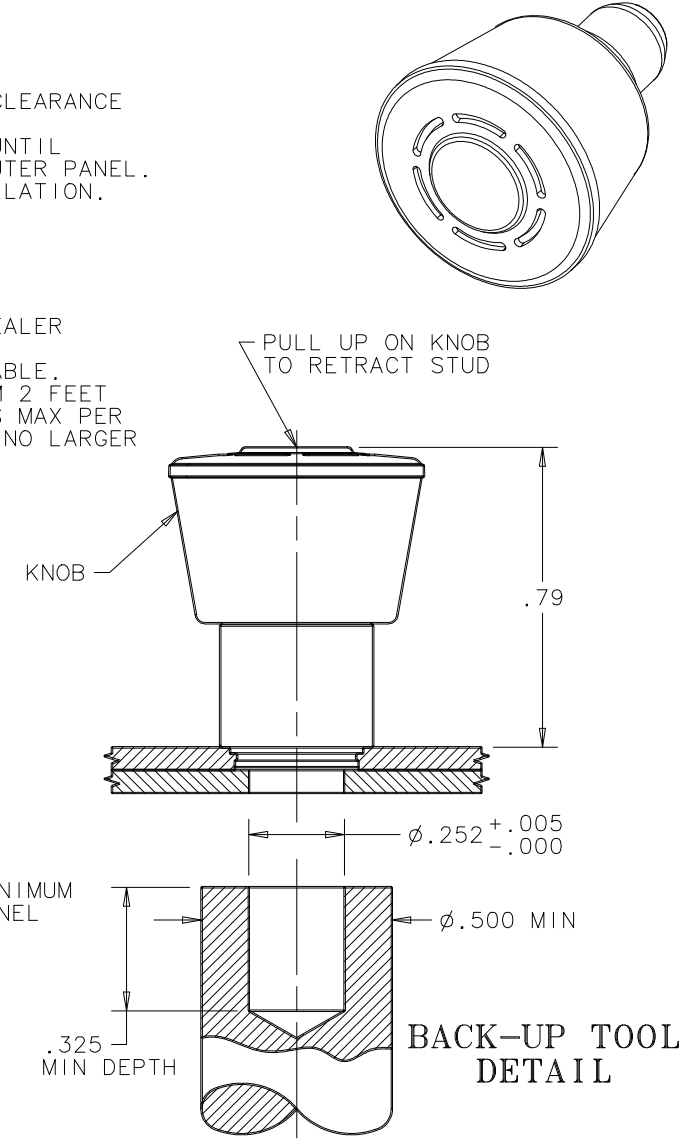
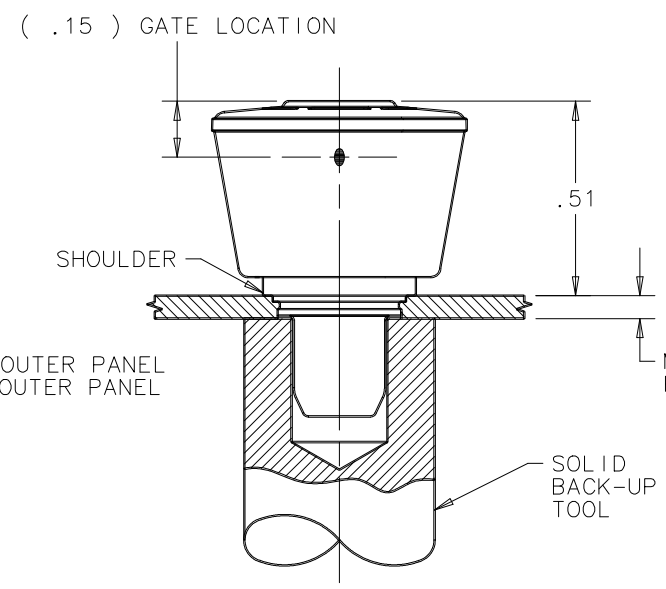


THIRD ANGLE PROJECTION

**A**  
PAPER SIZE



- NOTES:
- INSTALLATION INSTRUCTIONS:
    - DRILL OR PUNCH INSTALLATION HOLE.
    - PLACE FERRULE INTO INSTALLATION HOLE.
    - PROVIDE SOLID BACK-UP BEHIND HOLE WITH CLEARANCE HOLE FOR STUD.
    - PRESS ON HEAD OF KNOB/STUD SUBASSEMBLY UNTIL SHOULDER OF FERRULE IS FIRMLY AGAINST OUTER PANEL.
    - PUNCH CANNOT TOUCH PLASTIC DURING INSTALLATION.
  - MATERIAL AND FINISH:
    - ENDCAP - STEEL, ZINC PLATE PLUS SEALER
    - SPRING - STAINLESS STEEL, PASSIVATED
    - FERRULE - STEEL, ZINC PLATE PLUS SEALER
    - KNOB - PC/ABS, BLACK
    - STUD - HARDENED STEEL, ZINC PLATE PLUS SEALER
  - GATE NOT ORIENTED WITH FRAME BREAK.
  - FLASH HEIGHT GREATER THAN .012 NOT ACCEPTABLE.
  - SURFACE IMPERFECTIONS: INSPECT PARTS FROM 2 FEET FOR 3 SECONDS. FOUR SURFACE IMPERFECTIONS MAX PER PART ALLOWED. SURFACE IMPERFECTIONS TO BE NO LARGER THAN .045 IN DIAMETER, HEIGHT, OR WIDTH.
  - PARTS SHIPPED BULK.
  - FOR "EEE" KNOB COLOR, SEE J-47-0-3.



## PANEL PREPARATION