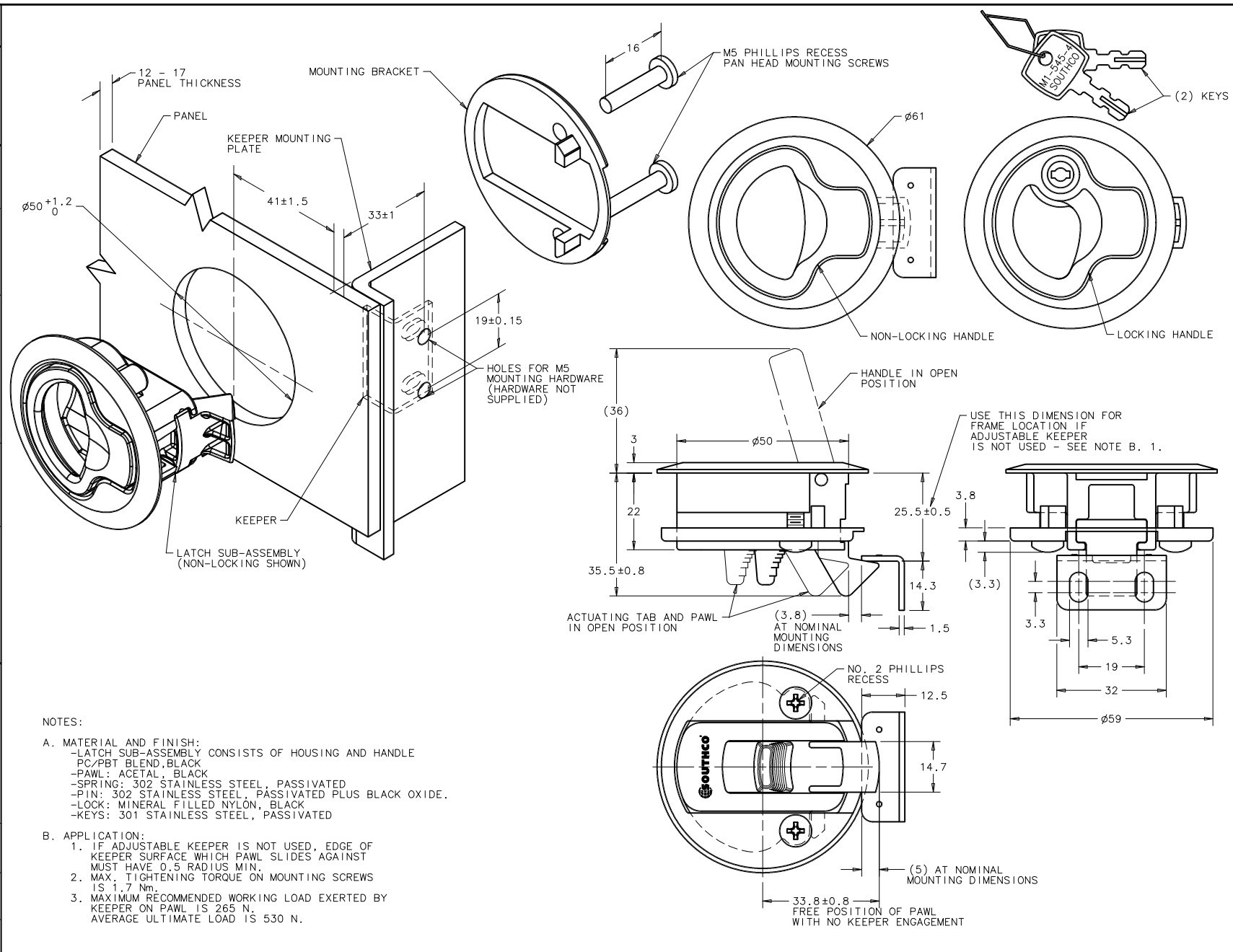


DRAWING NUMBER <b>J-M1-63</b>		CHD SCALE <b>1 : 1</b>		REMARKS LOCKABLE NON-LOCKING		MILLIMETER		DIMENSIONAL TOLERANCES UNLESS OTHERWISE NOTED +0.25		A3 PAPER SIZE	
DATE 31AUG92 JOK		DRAWN		FINISH		MATERIAL		SEE NOTE A		THIRD ANGLE PROJECTION	
SOUTHCO FLUSH-PULL™ LATCH METRIC ASSEMBLY		PART NUMBER M1-63		ITEM ASSEMBLY		MATERIAL		SEE NOTE A		THIRD ANGLE PROJECTION	
REV. DATE		DRAWN		ITEM		MATERIAL		SEE NOTE A		THIRD ANGLE PROJECTION	
G 10DEC2002		BLR/DJLH		PRN: P2002-09.35		LATCH SUB-ASSEMBLY		PC/PBT BLEND, BLACK		THIRD ANGLE PROJECTION	
H 19APR2004		INDY/AJH		PRN: P2004-0402		MOUNTING BRACKET		304 STAINLESS STEEL, PASSIVATED		THIRD ANGLE PROJECTION	
						KEEPER		300 SERIES STAINLESS STEEL		THIRD ANGLE PROJECTION	
						MOUNTING SCREWS (2)				THIRD ANGLE PROJECTION	



**NOTES:**

- A. MATERIAL AND FINISH:**  
 - LATCH SUB-ASSEMBLY CONSISTS OF HOUSING AND HANDLE  
 - PC/PBT BLEND, BLACK  
 - PAWL: ACETAL, BLACK  
 - SPRING: 302 STAINLESS STEEL, PASSIVATED  
 - PIN: 302 STAINLESS STEEL, PASSIVATED PLUS BLACK OXIDE.  
 - LOCK: MINERAL FILLED NYLON, BLACK  
 - KEYS: 301 STAINLESS STEEL, PASSIVATED

- B. APPLICATION:**  
 1. IF ADJUSTABLE KEYPER IS NOT USED, EDGE OF KEYPER SURFACE WHICH PAWL SLIDES AGAINST MUST HAVE 0.5 RADIUS MIN.  
 2. MAX. TIGHTENING TORQUE ON MOUNTING SCREWS IS 1.7 Nm.  
 3. MAXIMUM RECOMMENDED WORKING LOAD EXERTED BY KEYPER ON PAWL IS 265 N. AVERAGE ULTIMATE LOAD IS 530 N.