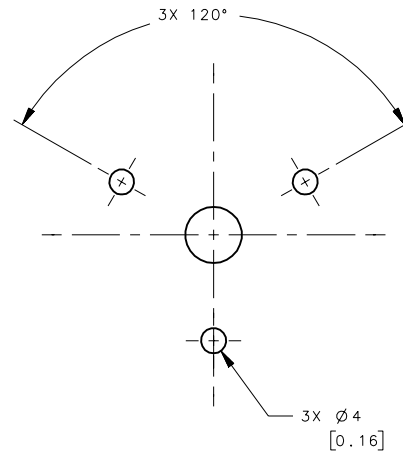
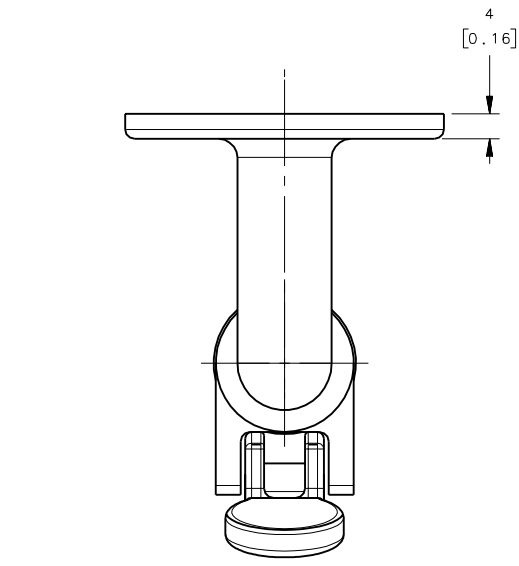
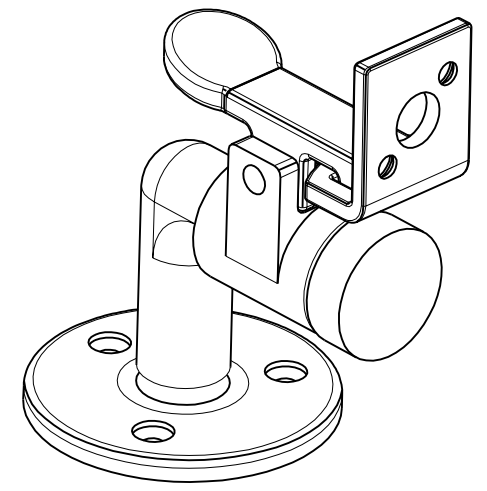
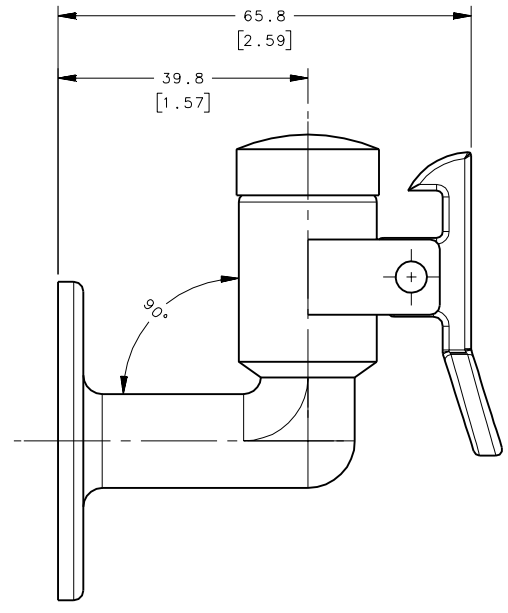
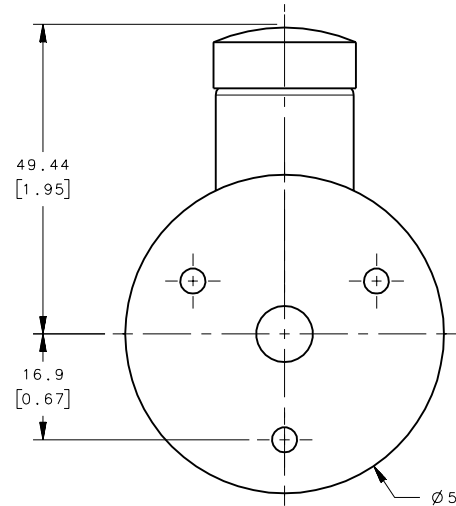


REVISION HISTORY			
REV	DATE	BY	DESCRIPTION
A	08JAN2009	RLR	PRN: P2008-1332



PANEL PREPARATION

NOTES:

A. MATERIAL AND FINISH:

- BUMPER - RUBBER
- SPRING - 304 STAINLESS STEEL, PASSIVATED.
- STRIKER, PAWL AND BASE - CF-8M STAINLESS STEEL (NOMINAL CAST EQUIVALENT OF 316 STAINLESS STEEL), POLISHED.

M5-10-263-8				ASSEMBLY	SEE NOTE A	SEE NOTE A	
SOUTHCO PART NUMBER				TYPE OF COMPONENT	MATERIAL	FINISH	
THIRD ANGLE PROJECTION		MILLIMETERS [IN]		<b>southco</b> CONNECT · CREATE · INNOVATE DESCRIPTION DOOR STOP CATCH 90°			
SURFACE AREA		TOLERANCES UNLESS OTHERWISE NOTED					
VOLUME		ALL DIMENSIONS WITHOUT TOLERANCES ARE FOR REFERENCE ONLY.		SIZE	SYSTEM	DWG NO.	
PROPRIETARY ITEM		PER ASME Y14.5M-1994		A3	NX	J-M5-10-263	
EXCEPT FOR USES EXPRESSLY GRANTED IN WRITING, INFORMATION DISCLOSED HEREON IS CONFIDENTIAL AND UNDISCLOSED RIGHTS, PATENT AND OTHERWISE ARE RESERVED BY SOUTHCO, INC.				DRAWN BY	DATE	SCALE	SHEET
				RLR	08JAN2009	1:1	1 OF 1