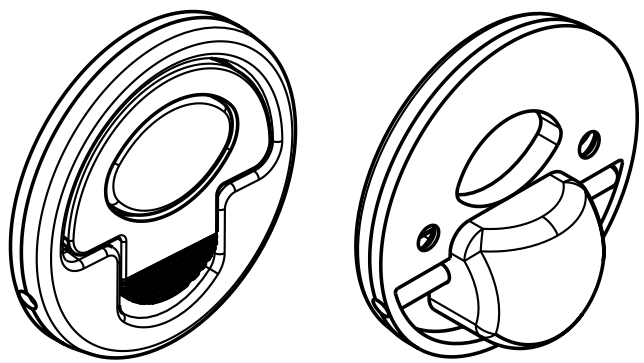
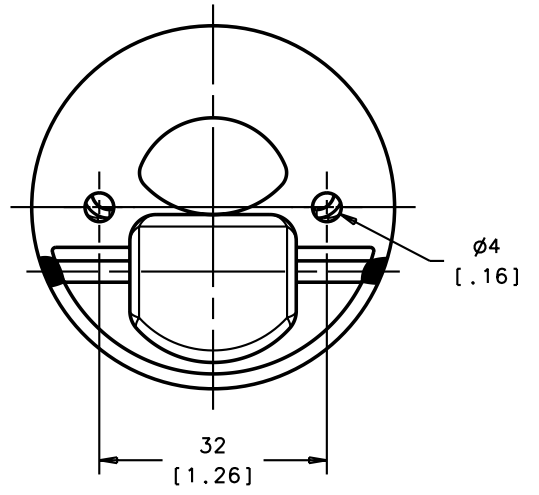
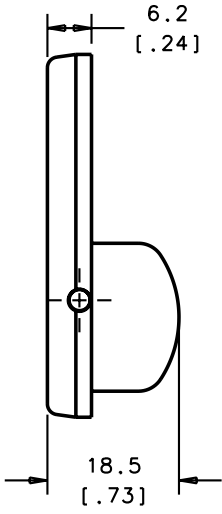
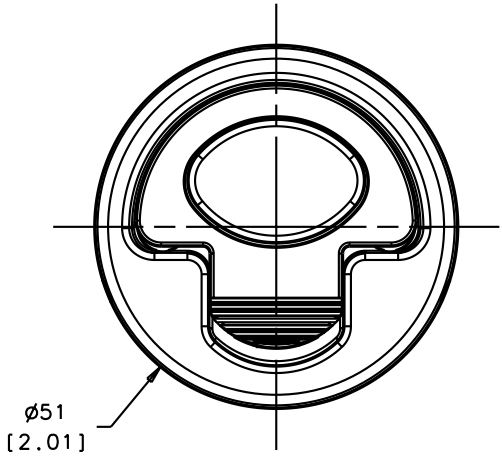


PROPRIETARY ITEM
 EXCEPT FOR USES EXPRESSLY GRANTED
 IN WRITING, INFORMATION DISCLOSED
 HEREON IS CONFIDENTIAL AND ALL
 RIGHTS, PATENT AND OTHERWISE,
 ARE RESERVED BY SOUTHCO, INC.

REVISION HISTORY				
REV	DATE	DRAWN	CHECKED	DESCRIPTION



NOTES:

A. MATERIAL AND FINISH:

HANDLE AND HOUSING - CF-8M STAINLESS STEEL (NOMINAL CAST EQUIVALENT OF 316 STAINLESS STEEL), POLISHED.

PIN AND SPRING - 304 STAINLESS STEEL, PASSIVATED.

ASSEMBLY	M5-10-401-8	SEE NOTE A	SEE NOTE A	
ITEM	PART NUMBER	MATERIAL	FINISH	
THIRD ANGLE PROJECTION		 CONNECT · CREATE · INNOVATE		
ALL DIMENSIONS WITHOUT TOLERANCES ARE FOR REFERENCE ONLY.				
MILLIMETERS [IN]		SIZE	SYSTEM	DWG NO
		A4	I-DEAS	J-M5-10-401
		DRWN/CHKD	DATE	SCALE
		VMV/VGV	09JAN2008	1:1
		SHEET		1 OF 1