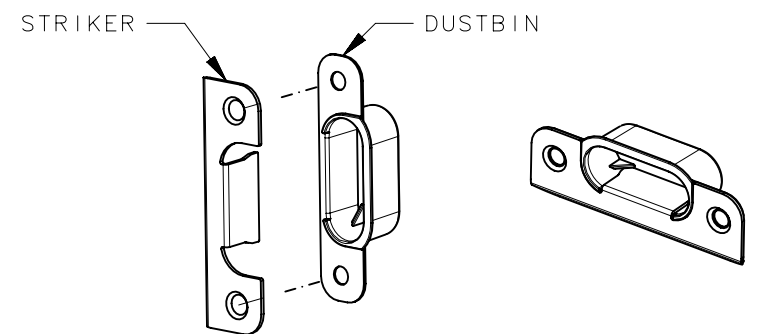
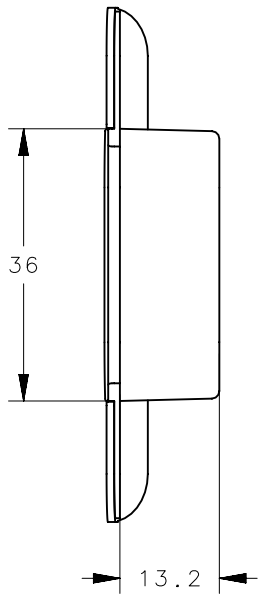


SECTION A-A

REVISION HISTORY			
REV	DATE	BY	DESCRIPTION
B	08MAY2018	CMS/MWD	PRN: P2018-0464



SCALE 1:2



MC-90-221-24	STRIKER WITH DUSTBIN	21	STAINLESS STEEL	-
MC-90-216-24	STRIKER WITH DUSTBIN	16	STAINLESS STEEL	-
MC-90-213-24	STRIKER WITH DUSTBIN	13	STAINLESS STEEL	-
MC-90-209-24	STRIKER WITH DUSTBIN	9	STAINLESS STEEL	-
MC-90-207-24	STRIKER WITH DUSTBIN	7	STAINLESS STEEL	-
MC-90-205-24	STRIKER WITH DUSTBIN	5	STAINLESS STEEL	-
MC-90-203-24	STRIKER WITH DUSTBIN	3	STAINLESS STEEL	-
MC-90-221-10	STRIKER WITH DUSTBIN	21	BRASS	NICKEL PLATED
MC-90-216-10	STRIKER WITH DUSTBIN	16	BRASS	NICKEL PLATED
MC-90-213-10	STRIKER WITH DUSTBIN	13	BRASS	NICKEL PLATED
MC-90-209-10	STRIKER WITH DUSTBIN	9	BRASS	NICKEL PLATED
MC-90-207-10	STRIKER WITH DUSTBIN	7	BRASS	NICKEL PLATED
MC-90-205-10	STRIKER WITH DUSTBIN	5	BRASS	NICKEL PLATED
MC-90-203-10	STRIKER WITH DUSTBIN	3	BRASS	NICKEL PLATED
SOUTHCO PART NUMBER	TYPE OF COMPONENT	"L"	MATERIAL	FINISH

THIRD ANGLE PROJECTION		 CONNECT • CREATE • INNOVATE	
MILLIMETERS [IN]			
TOLERANCES UNLESS OTHERWISE NOTED		DESCRIPTION	
ALL DIMENSIONS WITHOUT TOLERANCES ARE FOR REFERENCE ONLY.		STRIKER WITH DUSTBIN - McCoy STAR	
PROPRIETARY ITEM		SIZE	DWG NO.
EXCEPT FOR USES EXPRESSLY GRANTED IN WRITING, INFORMATION DISCLOSED HEREON IS CONFIDENTIAL AND ALL RIGHTS, PATENT AND OTHERWISE, ARE RESERVED BY SOUTHCO, INC.		A4	NX J-MC-90-2
PER ASME Y14.5M-1994		DRAWN BY	DATE
		VK/YGC	05JUN2015
		SCALE	SHEET
		1:1	1 OF 1