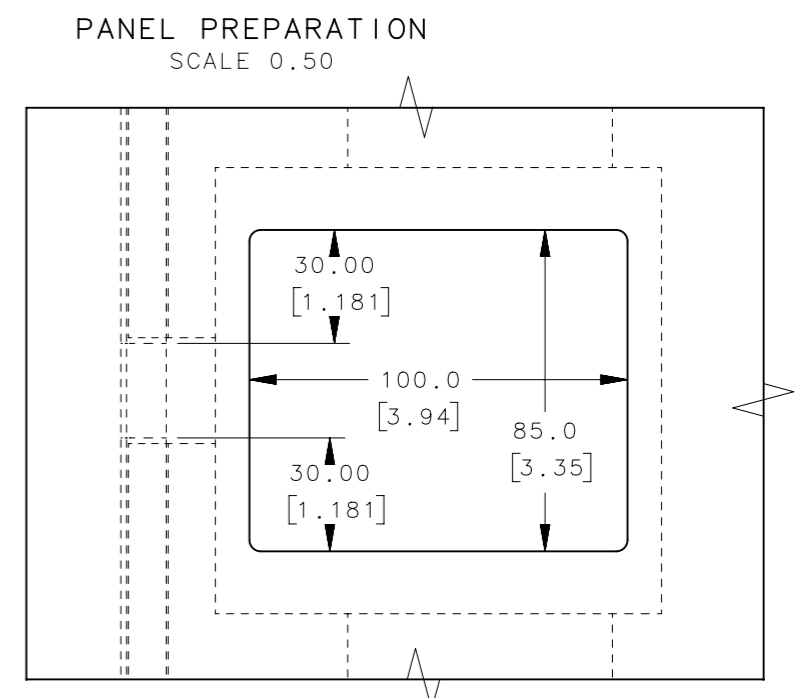
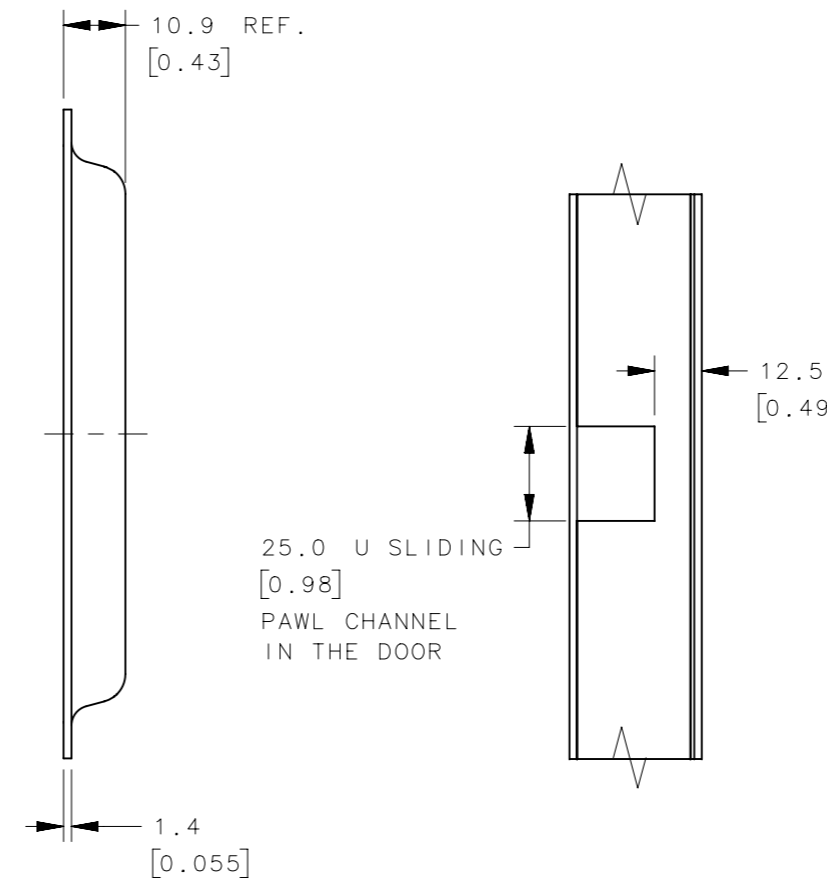
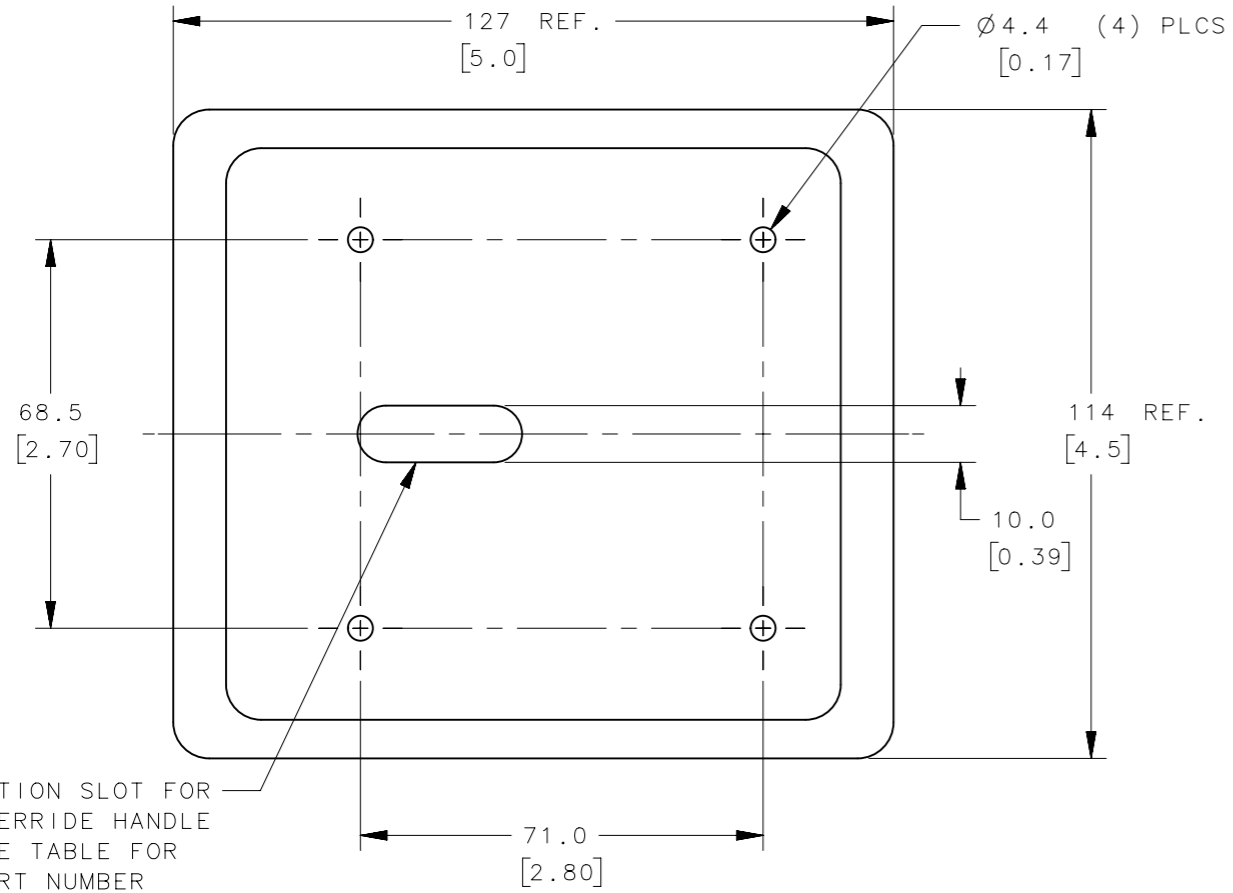


STANDARD MOUNTING BRACKET, SEE TABLE FOR PART NUMBER.

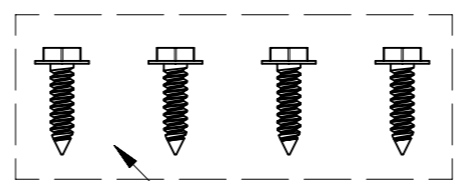
REVISION HISTORY			
REV	DATE	BY	DESCRIPTION
D	30MAY2022	CRM/DMS	PRN: P2022-1028



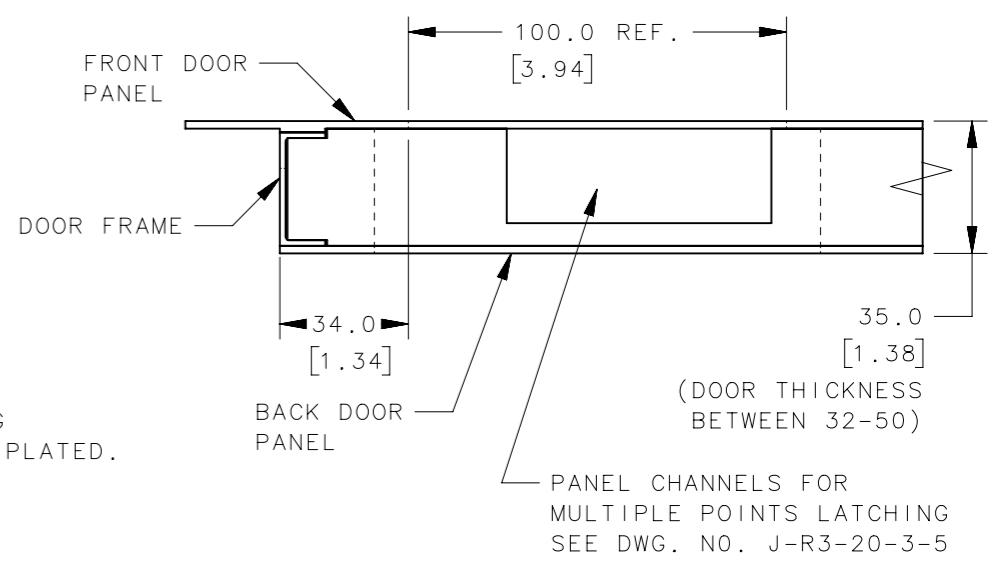
DOOR THICKNESS inch(mm)	#8 SELF-TAPPING SCREW P/N BY LENGTH-inch(mm)
1-1/4" (32mm)	5/8" (16mm) PART NO. R3-23-250-01
1-1/4" (32)- 1-1/2" (38mm)	3/4" (19mm) PART NO. R3-23-250-01
1-1/2" (38mm)- 1-3/4" (44mm)	1" (25.4mm) PART NO. R3-23-250-03
1-3/4" (44mm)- 2.00" (50mm)	1-1/4" (32mm) PART NO. R3-23-250-04

SCREW MAX. TIGHTENING TORQUE 2.8Nm (25 lbf-in)

SCREWS ARE ZINC PLATED, ORDERED SEPARATELY AND SHIPPED IN BULK.



HARDWARE: 4 SELF-TAPPING SCREW PER BRACKET, ZINC PLATED. SEE TABLE FOR PART NO.



- NOTES:
- MATERIAL AND FINISH: MOUNTING BRACKET IS STEEL (SHEET METAL), ZINC PLATED.
 - STANDARD MOUNTING BRACKET PART NO. R3-23-160-11 AND HARDWARE ARE ORDERED SEPERATELY. SEE PANEL PREPARATION DETAILS AND TABLE FOR HARDWARE (SELF TAPPING SCREWS).
 - INSTALLATION INSTRUCTIONS: PREPARE THE RECTANGULAR HOLE IN THE DOOR PANEL AS DESCRIBED IN THIS DRAWING, FOR THE STANDARD MOUNTING BRACKET SEE TABLE FOR PART NUMBER. INSERT THE BAGGAGE DOOR LATCH (BDL) HOUSING ASSEMBLY THROUGH THE FRONT PANEL OPENING, PLACE THE MOUNTING BRACKET ON THE BACK DOOR PANEL AND SECURE BOTH PARTS ON THE DOOR PANEL USING FOUR (4) #8 SELF-TAPPING SCREWS. MAKE SURE THE PAWL HOUSING IS SEATED IN THE U SHAPED CHANNEL. ADJUST THE FRONT PAWL HOUSING EDGE OF THE HOUSING AT THE SAME LEVEL/HEIGHT WITH DOOR FRAME OPENING SURFACE AND TIGHTEN THE SCREW. MAKE SURE THE BDL IS VERTICAL OR HORIZONTAL ALLIGNED. MAXIMUM RECOMMENDED TIGHTENING TORQUE ON MOUNTING SCREWS IS 2.8 Nm (25 IN LBS).
 - USING THE STANDARD BRACKET SHOWN, THE R3 BDL IS SUITABLE FOR DOOR THICKNESS BETWEEN 32-50mm (1.25-2.00 INCHES). THE LENGTH OF THE SELF-TAPPING MOUNTING SCREWS MAY NEED TO BE ADJUSTED FOR DIFFERENT DOOR THICKNESS, SEE TABLE FOR DETAILS.
 - A NON COLAPSING FRAME REINFORCEMENT SHALL BE BUILT IN THE DOOR AROUND THE BDL MOUNTING HOLE, OTHERWISE A DIMPLE ON THE FRONT PANEL DOOR WILL BE CREATED WHEN THE MOUNTING SCREWS ARE TIGHTENED.

R3-23-160-11-02	WITH SLOT	SEE NOTE 1	SEE NOTE 1
R3-23-160-11-01	NO SLOT	SEE NOTE 1	SEE NOTE 1
PART NUMBER	EGRESS SLOT 10X29	MATERIAL	FINISH
THIRD ANGLE PROJECTION			
MILLIMETERS [IN]			
TOLERANCES UNLESS OTHERWISE NOTED		DESCRIPTION	
ALL DIMENSIONS WITHOUT TOLERANCES ARE FOR REFERENCE ONLY.		STANDARD MOUNTING BRACKET, R3-DBL	
PROPRIETARY ITEM EXCEPT FOR USES EXPRESSLY GRANTED IN WRITING, INFORMATION DISCLOSED HEREON IS CONFIDENTIAL AND ALL RIGHTS, PATENT AND OTHERWISE, ARE RESERVED BY SOUTHCO, INC.	PER ASME Y14.5M-1994	SIZE A3 SYSTEM NX	DWG NO. J-R3-20-3-2
		DRAWN BY E.VULCU	DATE 05AUG2006
		SCALE 3:4	SHEET 1 OF 1