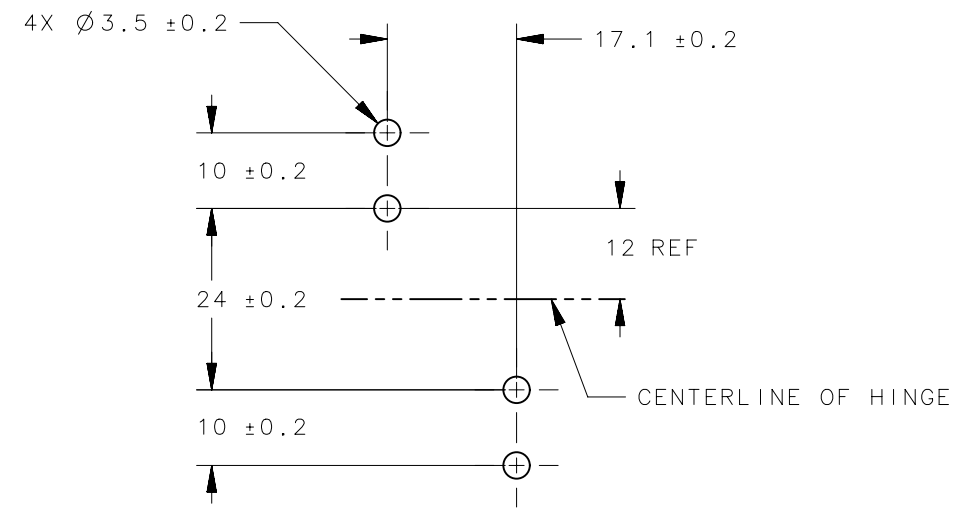
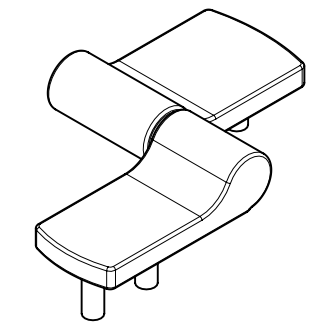


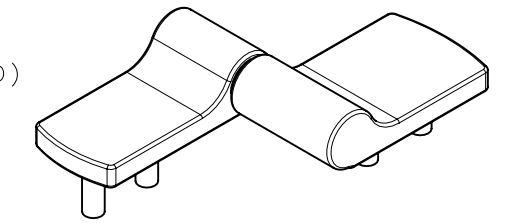
REVISION HISTORY			
REV	DATE	BY	DESCRIPTION
C	09NOV2012	MJS/JT	PRN: P2012-1325



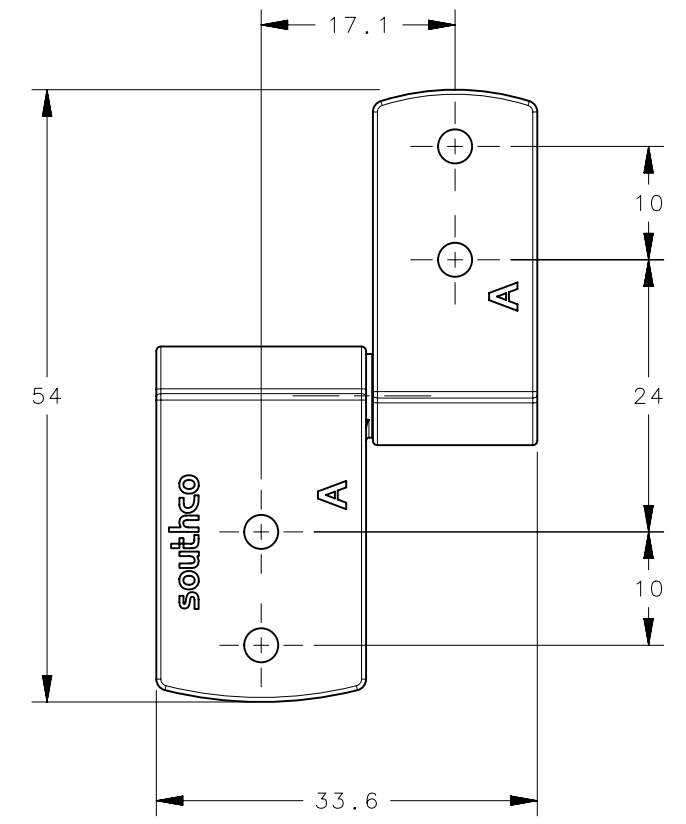
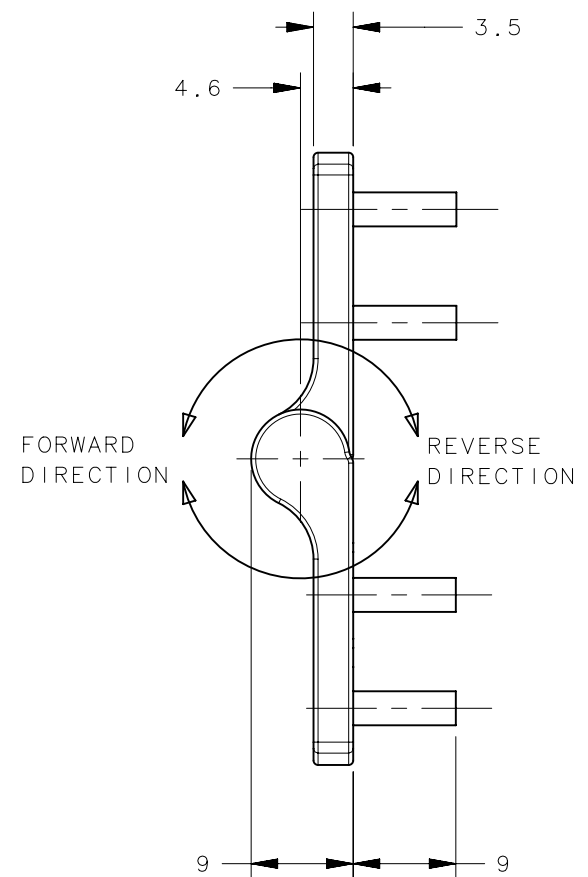
PANEL LAYOUT



TYPE A
(SHOWN DIMENSIONED)
SCALE 1:1



TYPE B
SCALE 1:1



- NOTES:
- PERFORMANCE TORQUE TOLERANCE $\pm 20\%$
 - MATERIAL AND FINISH:
HINGE BODY: ZINC ALLOY, SEE TABLE FOR FINISH
INTERNAL COMPONENTS: HARDENED STEEL
 - TO PROPERLY FUNCTION, TYPE A AND TYPE B HAVE TO BE USED TOGETHER
 - STUDS ARE M3 X 0.5 THREAD
 - CYCLE LIFE TO BE 20,000 CYCLES WITH LESS THAN 20% TORQUE CHANGE FROM MANUFACTURED VALUE

PART NUMBER		STATIC TORQUE $\pm 20\%$	
		FORWARD TORQUE N-m (in-lbf)	REVERSE TORQUE N-m (in-lbf)
ST-8A1-40SA-[XX]	ST-8A1-40SB-[XX]	0.45 (4.0)	0.45 (4.0)
ST-8A1-60SA-[XX]	ST-8A1-60SB-[XX]	0.68 (6.0)	0.68 (6.0)
ST-8A1-80SA-[XX]	ST-8A1-80SB-[XX]	0.90 (8.0)	0.90 (8.0)
ST-8A1-40FA-[XX]	ST-8A1-40FB-[XX]	0.45 (4.0)	0.27 (2.4)
ST-8A1-60FA-[XX]	ST-8A1-60FB-[XX]	0.68 (6.0)	0.41 (3.6)
ST-8A1-80FA-[XX]	ST-8A1-80FB-[XX]	0.90 (8.0)	0.54 (4.8)
ST-8A1-100FA-[XX]	ST-8A1-100FB-[XX]	1.13 (10.0)	0.68 (6.0)
ST-8A1-40RA-[XX]	ST-8A1-40RB-[XX]	0.27 (2.4)	0.45 (4.0)
ST-8A1-60RA-[XX]	ST-8A1-60RB-[XX]	0.41 (3.6)	0.68 (6.0)
ST-8A1-80RA-[XX]	ST-8A1-80RB-[XX]	0.54 (4.8)	0.90 (8.0)
ST-8A1-100RA-[XX]	ST-8A1-100RB-[XX]	0.68 (6.0)	1.13 (10.0)

THIRD ANGLE PROJECTION		
MILLIMETERS [IN]		
SURFACE AREA	DESCRIPTION HINGE ASSEMBLY, CAST STUDS	
VOLUME	ALL DIMENSIONS WITHOUT TOLERANCES ARE FOR REFERENCE ONLY.	SIZE B
PROPRIETARY ITEM	PER ASME Y14.5M-1994	SYSTEM NX
EXCEPT FOR USES EXPRESSLY GRANTED IN WRITING, INFORMATION DISCLOSED HEREON IS CONFIDENTIAL AND ALL RIGHTS, PATENT AND OTHERWISE, ARE RESERVED BY SOUTHCO, INC.	DATE 21APR08	DWG NO. J-ST-8A1
	SCALE 1.5:1	SHEET 1 OF 1