

6

5

4

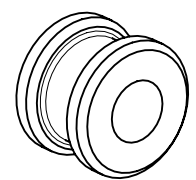
3

2

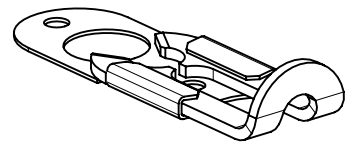
1

REVISION HISTORY			
REV	DATE	BY	DESCRIPTION
F	10JUN2017	NBK/YGC	PRN: P2017-1376

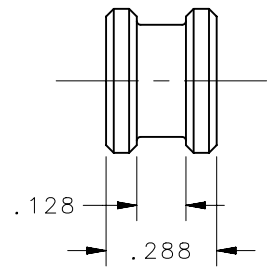
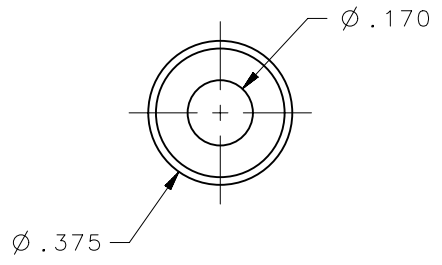
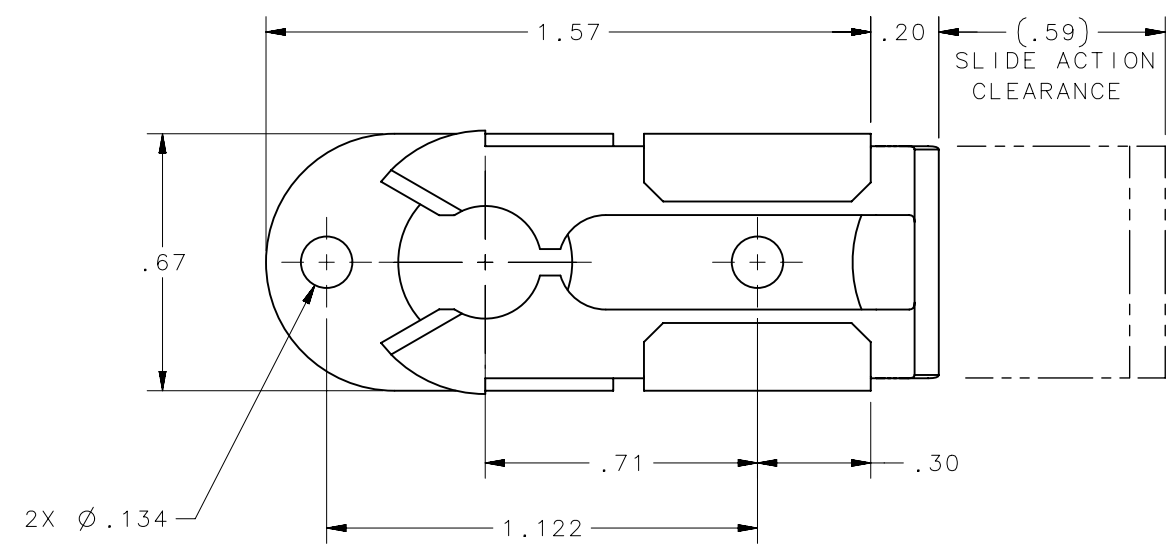
TO BE USED WITH



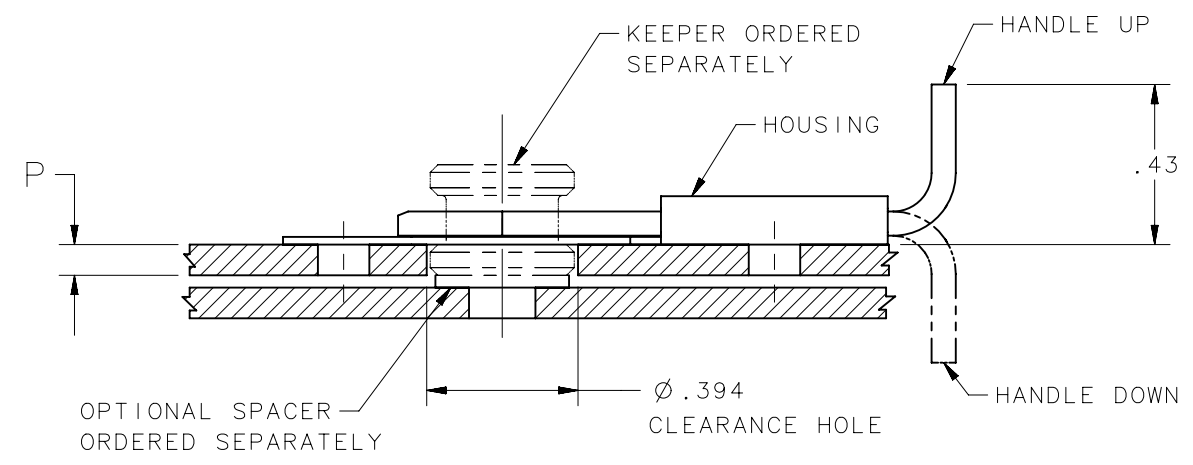
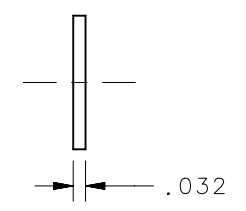
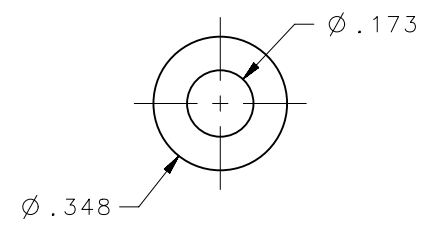
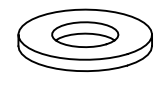
KEEPER
(ORDERED SEPARATELY)
PART NO. TL-05-117-07/52



SCALE 1:1



STEEL SPACER
(ORDERED SEPARATELY)
OPTIONAL
PART NO. TL-05-114-07



PANEL THICKNESS "P"	REQUIRED NUMBER OF SPACERS
.046 - .080	0
.081 - .128	1
.129 - .160	2

NOTE:
1. RoHS COMPLIANT.

TL-05-110-55	TL SLIDE LATCH ASSEMBLY	STAINLESS STEEL	BLACK OXIDE	DOWN
TL-05-110-52	TL SLIDE LATCH ASSEMBLY	STAINLESS STEEL	PASSIVATE	DOWN
TL-05-110-07	TL SLIDE LATCH ASSEMBLY	STEEL	ZINC PLATE, TRIVALENT CHROMATE	DOWN
TL-05-100-55	TL SLIDE LATCH ASSEMBLY	STAINLESS STEEL	BLACK OXIDE	UP
TL-05-100-52	TL SLIDE LATCH ASSEMBLY	STAINLESS STEEL	PASSIVATE	UP
TL-05-100-07	TL SLIDE LATCH ASSEMBLY	STEEL	ZINC PLATE, TRIVALENT CHROMATE	UP
PART NUMBER	TYPE OF COMPONENT	MATERIAL	FINISH	HANDLE TYPE

THIRD ANGLE PROJECTION		 CONNECT · CREATE · INNOVATE
INCHES [MM]		
SURFACE AREA	TOLERANCES UNLESS OTHERWISE NOTED ALL DIMENSIONS WITHOUT TOLERANCES ARE FOR REFERENCE ONLY.	DESCRIPTION TL SLIDE LATCH ASSEMBLY
VOLUME		
PROPRIETARY ITEM	PER ASME Y14.5M-1994	SIZE B SYSTEM NX DWG NO. J-TL-05-100 DRAWN BY MJS/RLR DATE 07OCT2005 SCALE 2:1 SHEET 1 OF 1
<small>EXCEPT FOR USES EXPRESSLY GRANTED IN WRITING, INFORMATION DISCLOSED HEREON IS CONFIDENTIAL AND ALL RIGHTS, PATENT AND OTHERWISE, ARE RESERVED BY SOUTHCO, INC.</small>		

6

5

4

3

2

1