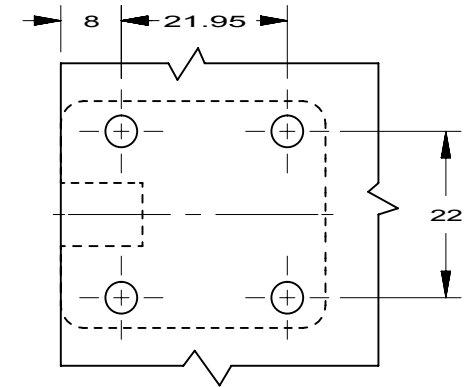
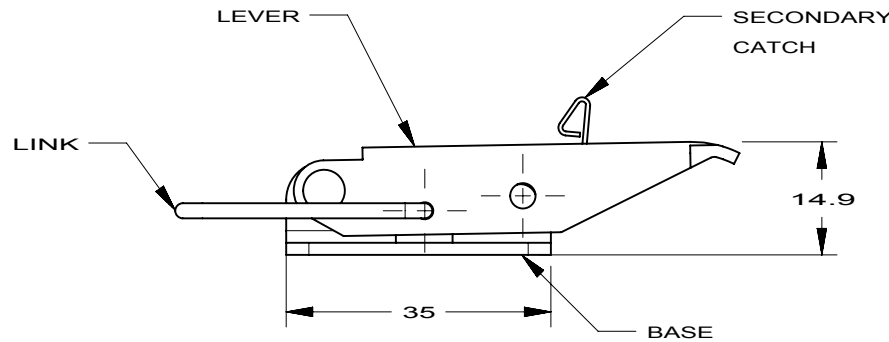
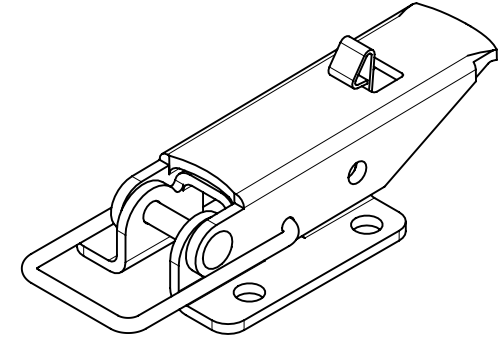
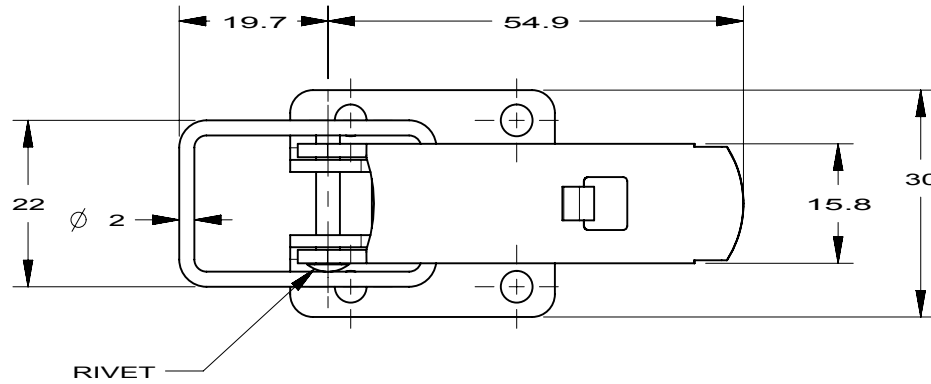


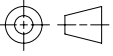
REVISION HISTORY			
REV	DATE	BY	DESCRIPTION
A	30JUN2010	ACH	PRN: P2010-0686



PANEL PREPARATION

NOTE:

MATERIAL AND FINISHES REFERRED TO ON THIS DRAWING ARE FOR REFERENCE ONLY. SEE INDIVIDUAL COMPONENT DRAWINGS FOR FULL SPECIFICATION.

TL-40-111-52	-	-	-	-	-	STAINLESS STEEL / CLEAN
TL-40-111-24	-	-	-	-	-	STAINLESS STEEL ELCTROPOLISHED
TL-40-111-07	-	-	-	-	-	ZINC PLATE TRIVALENT PASSIVATE
OUTHCO PART NUMBER	LEVER	BASE	LINK	RIVET	SECONDARY CATCH	MATL/FINISH
	THIRD ANGLE PROJECTION 		southco [®] CONNECT CREATE INNOVATE			
	MILLIMETERS [IN]					
SURFACE AREA	XXXXXmm ²		DESCRIPTION TL - TOGGLE LATCH ASSEMBLY WITH SECONDARY CATCH			
VOLUME	XXXXXmm ³					
PROPRIETARY ITEM EXCEPT FOR USES EXPRESSLY GRANTED IN WRITING, INFORMATION DISCLOSED HEREON IS CONFIDENTIAL AND ALL RIGHTS, PATENT AND OTHERWISE, ARE RESERVED BY SOUTHCO, INC.			TOLERANCES UNLESS OTHERWISE NOTED		SIZE SYSTEM	
			ALL DIMENSIONS WITHOUT TOLERANCES ARE FOR REFERENCE ONLY.		DWG NO. J-TL-40-111-XX	
			PER ASME Y14.5M-1994		DRAWN BY ACH	DATE 30JUN2010
					SCALE 1:1	SHEET 1 OF 1