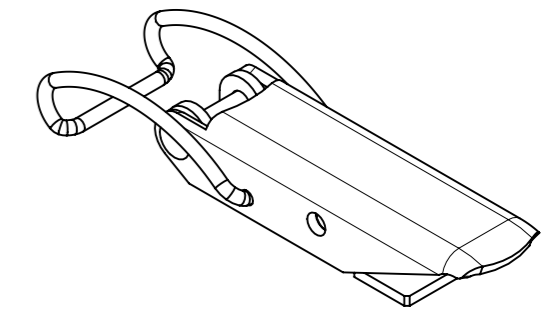
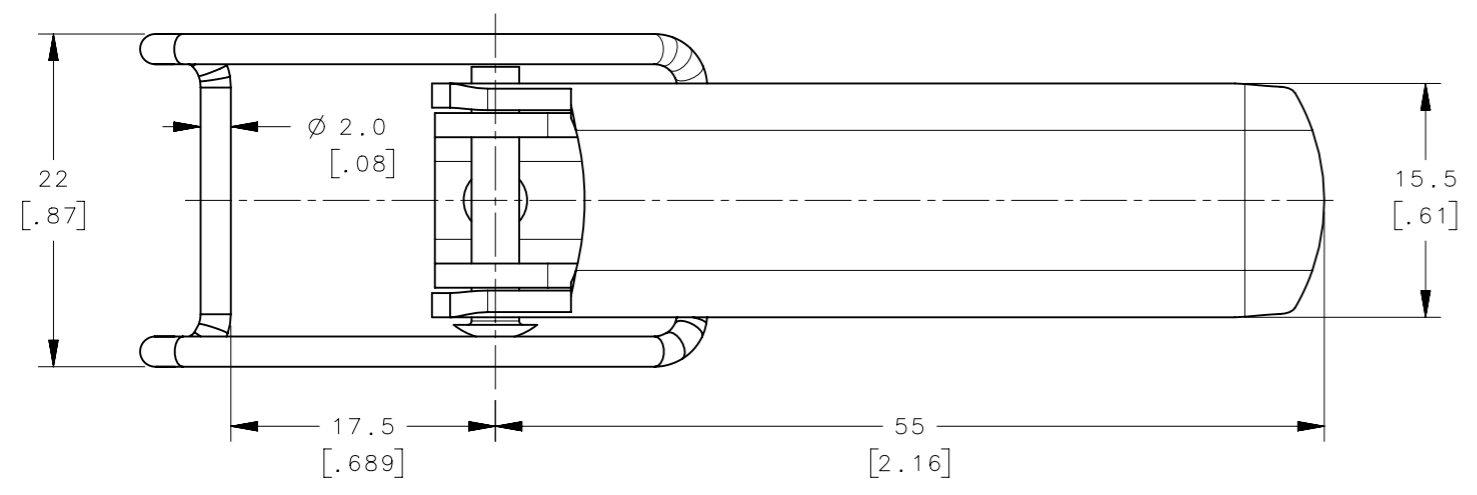
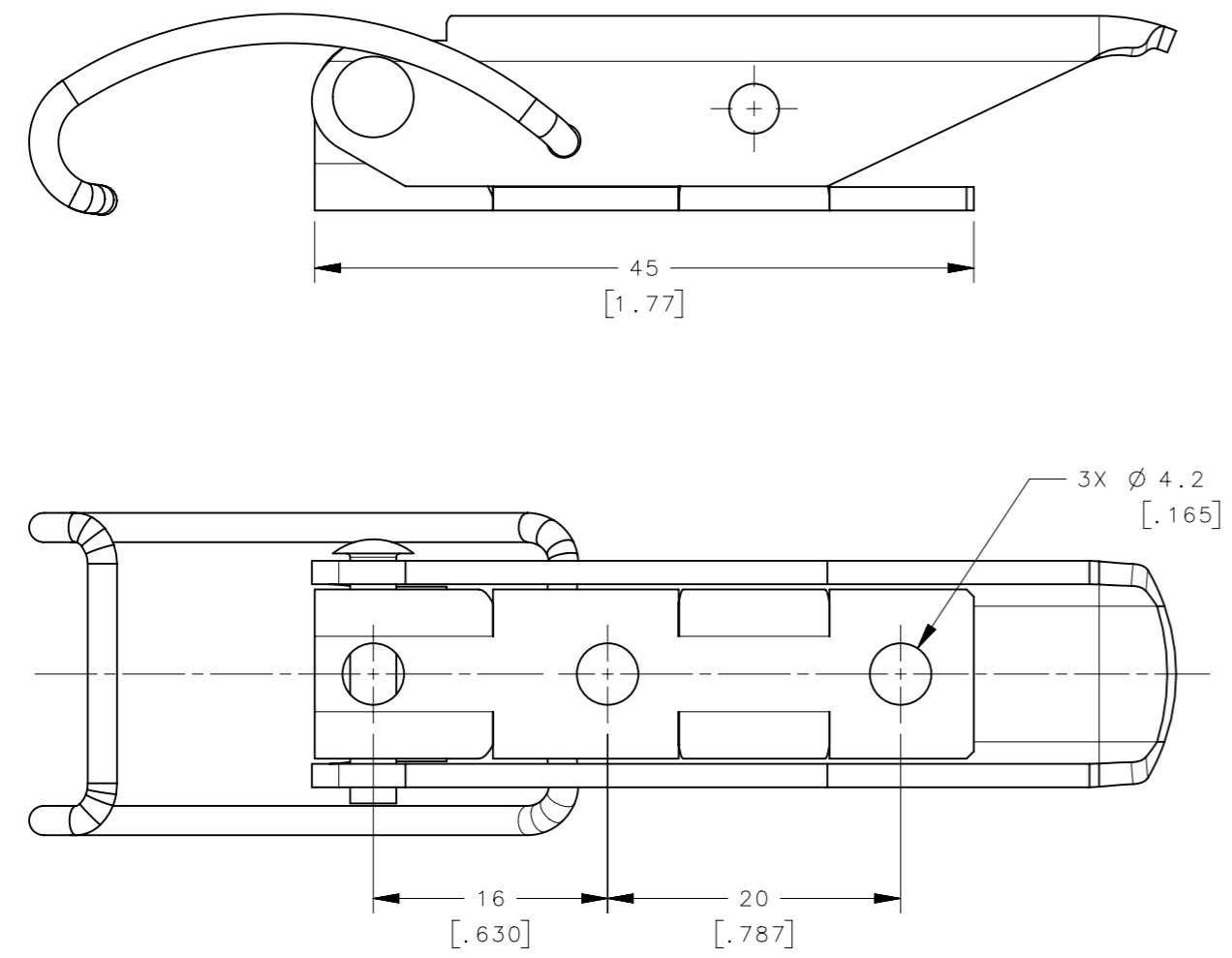
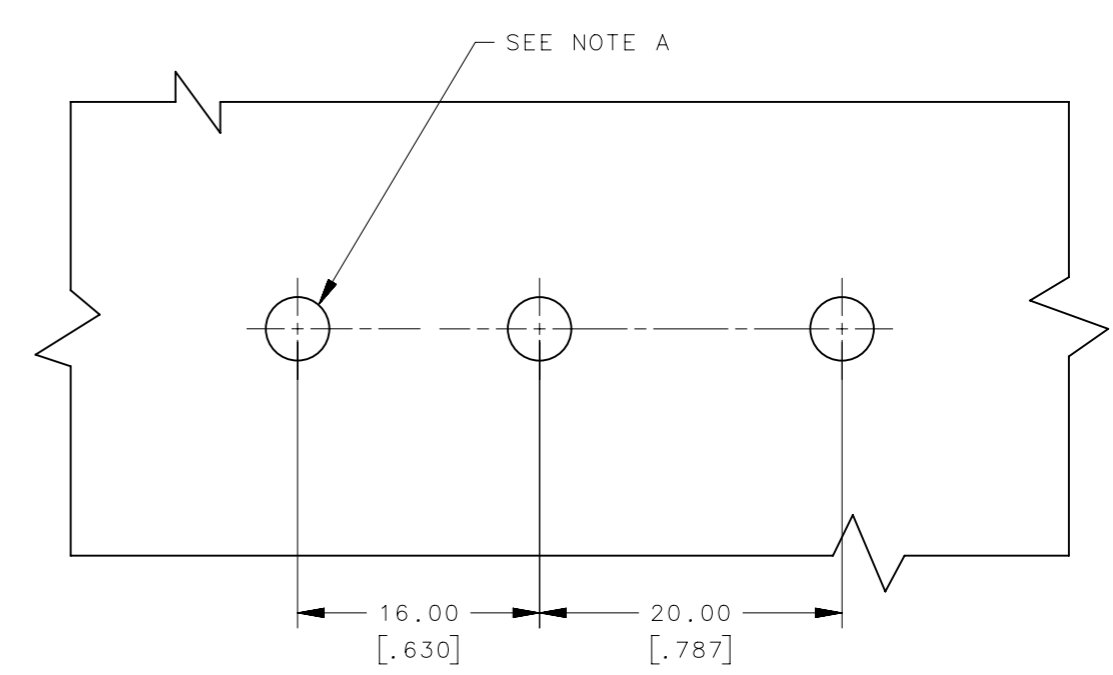


REVISION HISTORY			
REV	DATE	BY	DESCRIPTION
A	20NOV2015	CMS/NJF	PRN: P2015-2345



PANEL PREPARATION



TL-40-204-52	304 STAINLESS STEEL	PASSIVATED
TL-40-204-24	316 STAINLESS STEEL	ELECTROPOLISHED
TL-40-204-13	CARBON STEEL	ZINC PLATE & BLACK PASSIVATE
TL-40-204-07	CARBON STEEL	ZINC PLATE & TRIVALENT CHROMATE
PART NUMBER	MATERIAL	FINISH
THIRD ANGLE PROJECTION		southco [®] CONNECT • CREATE • INNOVATE
MILLIMETERS [IN]		
TOLERANCES UNLESS OTHERWISE NOTED		DESCRIPTION TOGGLE LATCH ASSEMBLY
ALL DIMENSIONS WITHOUT TOLERANCES ARE FOR REFERENCE ONLY.		SIZE A3 SYSTEM NX DWG NO. J-TL-40-204
PROPRIETARY ITEM EXCEPT FOR USES EXPRESSLY GRANTED IN WRITING, INFORMATION DISCLOSED HEREON IS CONFIDENTIAL AND ALL RIGHTS, PATENT AND OTHERWISE, ARE RESERVED BY SOUTHCO, INC.	PER ASME Y14.5M-1994	DRAWN BY CMS/NJF DATE 20NOV2015 SCALE 2:1 SHEET 1 OF 1

NOTES:

A. INSTALL ASSEMBLY WITH M4 (NO.6) ROUND HEAD SCREWS (NOT SUPPLIED) OR 4 (.156) RIVETS.