

southco[®]

PROPRIETARY ITEM - EXCEPT FOR USES EXPRESSLY GRANTED IN WRITING INFORMATION DISCLOSED HEREON IS CONFIDENTIAL AND ALL RIGHTS PATENT AND OTHERWISE ARE RESERVED BY SOUTHCO, INC.

VERSA LATCH 200

DATE	DRAWN	CHKD	SCALE	DRAWING NUMBER
7NOV96	LBT		1 : 1	J-V2-0025

REV.	DATE	DRAWN	REVISION	ASSEMBLY	MATERIAL	FINISH		
A	13MAR97	DHN	PRN: V2-28	V2-0025-07	SEE NOTE A	SEE NOTE B		
B	23SEPT97	ESK	PRN: V2-39	V2-0025-52	STAINLESS STEEL	NATURAL		
C	14NOV97	ESK	PRN: V2-39A [DELETED P/N V2-0025-75; ADDED P/N V2-0025-90]	V2-0025-69	SEE NOTE A	E-COAT, BLACK		
D	17JUN99	JGK	PRN: V2-39B (ADDED P/N V2-0025-75)					
E	09MAR99	LRB	PRN: V2-50					
F	18JAN2017	CMS/MDW	PRN: P2017-0149					

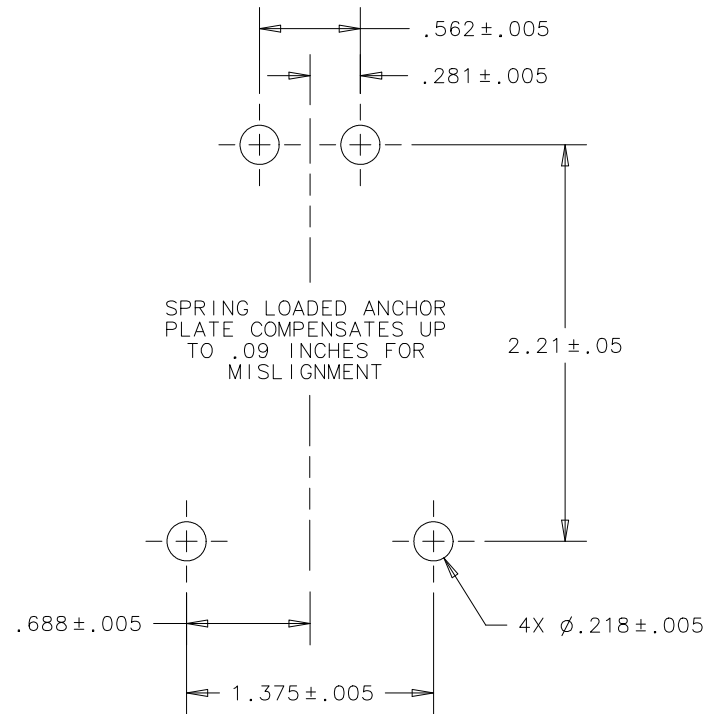
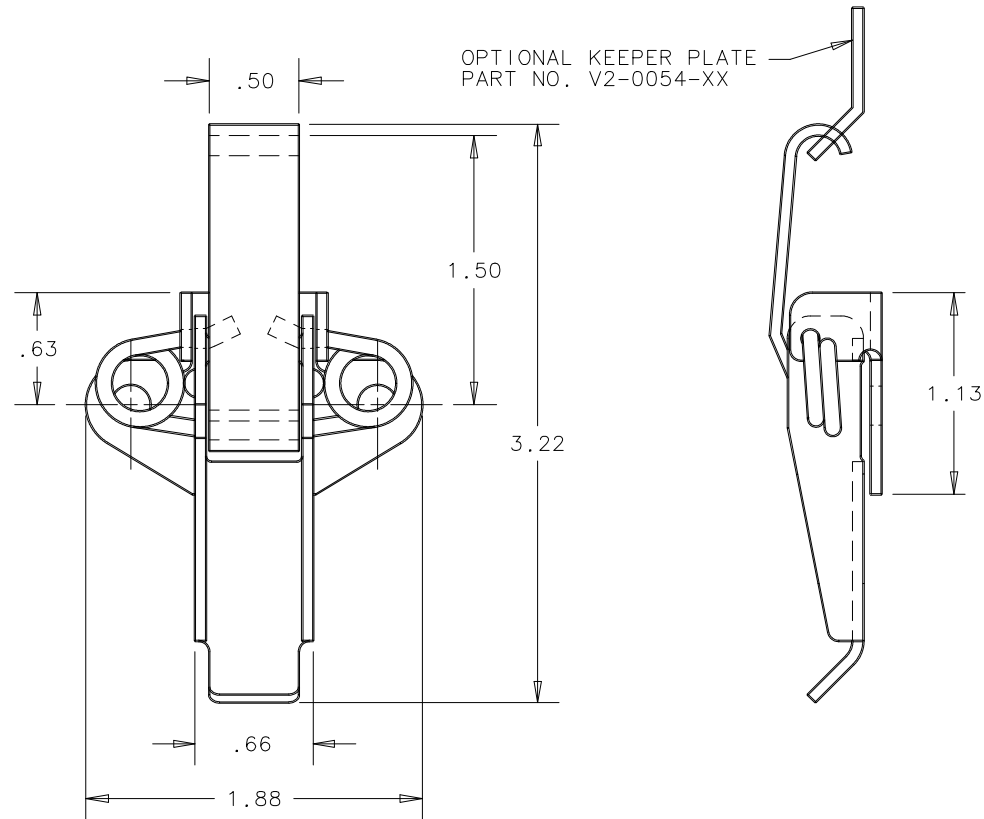
ALL DIMENSIONS WITHOUT TOLERANCES ARE FOR REFERENCE ONLY.

THIRD ANGLE PROJECTION

A4 PAPER SIZE

NOTES:

A - MATERIAL: ANCHOR PLATE, LEVER AND BLADE ARE CARBON STEEL, SPRINGS ARE SPRING STEEL.
 B - FINISH: ZINC PLATE, BRIGHT CHROMATE DIP.



SUGGESTED
PANEL PREPARATION