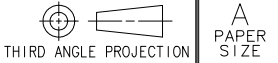
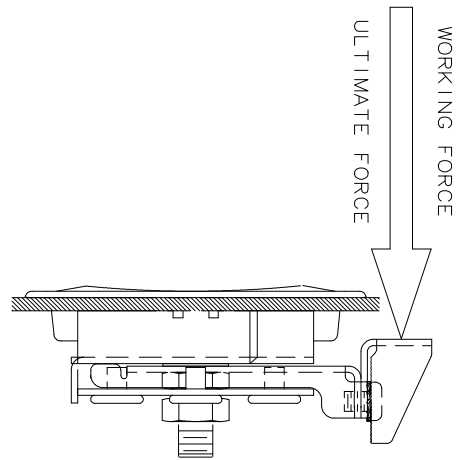
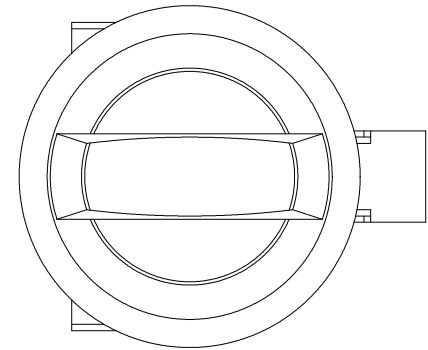


REV	DATE	DRAWN/CHKD	DESCRIPTION						
A	09APR2002	GDM	UPDATE FORMAT						



SOUTHCO PERFORMANCE GUIDELINES
 THE PERFORMANCE GUIDELINES SHOWN ON THIS PAGE ARE SUPPLIED AS A GENERAL GUIDE ONLY. AS CONDITIONS VARY WITH EACH APPLICATION AND METHOD OF INSTALLATION, STRENGTH DATA GIVEN IS FOR FAILURE OF THE PRODUCT OR FOR SUFFICIENT DEFORMATION TO MAKE PRODUCT INOPERABLE. NO SAFETY FACTOR HAS BEEN APPLIED IT IS RECOMMENDED THAT THE USER REQUEST A PRODUCT SAMPLE FOR TESTING TO DETERMINE THE SUITABILITY OF THE PRODUCT FOR THE PURPOSE INTENDED AND USER'S PARTICULAR APPLICATION.



No. 01 FLUSH CUP LATCH
FLUSH HANDLE ASSEMBLY

PART No.	WORKING FORCE N/Lbf	ULTIMATE FORCE N/Lbf
01-13-XX	220/50	710/160
01-33-XX		

(A) WORKING FORCE is the maximum force that the product will withstand without affecting the operation or appearance of the product.

(B) The average ULTIMATE FORCE causes failure of the product or sufficient deformation to make the product inoperable.

(1) Failure occurred due to excessive deformation of the pawl.