

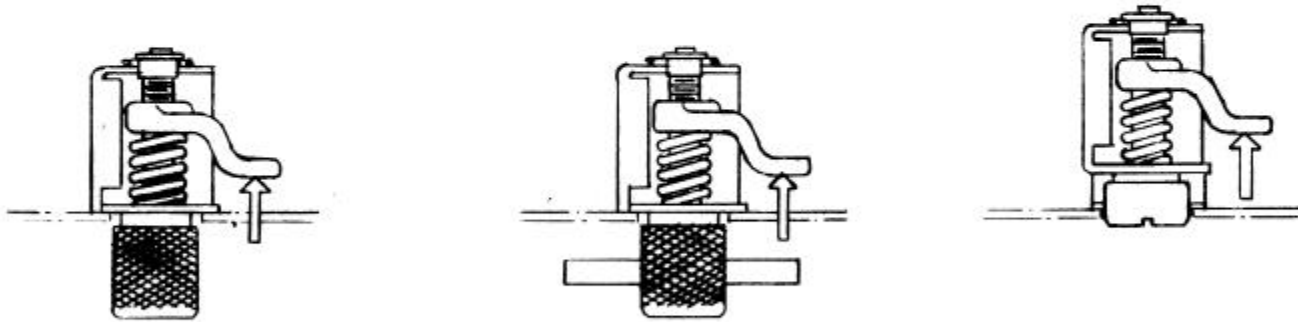
DATE	10-3-72
BRANCH	pack
CHRG	
SCALE	
DRAWING NUMBER	TD-14-1

R.S.	DATE	APP
A		
B		
C		
D		

General Performance Guidelines

The information shown on this page was determined under one set of test conditions and is supplied as a general guide only, as conditions vary with each application. Strength data given is for failure of the product or for sufficient deformation to make the product inoperable. No safety factor has been applied. It is recommended that the user test the product for his particular application.

DRAWING NUMBER
TD-14-1



N#14 ADJUSTABLE-GRIP LATCH

FASTENERS YIELDED WHEN A LOAD OF 200 lbs WAS APPLIED IN THE DIRECTION OF THE ARROW. HOWEVER FASTENER COULD NOT BE UNLATCHED WITH THE LOADS INDICATED IN THE FOLLOWING TABLE.

HEAD TYPE	APPLIED LOAD AT WHICH FASTENER COULD NOT BE UNLATCHED
7/8" DIA KNURLED HEAD (HAND OPERATED)	30 lbs.
2 1/2" T-BAR HEAD	70 lbs.
7/8" DIA SLOTTED HEAD (FLUSH TYPE)	125 lbs.

southco® N#14 FASTENER

PROPRIETARY ITEM. ENTRY FOR THIS EXPRESSLY GRANTED IN WRITING IN INFORMATION DISCLOSED HEREIN IS CONFIDENTIAL AND ALL RIGHTS, PATENT AND OTHERWISE ARE RESERVED BY SOUTHCO, INC.